

[54] DRINKING CUP LID

[56]

References Cited

U.S. PATENT DOCUMENTS

[76] Inventors: Kenneth M. Swade, 11035 Gross Dr., Parma, Ohio 44130; John G. Bradner, 8812 Webster Rd., Strongsville, Ohio 44136

3,173,574	3/1965	Goldsmith	220/306
3,401,825	9/1968	Weiss	220/306
3,410,436	11/1968	Foss et al.	D9/254
3,822,030	7/1974	Tanzer	229/43
3,927,794	12/1975	Erdman	220/90.4
4,113,135	9/1978	Yamazaki	220/90.4

[\*\*] Term: 14 Years

Primary Examiner—Joel Stearman  
Assistant Examiner—Carmen H. Vales  
Attorney, Agent, or Firm—Robert Bruce Henn

[21] Appl. No.: 901,758

[57] CLAIM

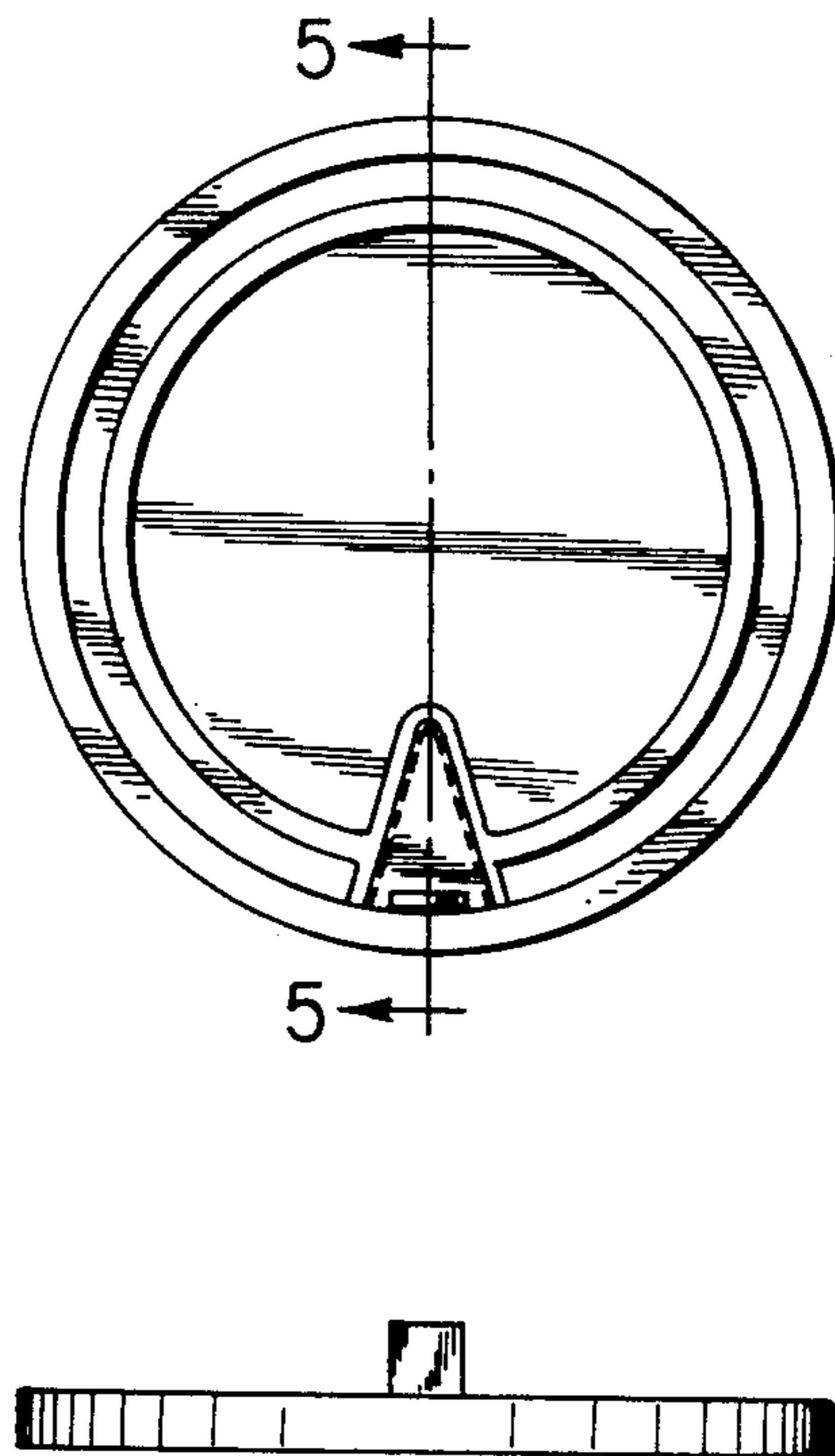
The ornamental design for a drinking cup lid, as shown and described.

[22] Filed: May 1, 1978

DESCRIPTION

[51] Int. Cl. .... D09—99  
 [52] U.S. Cl. .... D9/267  
 [58] Field of Search ..... D9/253, 254, 261, 262, D9/265, 267; D7/16, 17, 39, 40, 131; 206/217; 215/200, 211, 215, 216, 305, 316, 317, 321, 324, 325, 327, 353, 354, DIG. 7; 220/200, 306, 307, 309, 352, 356; 229/43

FIG. 1 is a top plan view of a drinking cup lid showing our new design;  
 FIG. 2 is a side elevational view thereof;  
 FIG. 3 is a front elevational view thereof;  
 FIG. 4 is a bottom plan view thereof; and  
 FIG. 5 is a sectional view taken along line 5—5 of FIG. 1.



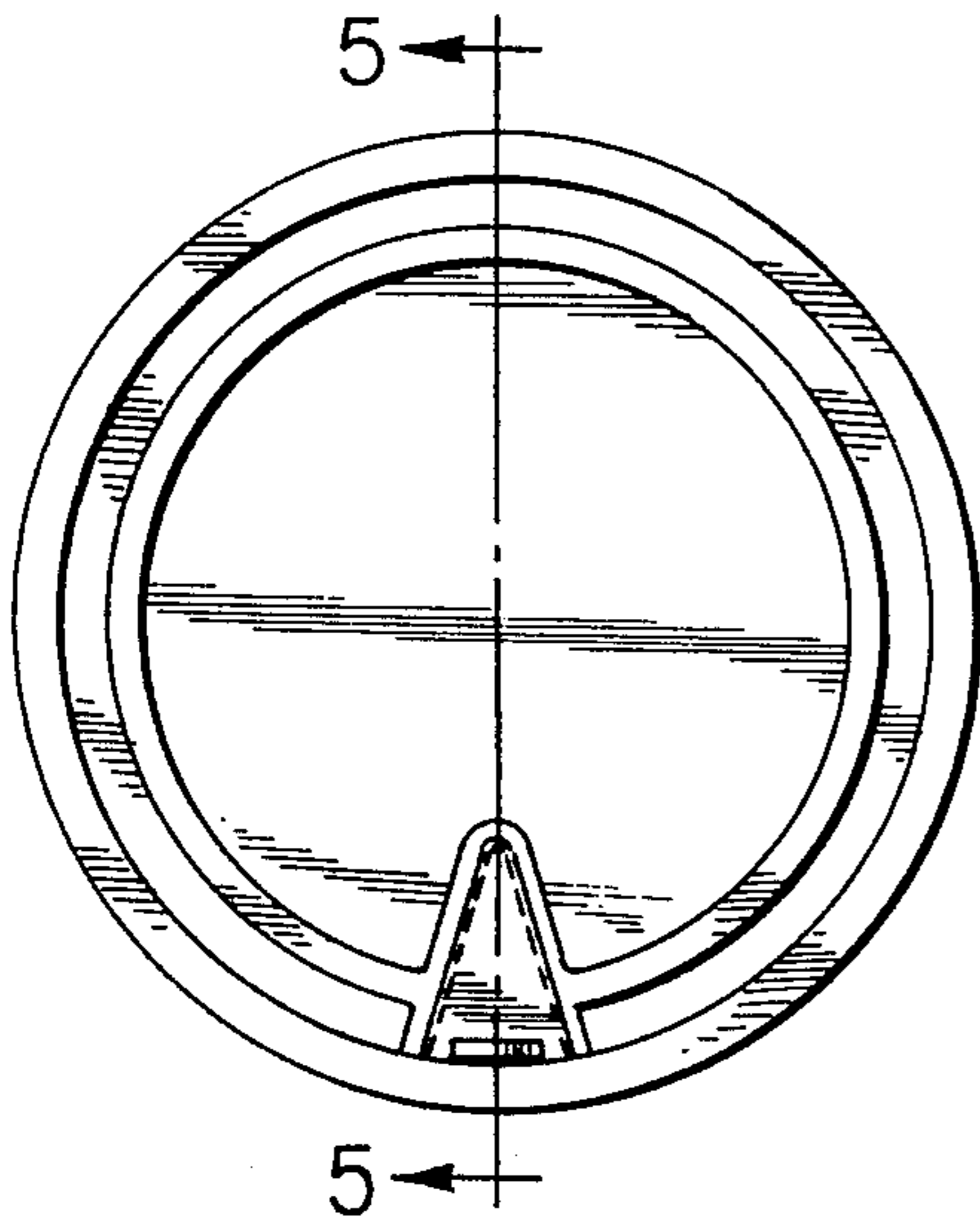


FIG. 1



FIG. 2



FIG. 3

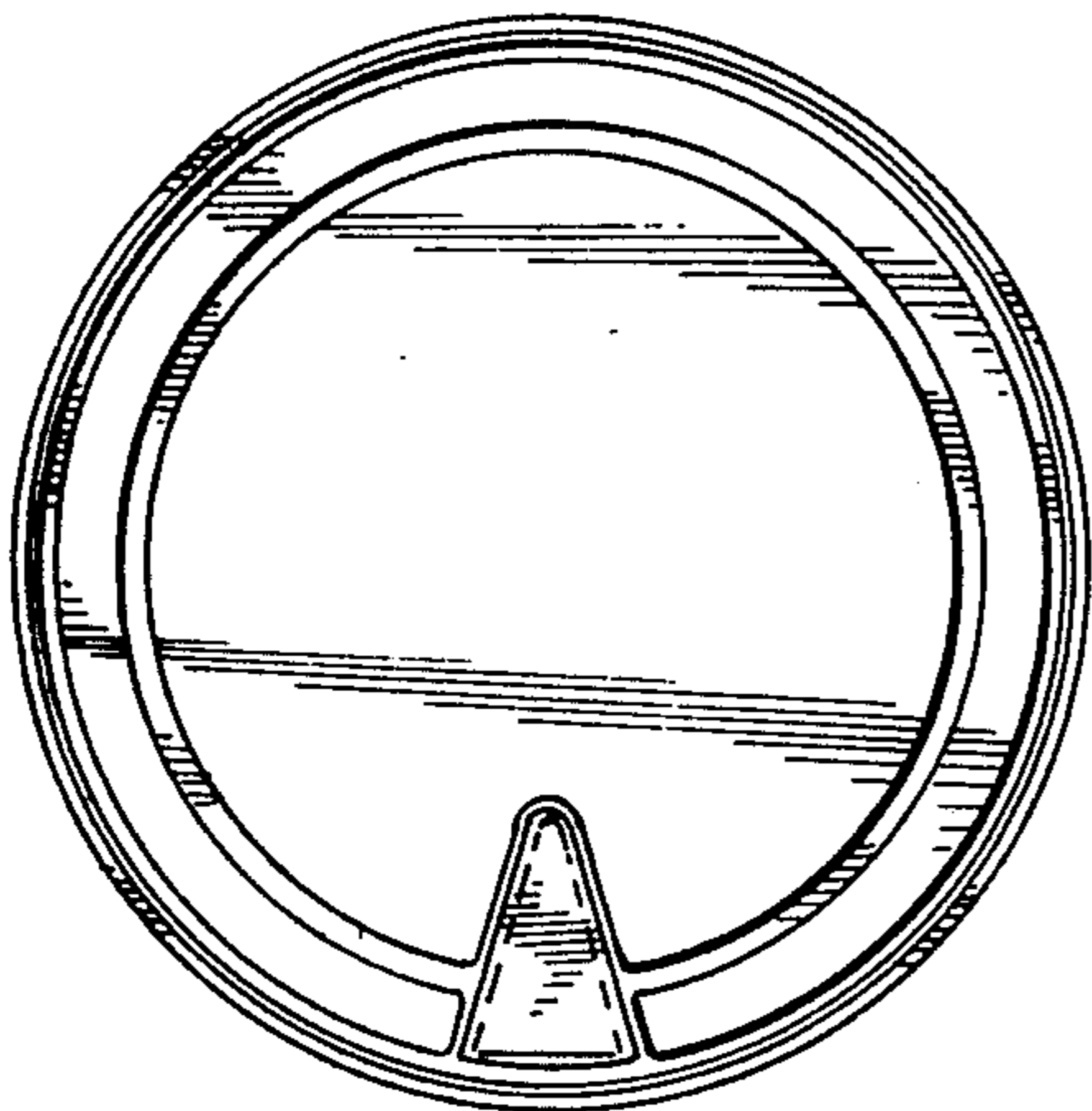


FIG. 4



FIG. 5