

[54] PORTABLE POWERED SANDER 3,496,680 2/1970 Hutchins ..... 51/170 T  
 [75] Inventor: Alma A. Hutchins, Pasadena, Calif. 3,824,745 7/1974 Hutchins ..... 51/170 T  
 [73] Assignee: Hutchins Manufacturing Company, 3,862,521 1/1975 Isaksson ..... 51/170 T  
 Pasadena, Calif. 4,102,084 7/1978 Bloomquist ..... 51/170 MT

[\*\*] Term: 14 Years

[21] Appl. No.: 872,049

[22] Filed: Jan. 24, 1978

[51] Int. Cl. .... D08-05; D15-09

[52] U.S. Cl. .... D8/62; D15/124

[58] Field of Search ..... D8/62; 51/170 T, 170 MT; D15/124

[56] References Cited

U.S. PATENT DOCUMENTS

2,156,824 5/1939 Toro et al. .... 51/170 T

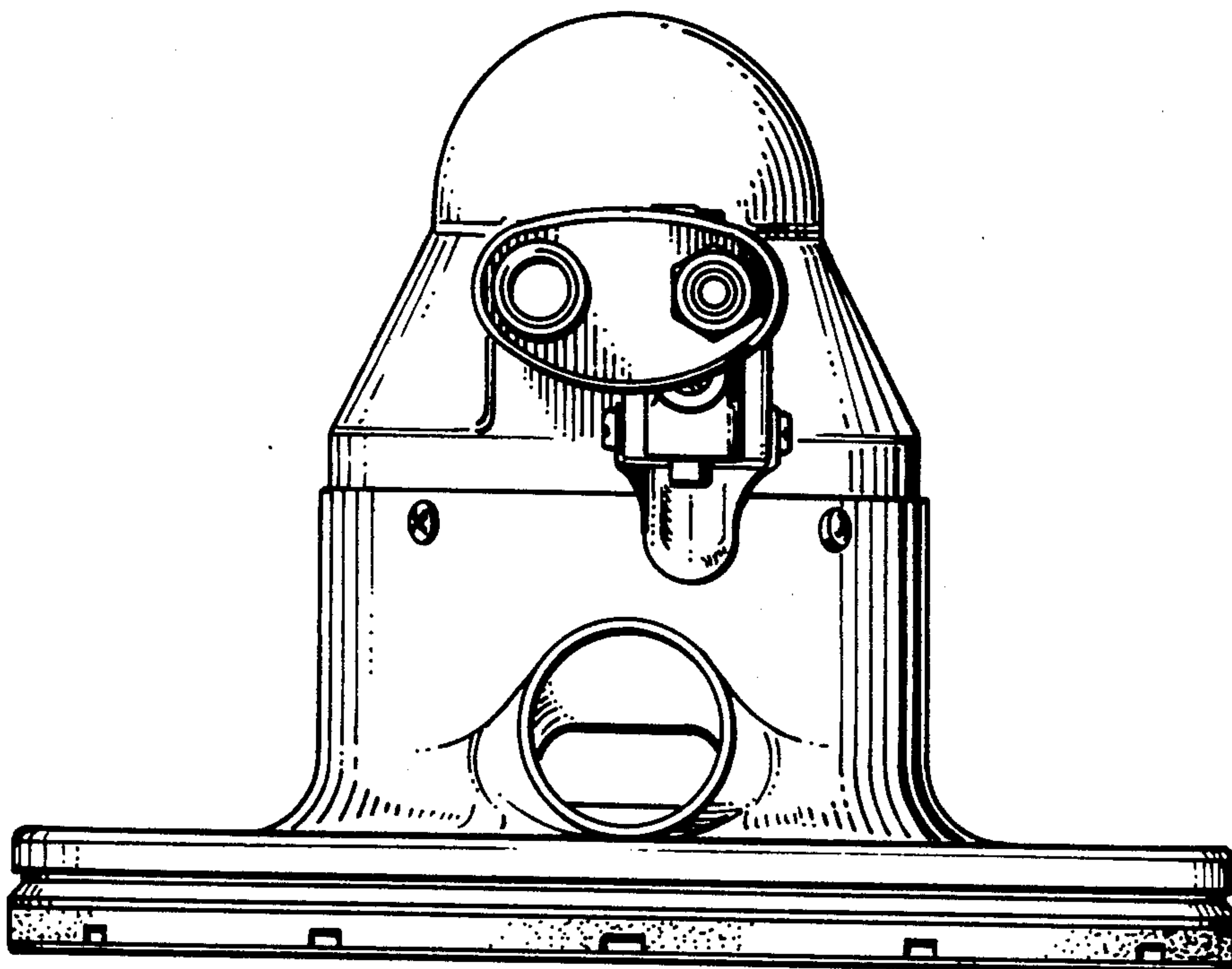
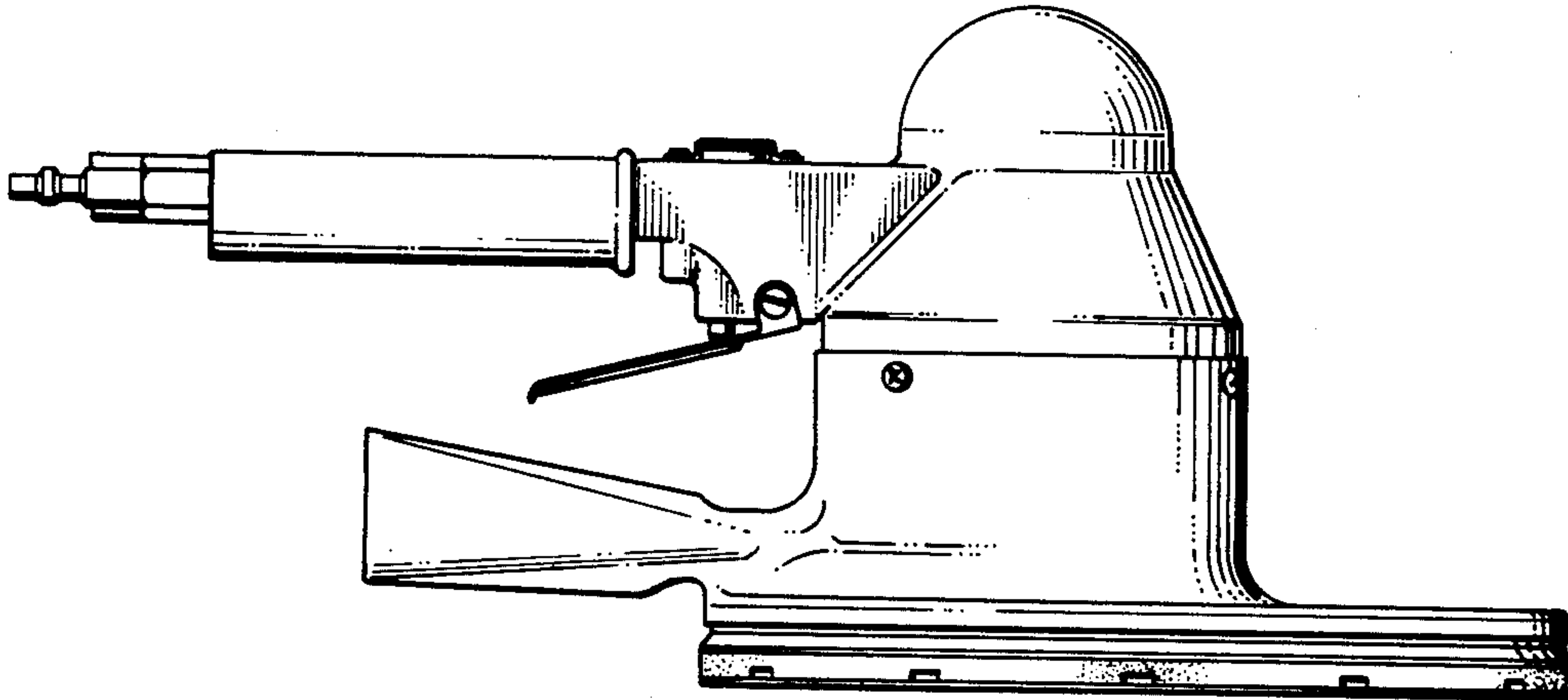
Primary Examiner—W. Stallard  
Attorney, Agent, or Firm—William P. Green

[57] CLAIM

The ornamental design for a portable powered sander, as shown.

DESCRIPTION

FIG. 1 is a left side elevational view of a portable powered sander showing my new design; FIG. 2 is a plan view of the sander; FIG. 3 is a right side elevational view of the sander; FIG. 4 is a bottom view; FIG. 5 is a rear view; and FIG. 6 is a front view.



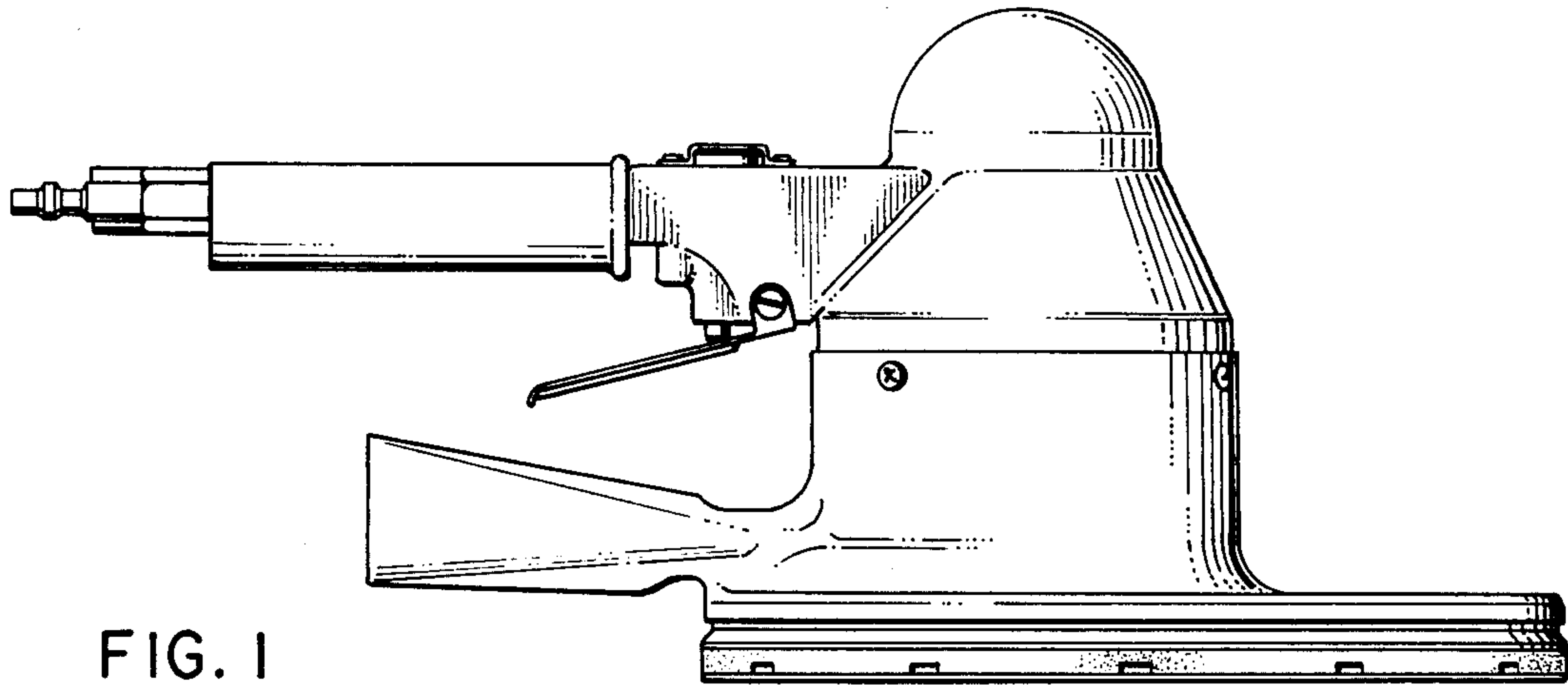


FIG. 1

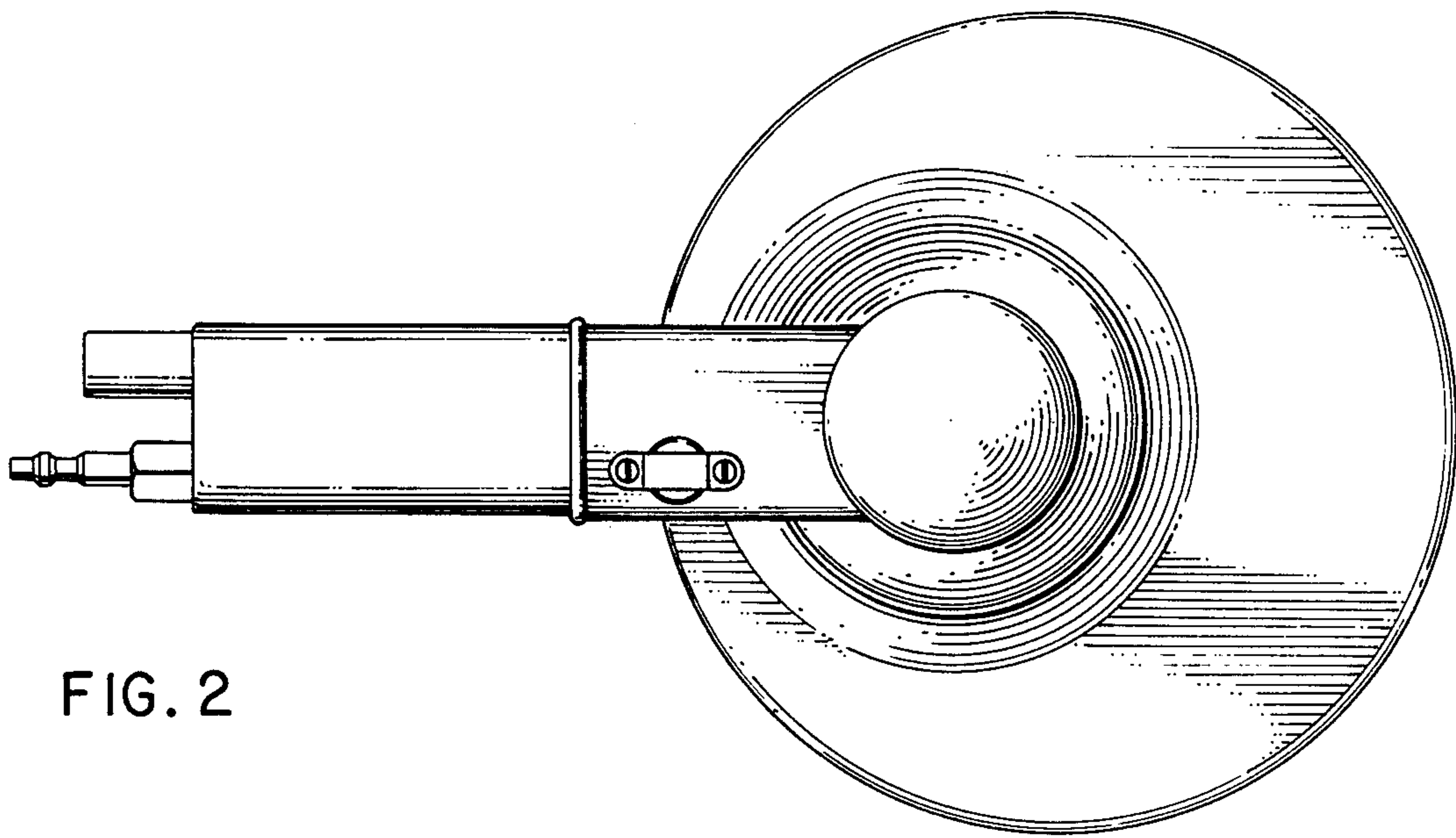


FIG. 2

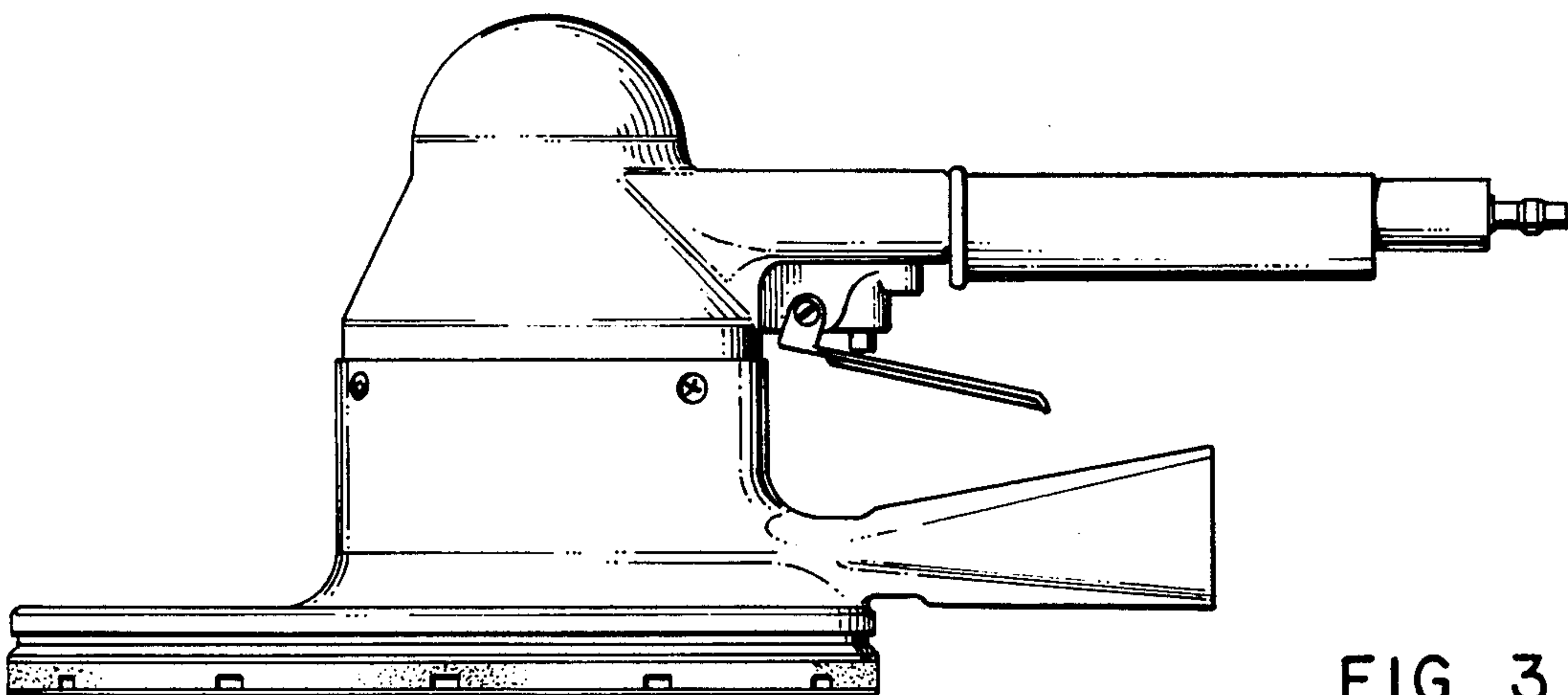


FIG. 3

FIG. 4

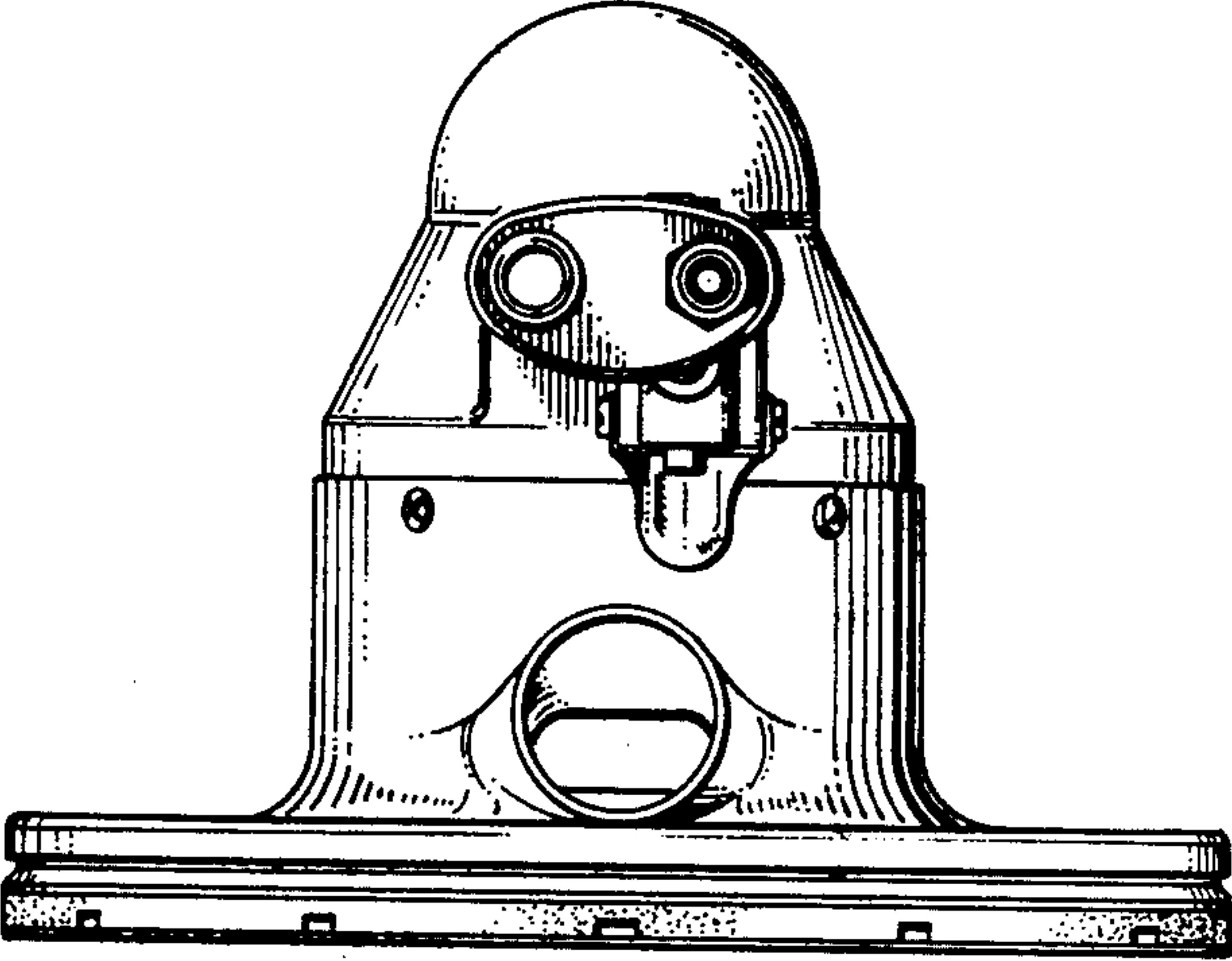
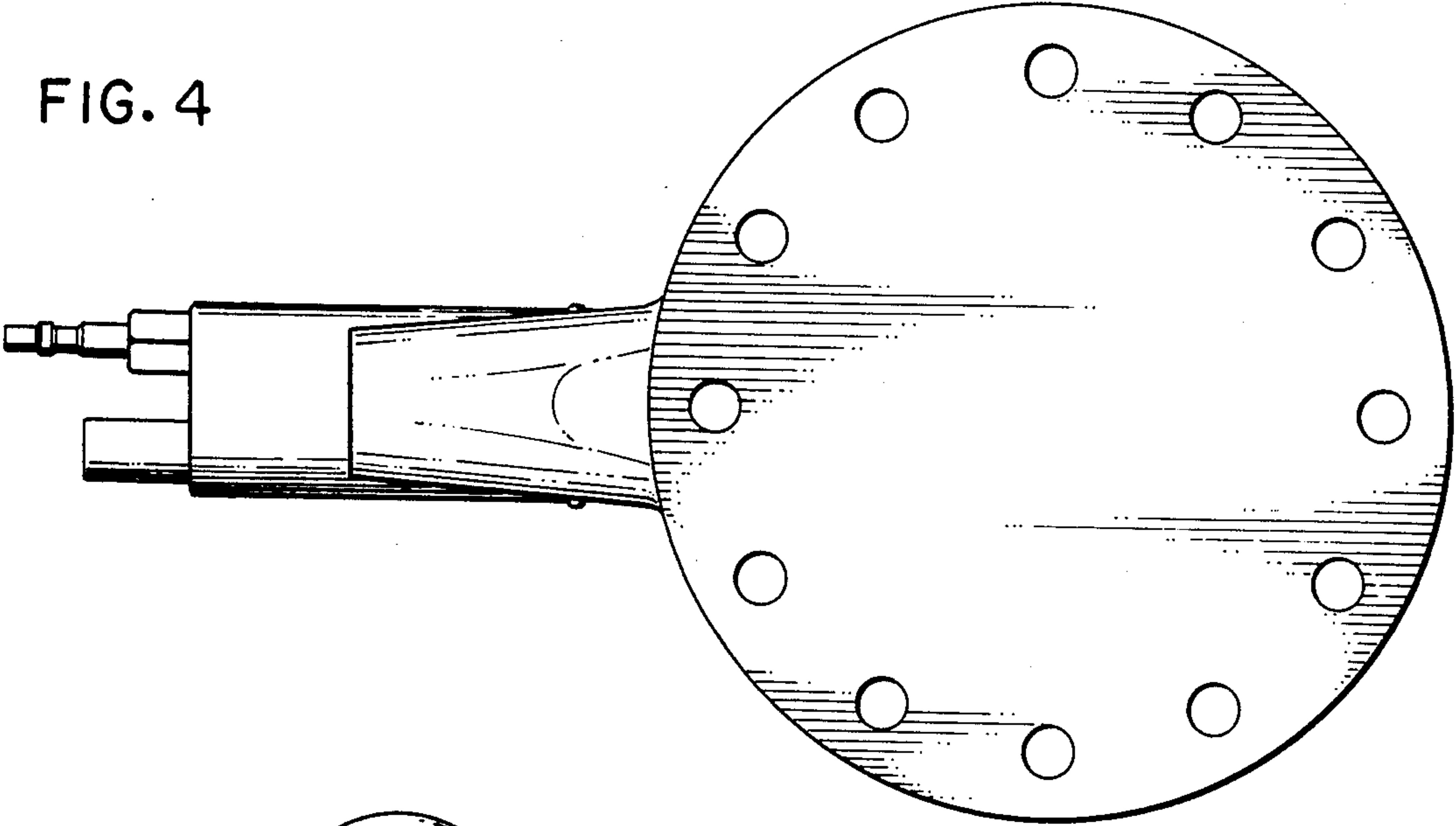


FIG. 5

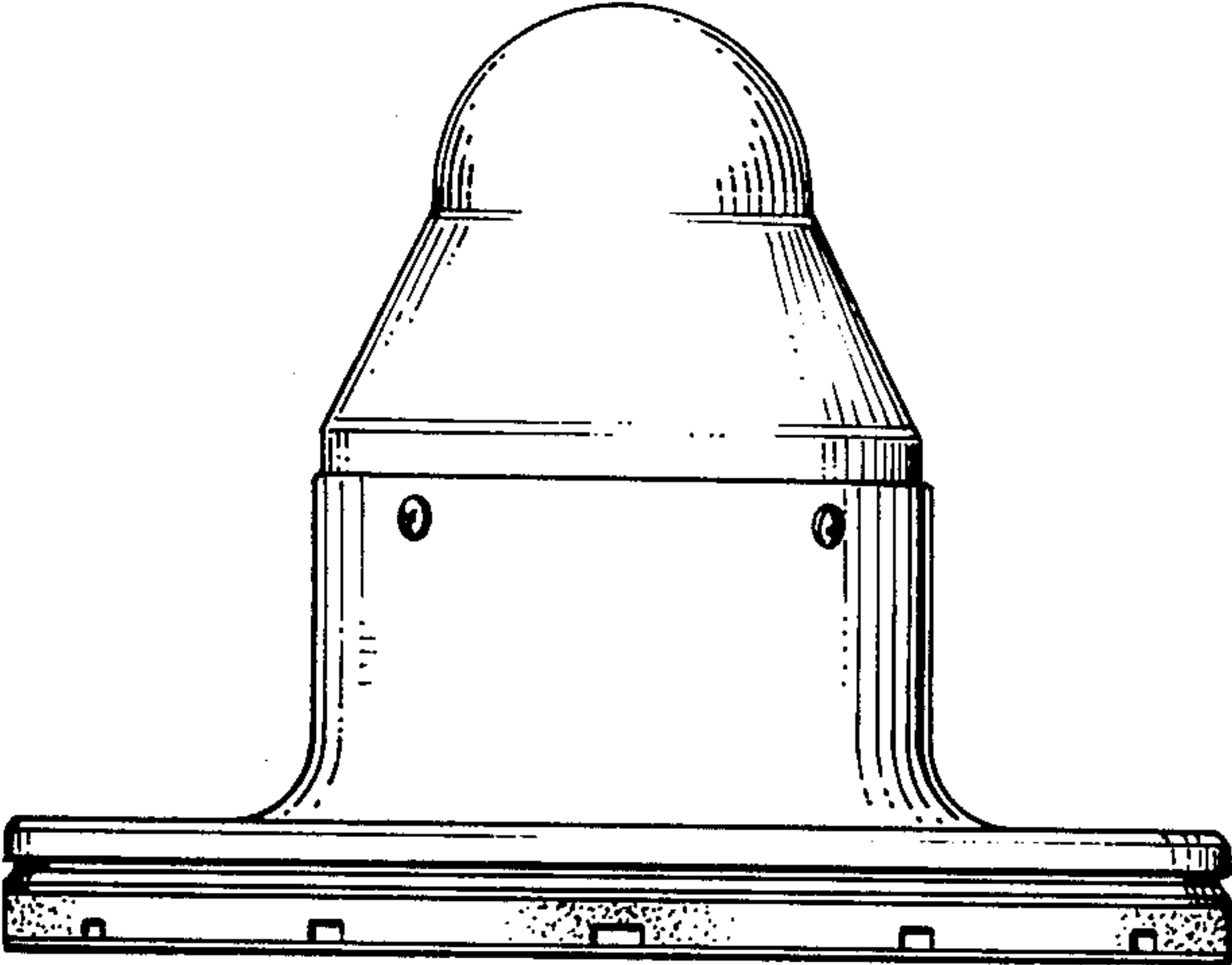


FIG. 6