

[54] GARDEN RAKE

[76] Inventor: George F. Brock, Jr., 1025 Fallen Leaf Rd., Arcadia, Calif. 91006

[\*\*] Term: 14 Years

[21] Appl. No.: 915,945

[22] Filed: Jun. 15, 1978

[51] Int. Cl. .... D8-05

[52] U.S. Cl. .... D8/13

[58] Field of Search ..... D8/13; 56/400.17, 400.16, 56/400.21

[56] References Cited

U.S. PATENT DOCUMENTS

D. 233,305	10/1974	Eads	.....	D8/13
D. 248,612	7/1978	Oas	.....	D8/13
2,716,857	9/1955	Melvin	.....	56/400.17
2,720,745	10/1955	Melvin	.....	D8/13 X

OTHER PUBLICATIONS

Dalton Manufacturing Co., Brochure, Model D1-22, Lawn Rake.

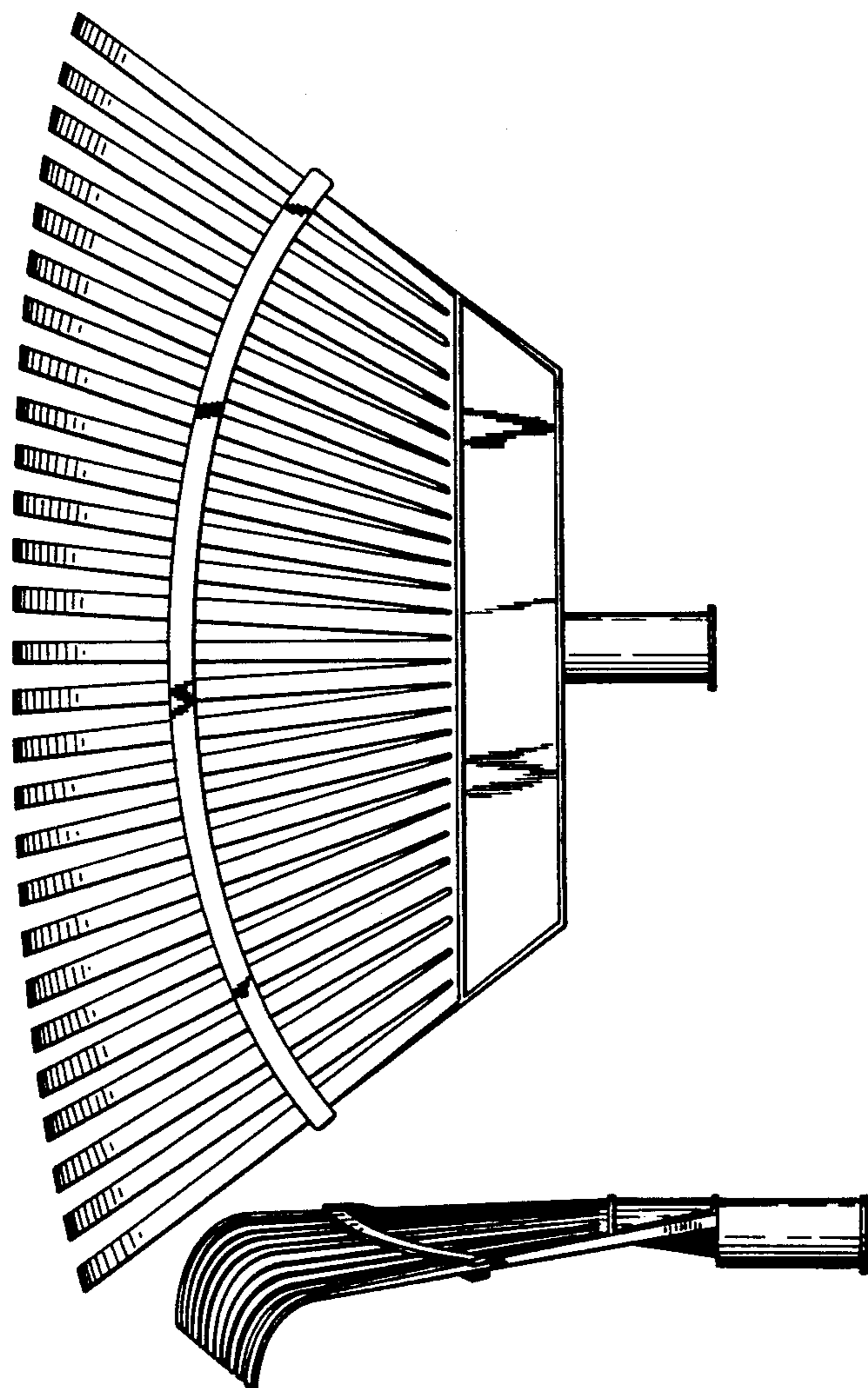
Primary Examiner—Bernard Ansher  
Attorney, Agent, or Firm—Donald D. Mon

[57] CLAIM

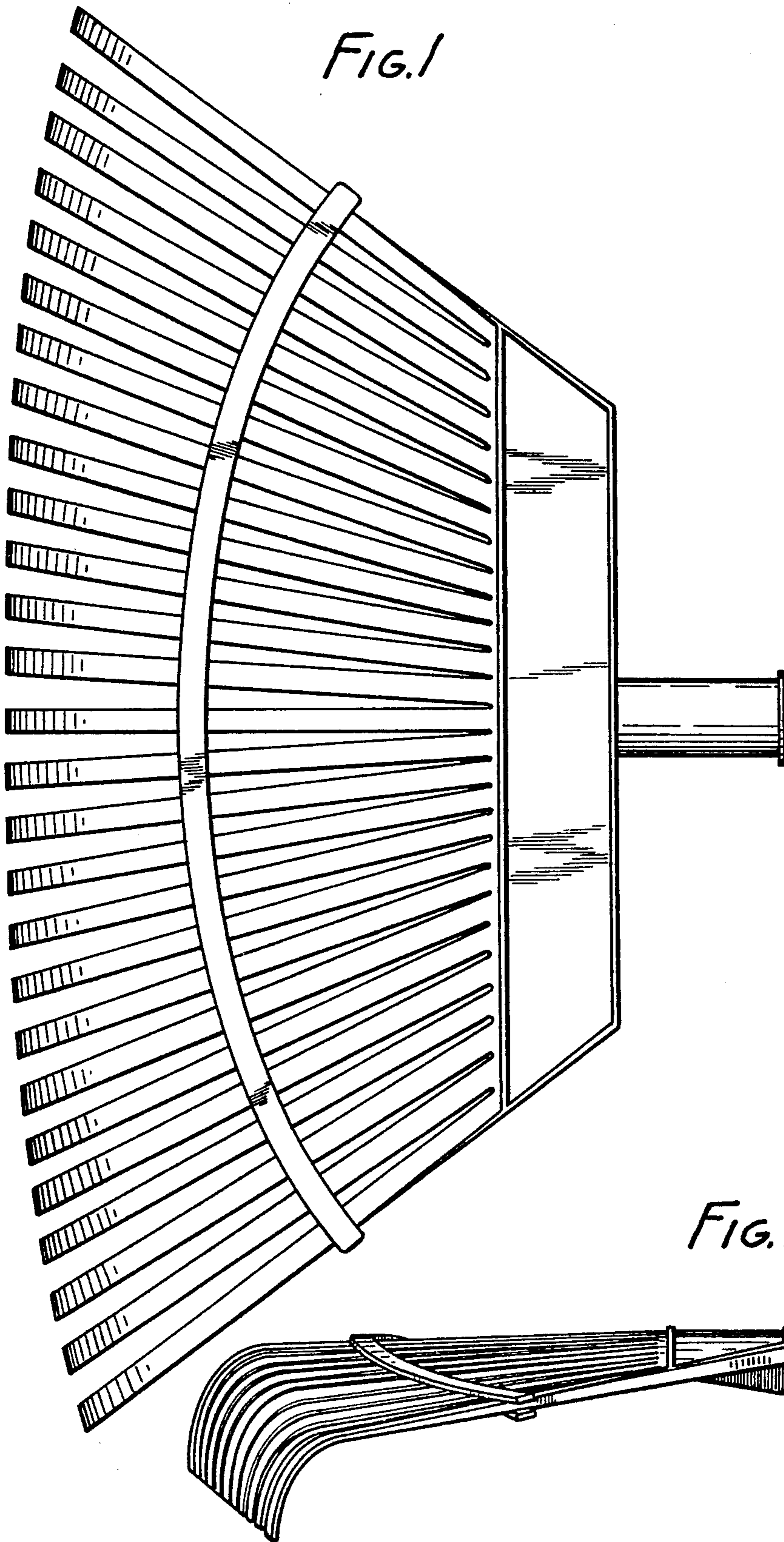
The ornamental design for a garden rake, as shown and described.

DESCRIPTION

FIG. 1 is a top plan view of a garden rake showing my new design;  
FIG. 2 is a bottom plan view of FIG. 1, showing one side of the rake; the other side is the mirror image of FIG. 2;  
FIG. 3 is a rear view of FIG. 1, showing the under surface of the rake; and  
FIG. 4 is a right hand side view of FIG. 1.



*FIG. 1*



*FIG. 2*

FIG. 3

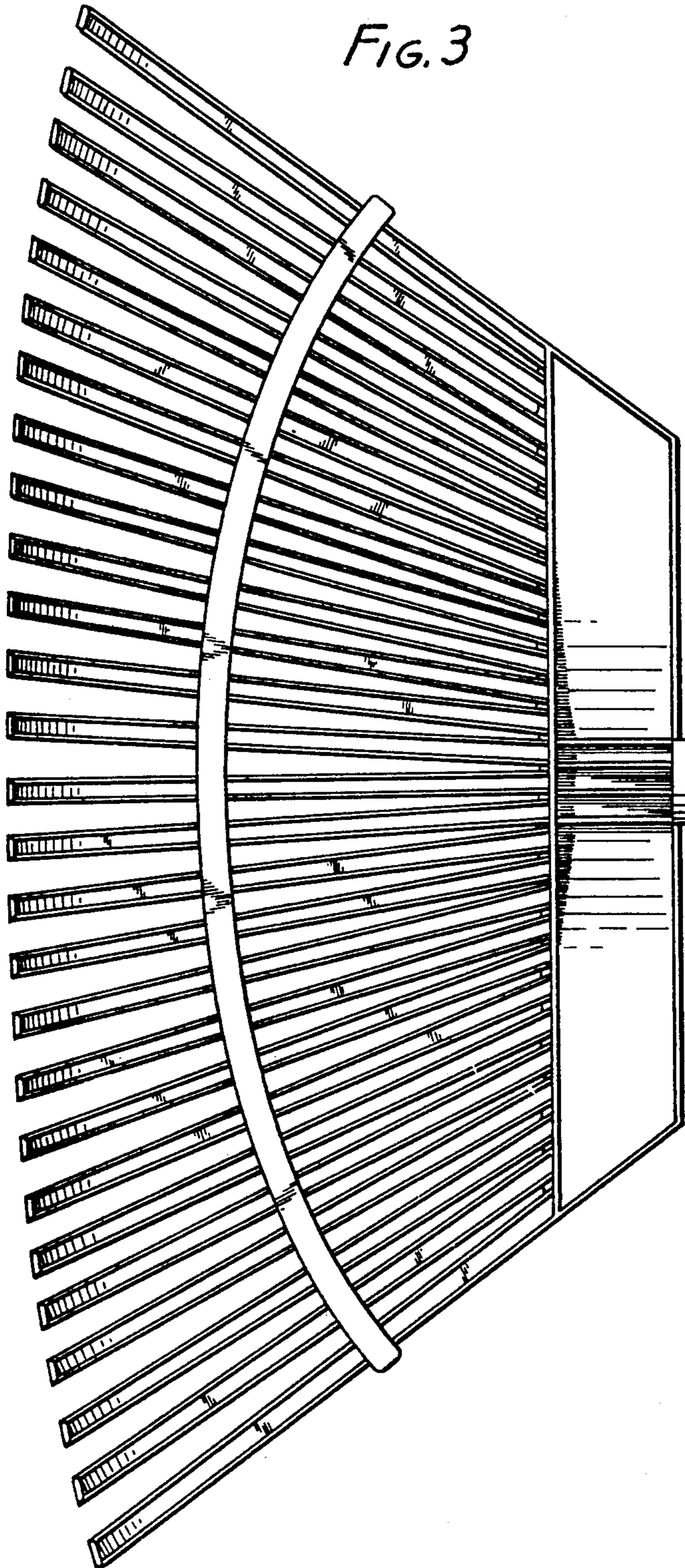


FIG. 4

