

[54] TOASTING RACK

[76] Inventors: **Walter C. Rein; Anthony H. Tygeson,**
both of 1801 Avenue of the Stars,
Suite 200, Los Angeles, Calif. 90067

[**] Term: **14 Years**

[21] Appl. No.: **858,673**

[22] Filed: **Dec. 8, 1977**

[51] Int. Cl. **D7-02**

[52] U.S. Cl. **D7/92; D7/130;**
D7/136; 99/385

[58] Field of Search **D7/92, 91, 93, 96, 41,**
D7/136, 196, 213; D15/104, 106; 99/385, 389,
391, 447, 449, 450; 126/274

[56]

References Cited

U.S. PATENT DOCUMENTS

D. 752,497	2/1904	Wilson	D7/92
1,216,525	2/1917	Weaver	99/449
2,155,623	4/1939	Strause	99/385
2,402,883	6/1946	Gavalis	D7/96 X
2,546,795	3/1951	Steckbauer	99/385
3,867,922	2/1975	Dahlquist	126/274

Primary Examiner—Donald B. Moyer
Attorney, Agent, or Firm—John B. Young

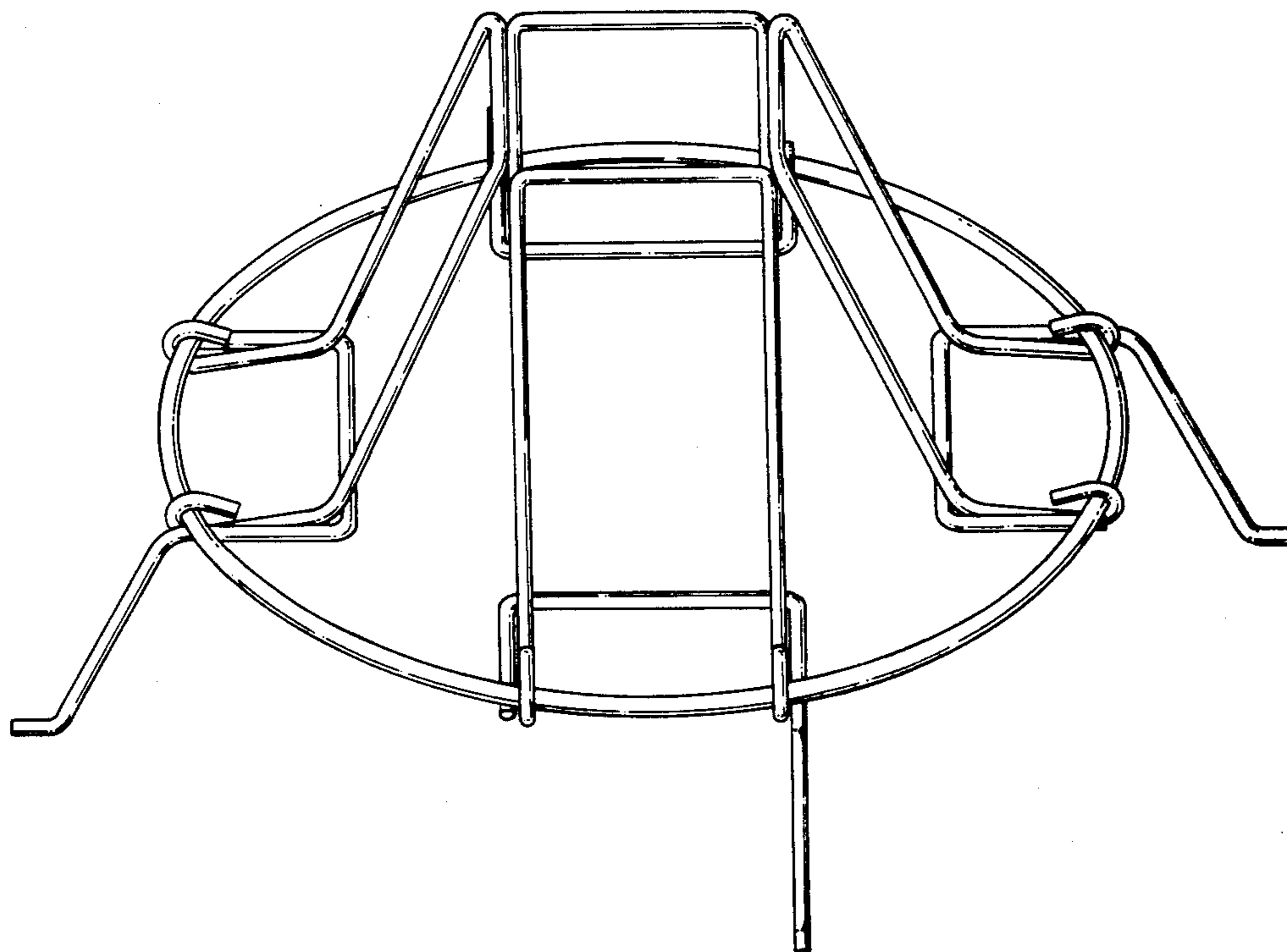
[57]

CLAIM

An ornamental design for a toasting rack, as shown.

DESCRIPTION

FIG. 1 is a perspective view of a toasting rack showing our new design, and FIG. 2 is a bottom plan view thereof.



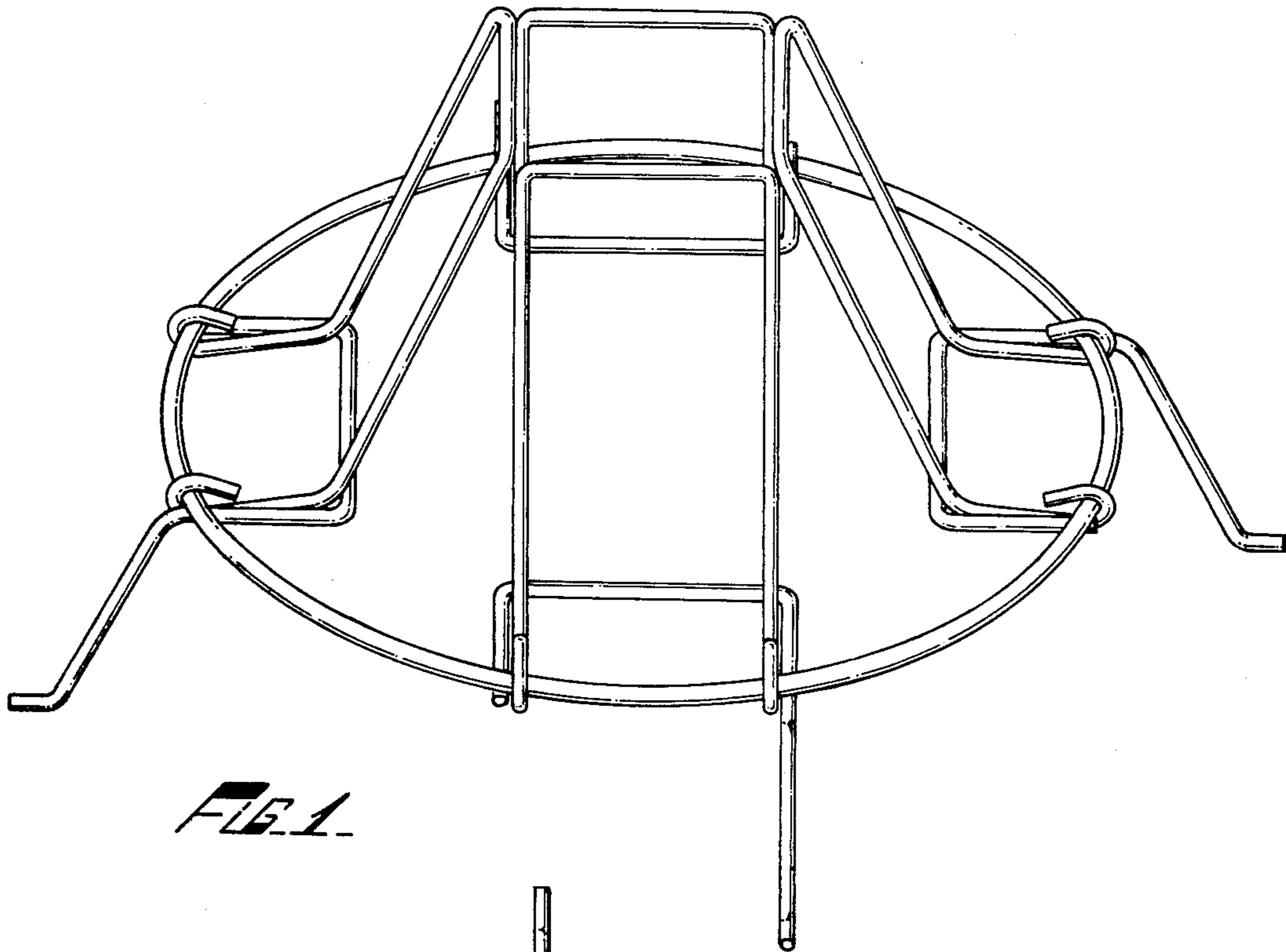


FIG. 1.

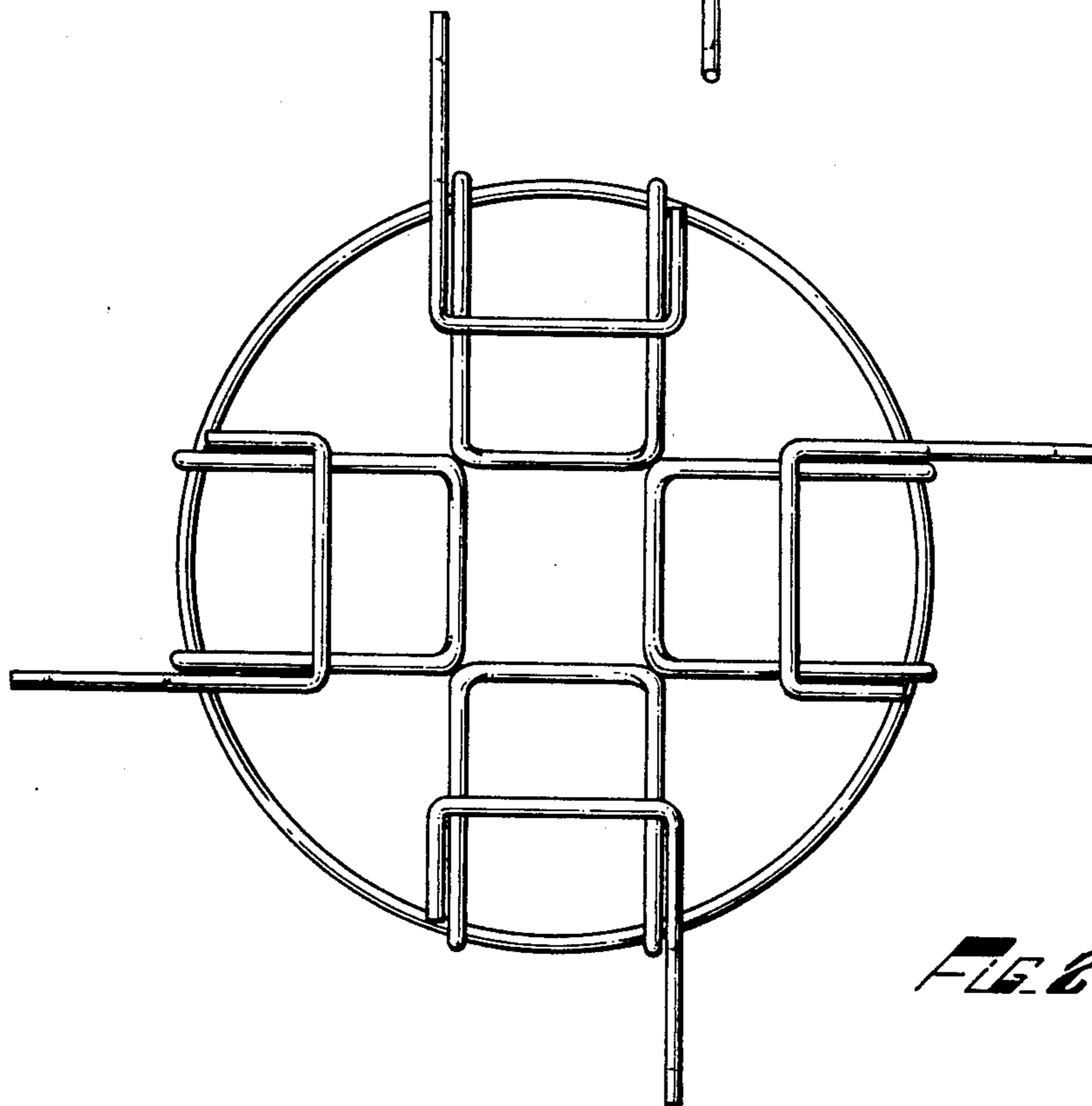


FIG. 2.