

[54] TEAMAKER

[75] Inventors: Ian G. Ettridge, Horsham; Brian Draisey, Leatherhead, both of England

[73] Assignee: Goblin (B.V.C.) Limited Goblin Works, Leatherhead, England

[**] Term: 14 Years

[21] Appl. No.: 828,872

[22] Filed: Aug. 29, 1977

[30] Foreign Application Priority Data

Mar. 1, 1977 [GB] United Kingdom 979083/77

[51] Int. Cl. D07-02

[52] U.S. Cl. D7/62; D15/112

[58] Field of Search D7/59, 60, 61, 62, 63, D7/64, 65, 41; D15/111, 112, 113, 115

[56]

References Cited

U.S. PATENT DOCUMENTS

D. 104,477	5/1937	Scharfenberg	D7/67
D. 181,728	12/1957	Johnston	D15/112
D. 220,579	4/1971	Wickenberg	D7/65
D. 250,688	1/1979	Felske	D7/62 X
3,166,349	1/1965	Hagler	D7/60 X

Primary Examiner—Winifred E. Herrmann
Attorney, Agent, or Firm—Edward F. Welsh

[57]

CLAIM

The ornamental design for a teamaker, substantially as shown and described.

DESCRIPTION

FIG. 1 is a top front perspective view of a teamaker showing our new design; FIG. 2 is a right side elevational view thereof; FIG. 3 is a top rear perspective view thereof; FIG. 4 is a top plan view thereof; and FIG. 5 is a rear elevational view thereof. The bottom is unornamented except for the feet that are visible in FIGS. 2 and 5.

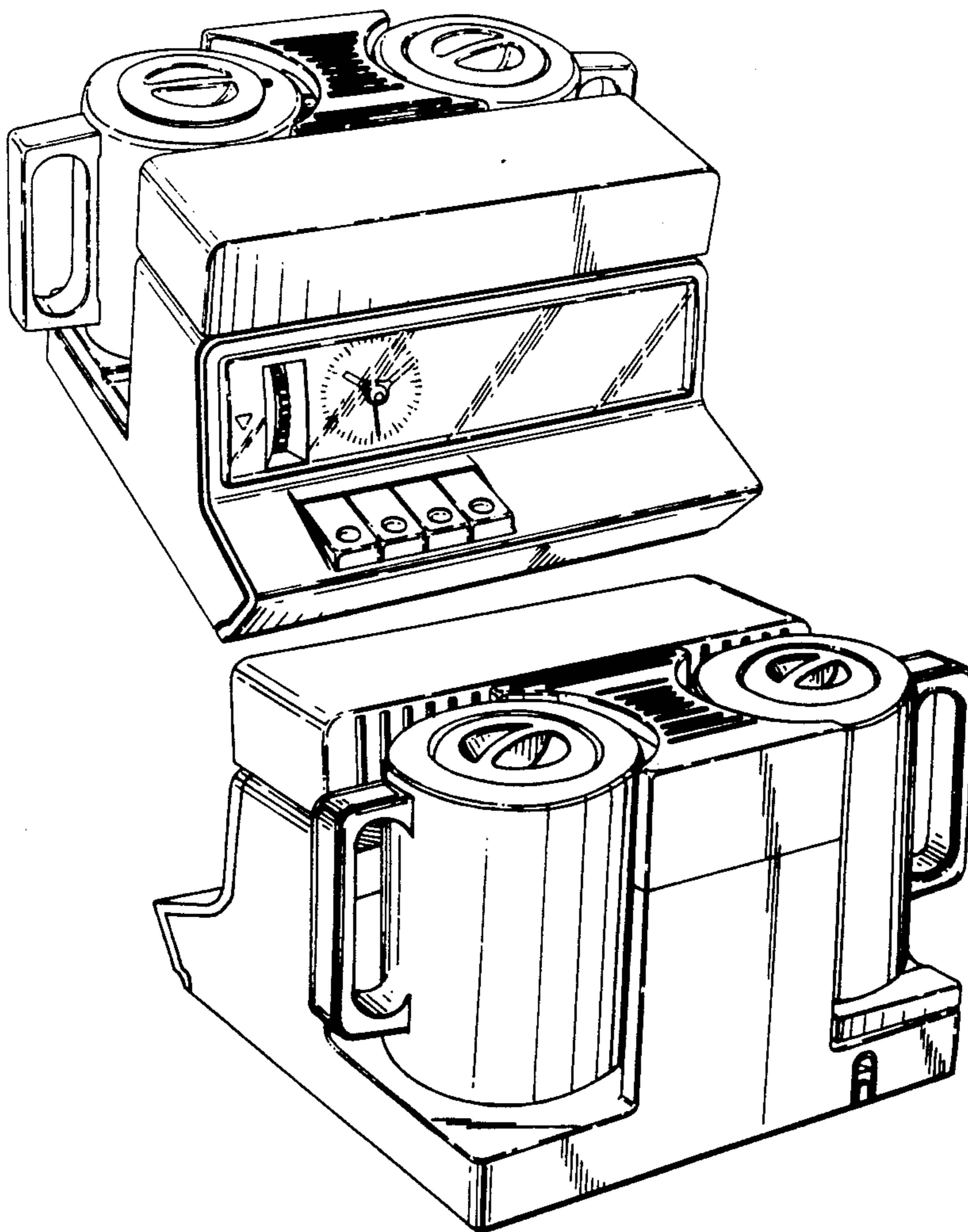


Fig. 1.

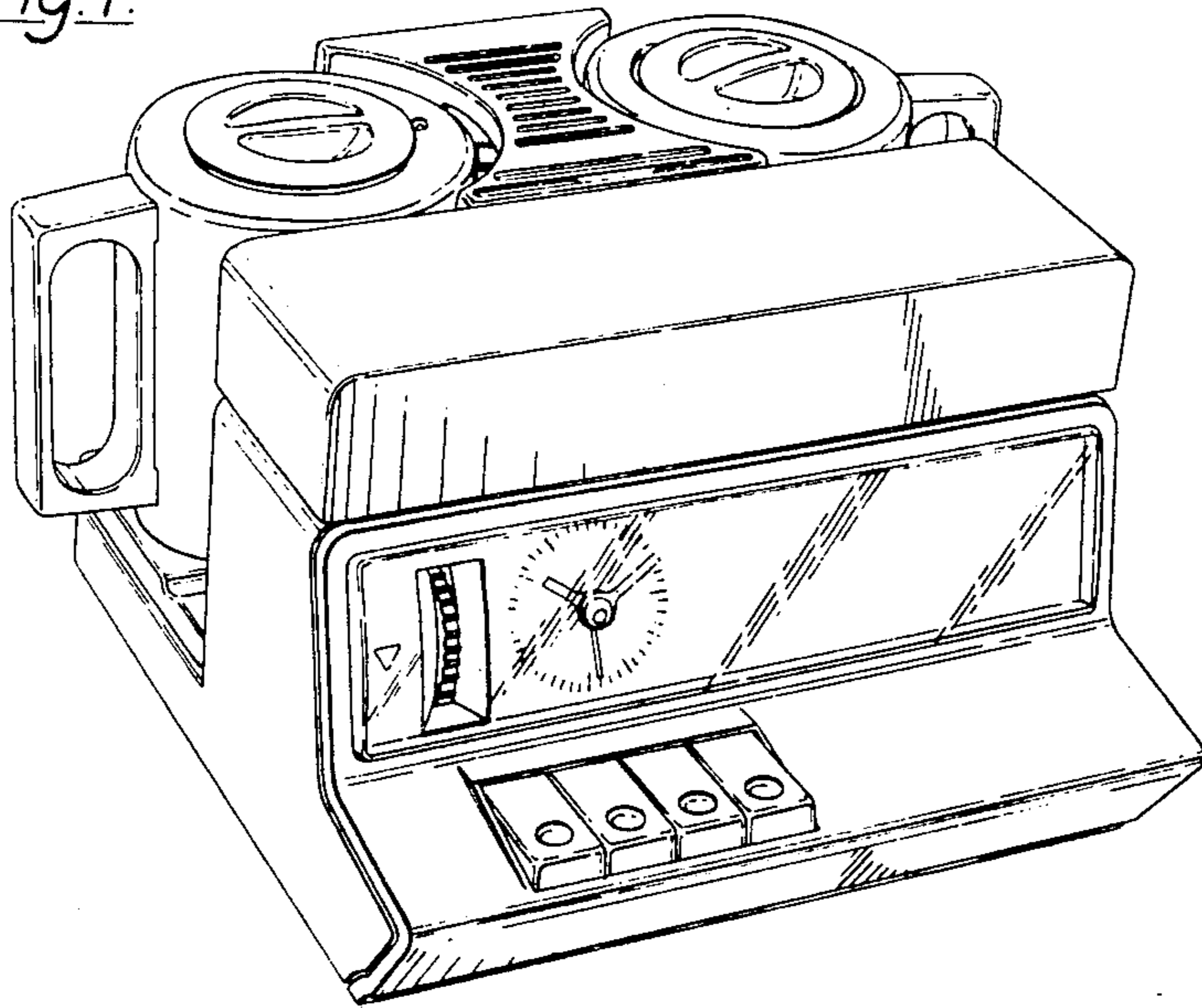


Fig. 2.

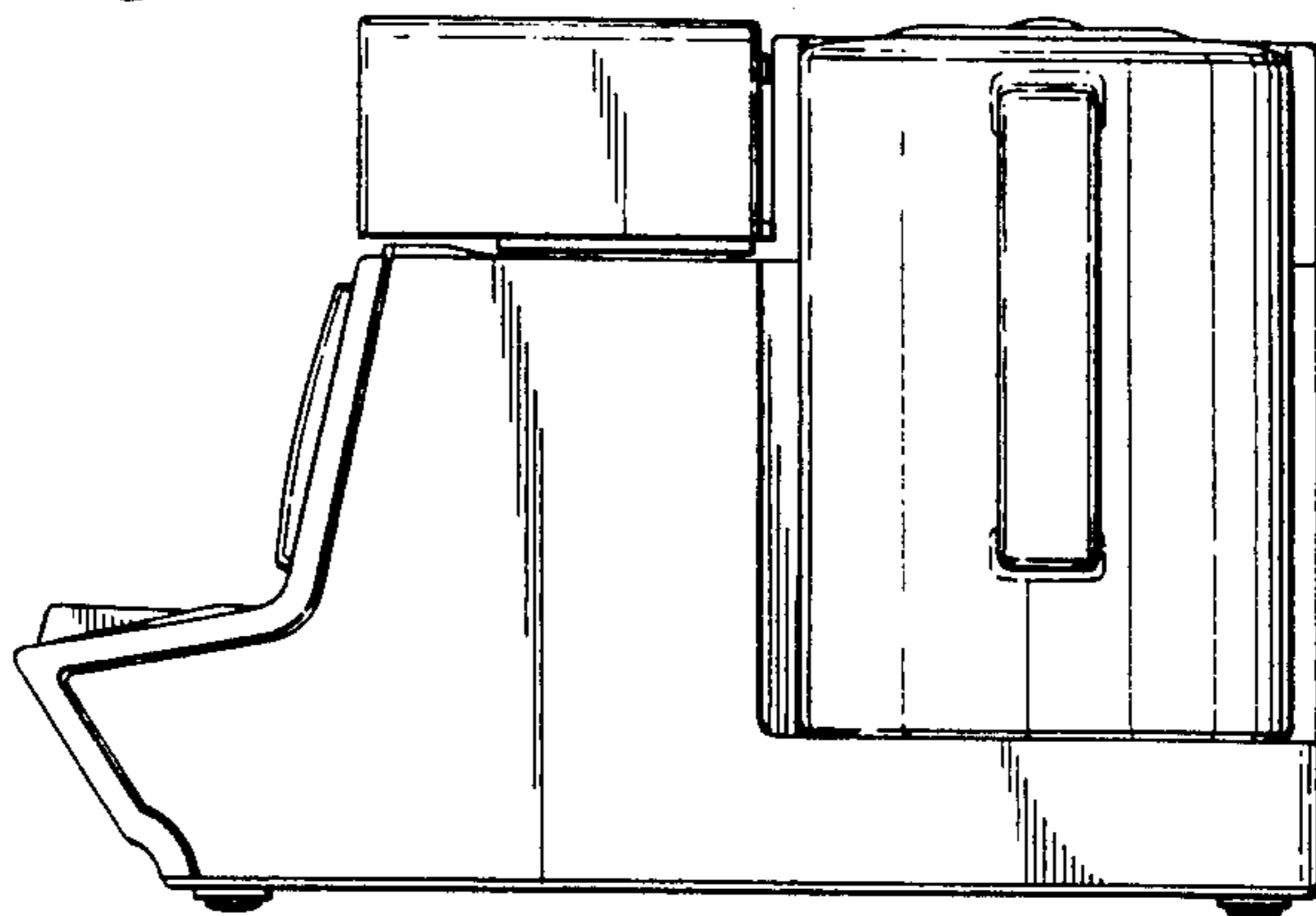


Fig. 3.

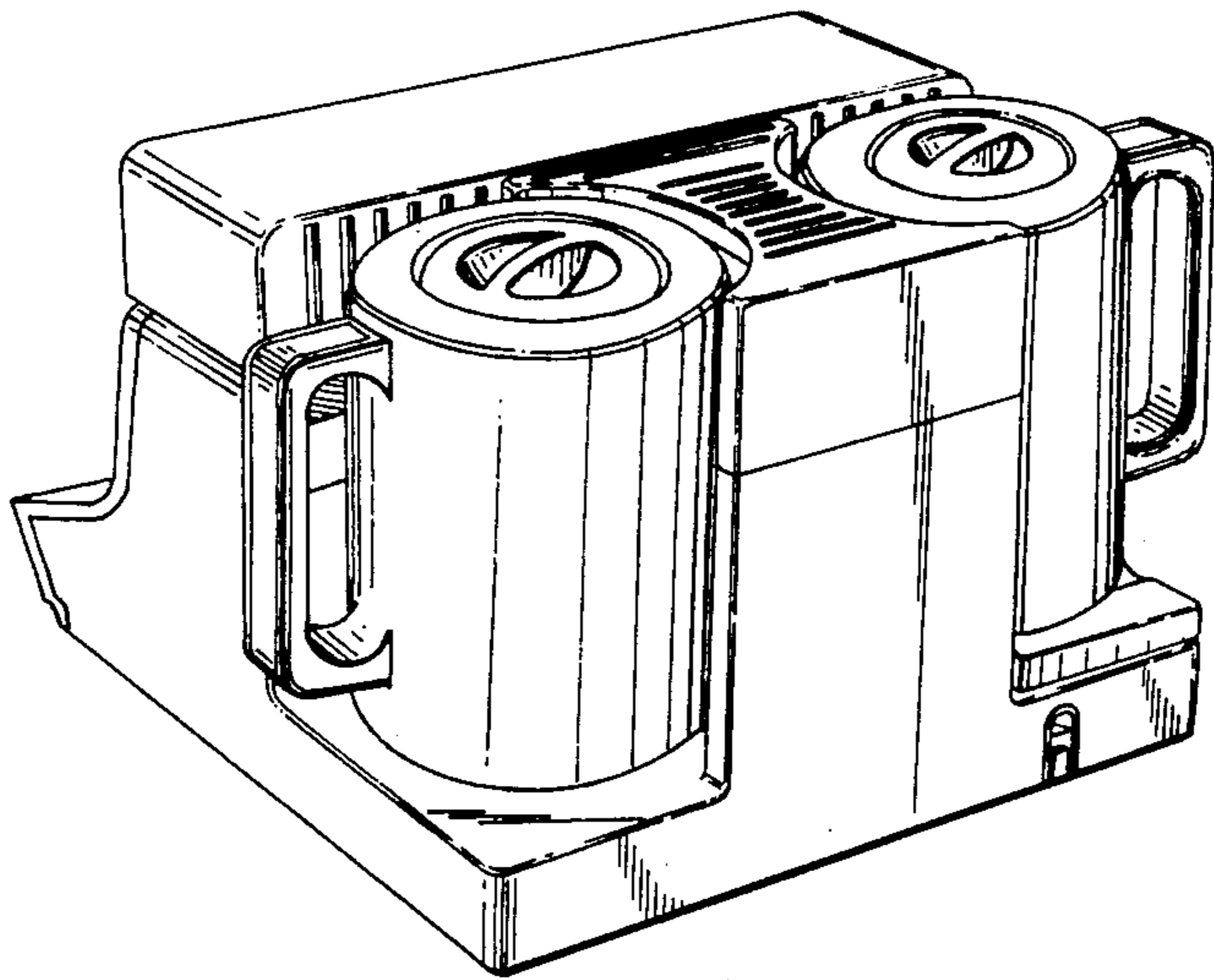


Fig. 4.

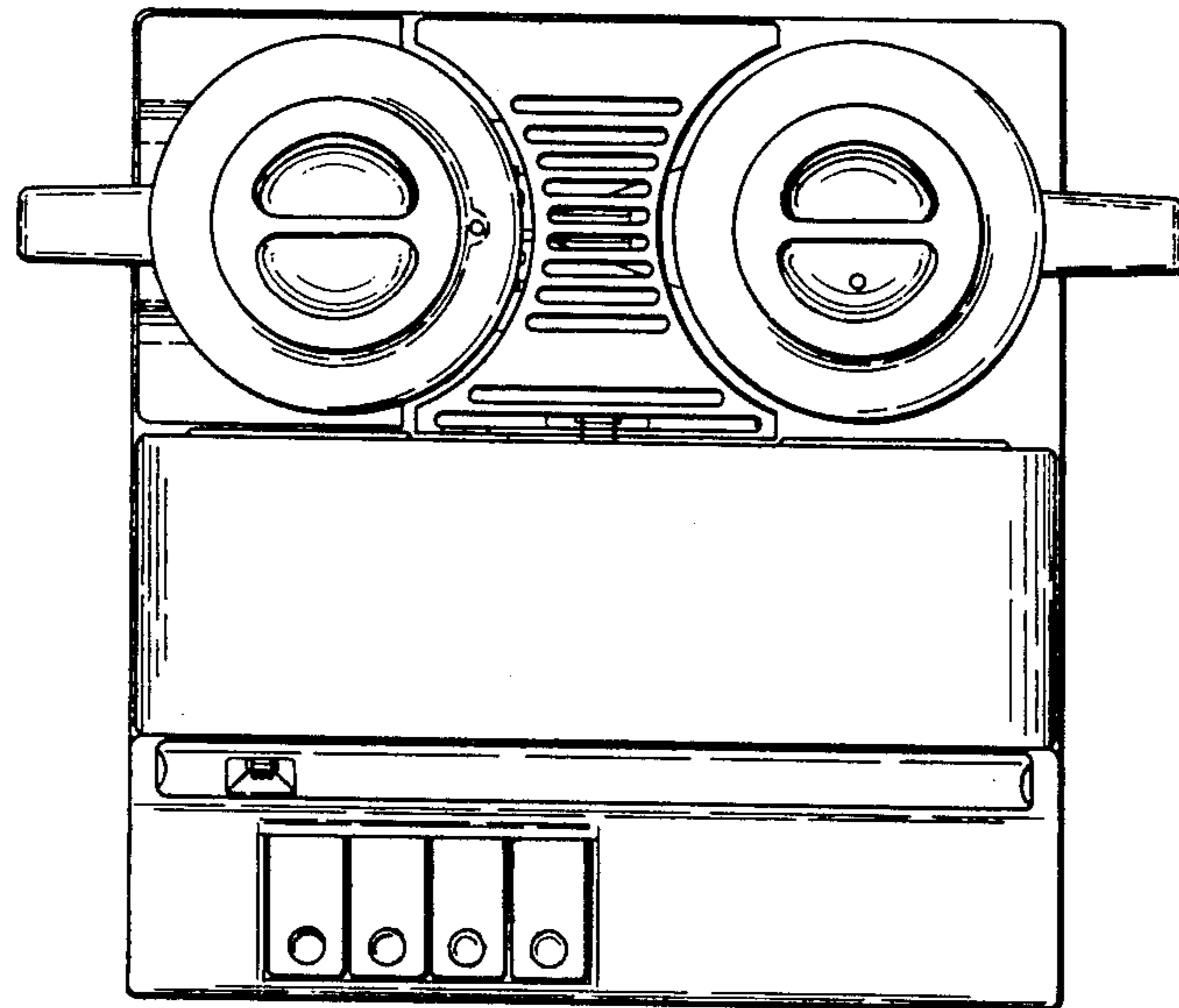


Fig. 5.

