

[54] PILLOW COVER

[76] Inventor: Agnita Britzman, 1440 E. Fourth St.,  
Long Beach, Calif. 90802

[\*\*] Term: 7 Years

[21] Appl. No.: 887,194

[22] Filed: Mar. 16, 1978

[51] Int. Cl. .... D6—13

[52] U.S. Cl. .... D6/269; D6/201

[58] Field of Search .... D6/200-202,  
D6/204, 269; 5/448, 490, 496, 497, 501; D24/3,  
64; 2/DIG. 7

[56] References Cited

U.S. PATENT DOCUMENTS

3,795,019 3/1974 Fragas ..... 5/497 X

3,858,256 1/1975 Beer ..... 5/496  
3,868,735 3/1975 Ross ..... 5/497  
3,916,447 11/1975 Thompson ..... 2/DIG. 7

Primary Examiner—Joel Stearman  
Assistant Examiner—Jane E. Corrigan  
Attorney, Agent, or Firm—Francis A. Utecht

[57] CLAIM

The ornamental design for a pillow cover, substantially  
as shown and described.

DESCRIPTION

FIG. 1 is a top plan view of a pillow cover showing my  
new design;  
FIG. 2 is a front elevational view;  
FIG. 3 is a front, top and left side perspective view of  
the cover shown as it would appear on a pillow; and  
FIG. 4 is a front, bottom and right side perspective view  
thereof.

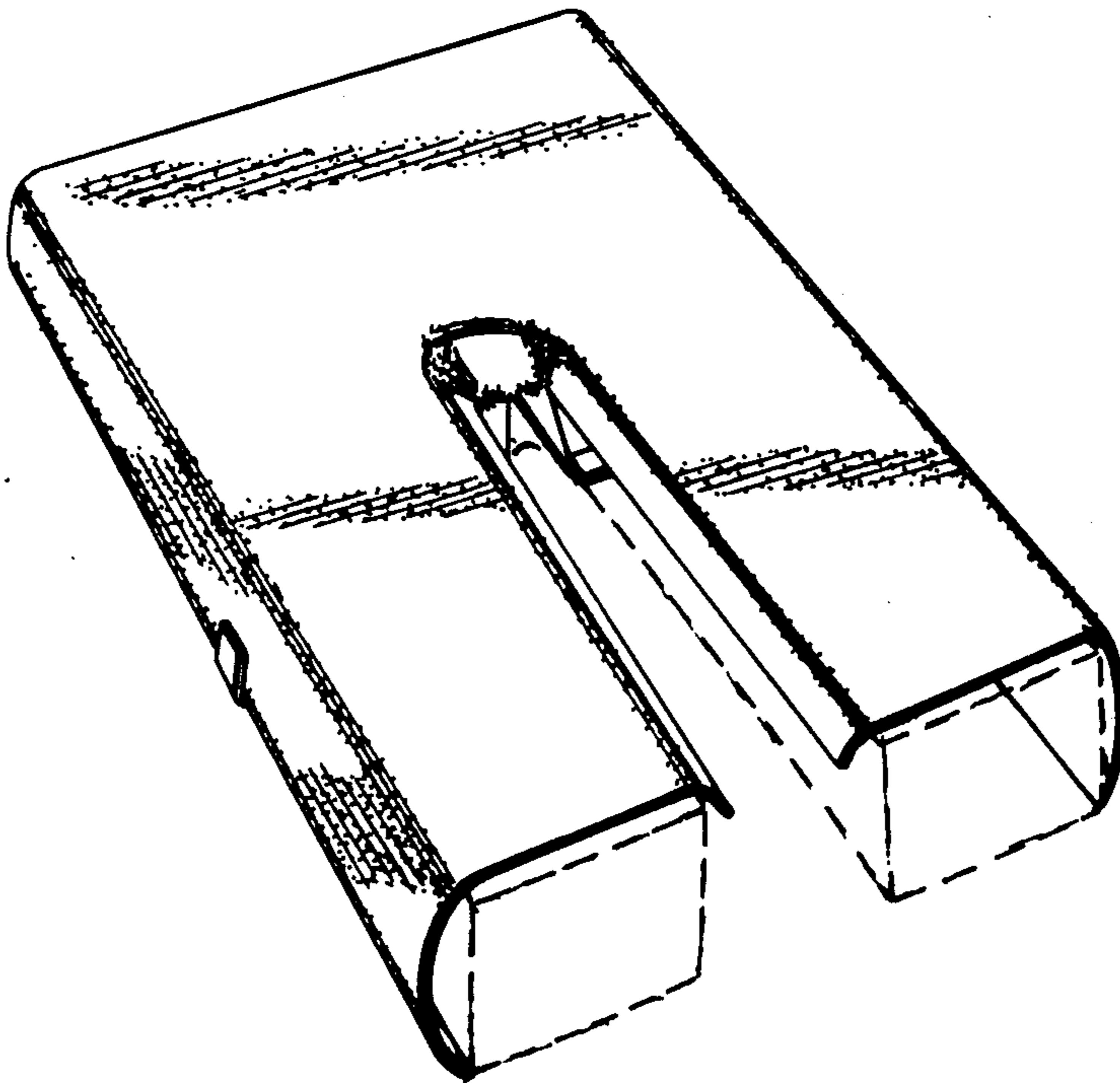


FIG. 1

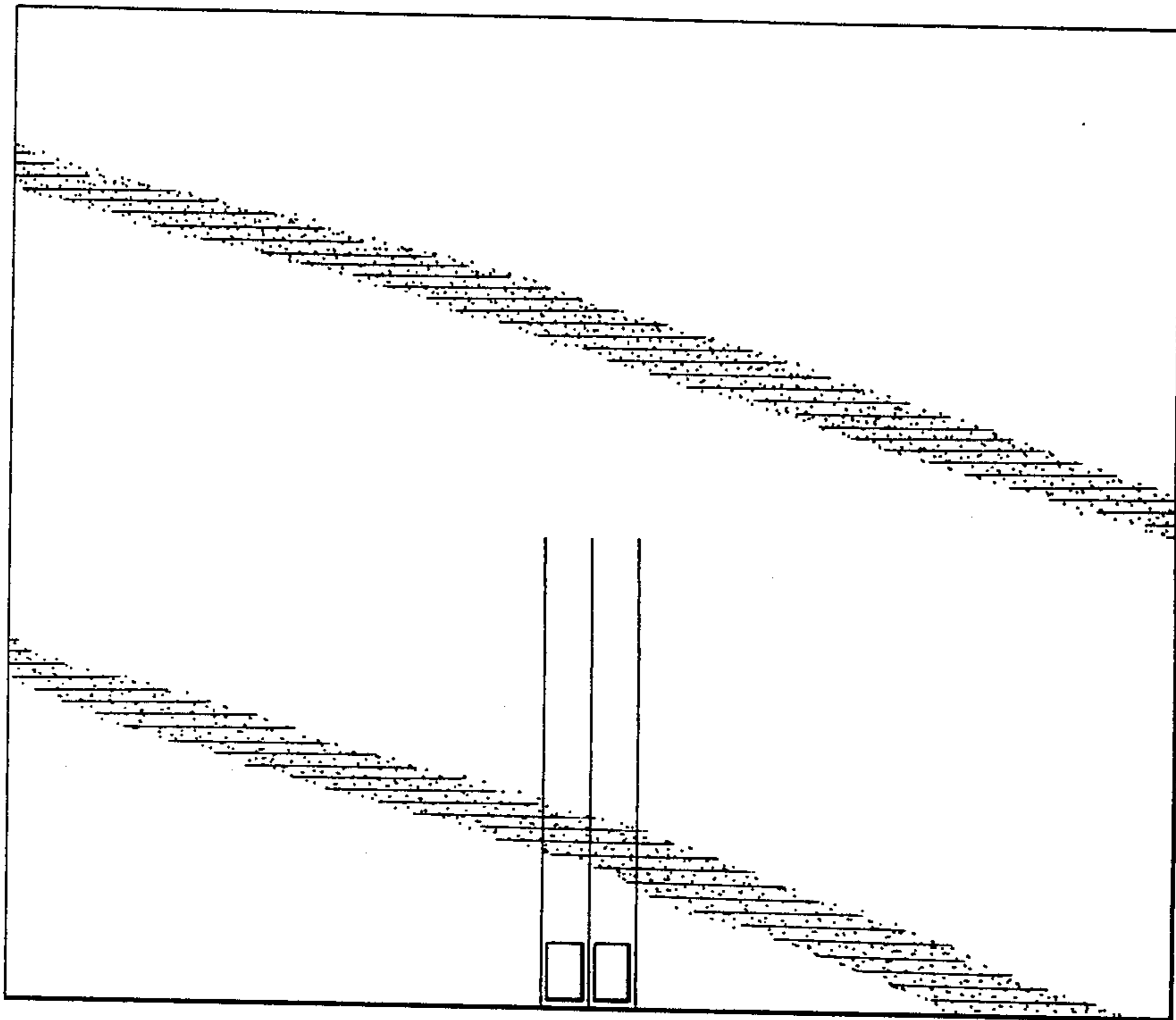


FIG. 2



FIG. 3

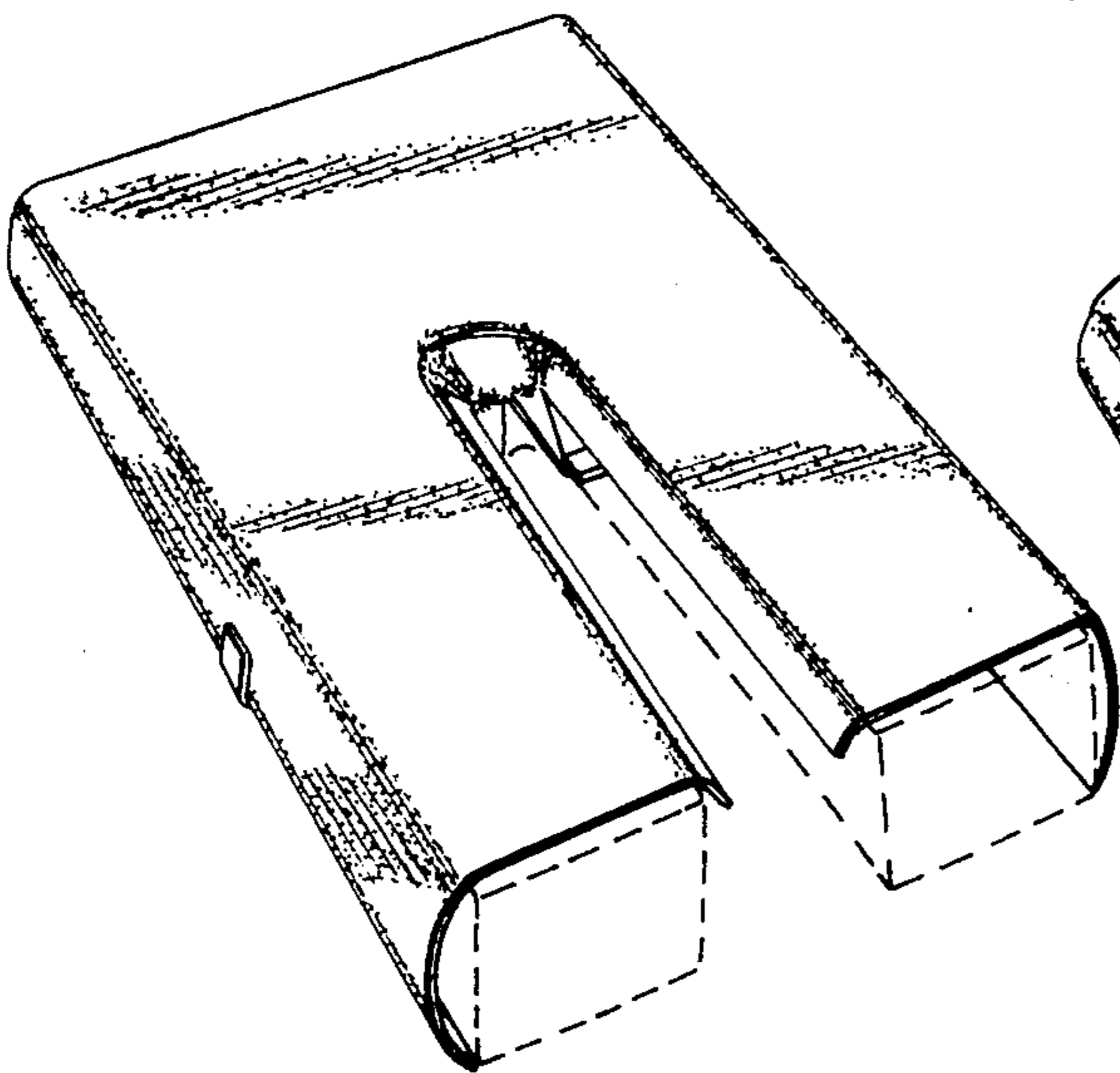


FIG. 4

