

[54] TABLE FOR RETOUCHING PHOTOGRAPHS

[76] Inventor: Joseph A. Arnone, 258 Briggs St., Syracuse, N.Y. 13208

[**] Term: 14 Years

[21] Appl. No.: 932,129

[22] Filed: Aug. 9, 1978

[51] Int. Cl. D06-03

[52] U.S. Cl. D6/178; D6/138; D6/173; D6/180; D6/184; D16/38; D19/91

[58] Field of Search D6/18, 138, 155, 172, D6/173, 180, 184, 178, 177; D16/11, 14, 15, 18, 38; 108/7, 9, 10; 248/441 A, 454, 455, 456, 460; 354/348, 349, 350; 362/3, 8, 33, 97, 127; D19/91

[56] References Cited

U.S. PATENT DOCUMENTS

456,555 7/1891 Cutler 354/349

2,497,215 2/1950 Good et al. 354/349
2,669,058 2/1954 Fadeley, Jr. 248/441 B
2,678,182 5/1954 Young 248/454

FOREIGN PATENT DOCUMENTS

173822 7/1952 Fed. Rep. of Germany 248/455

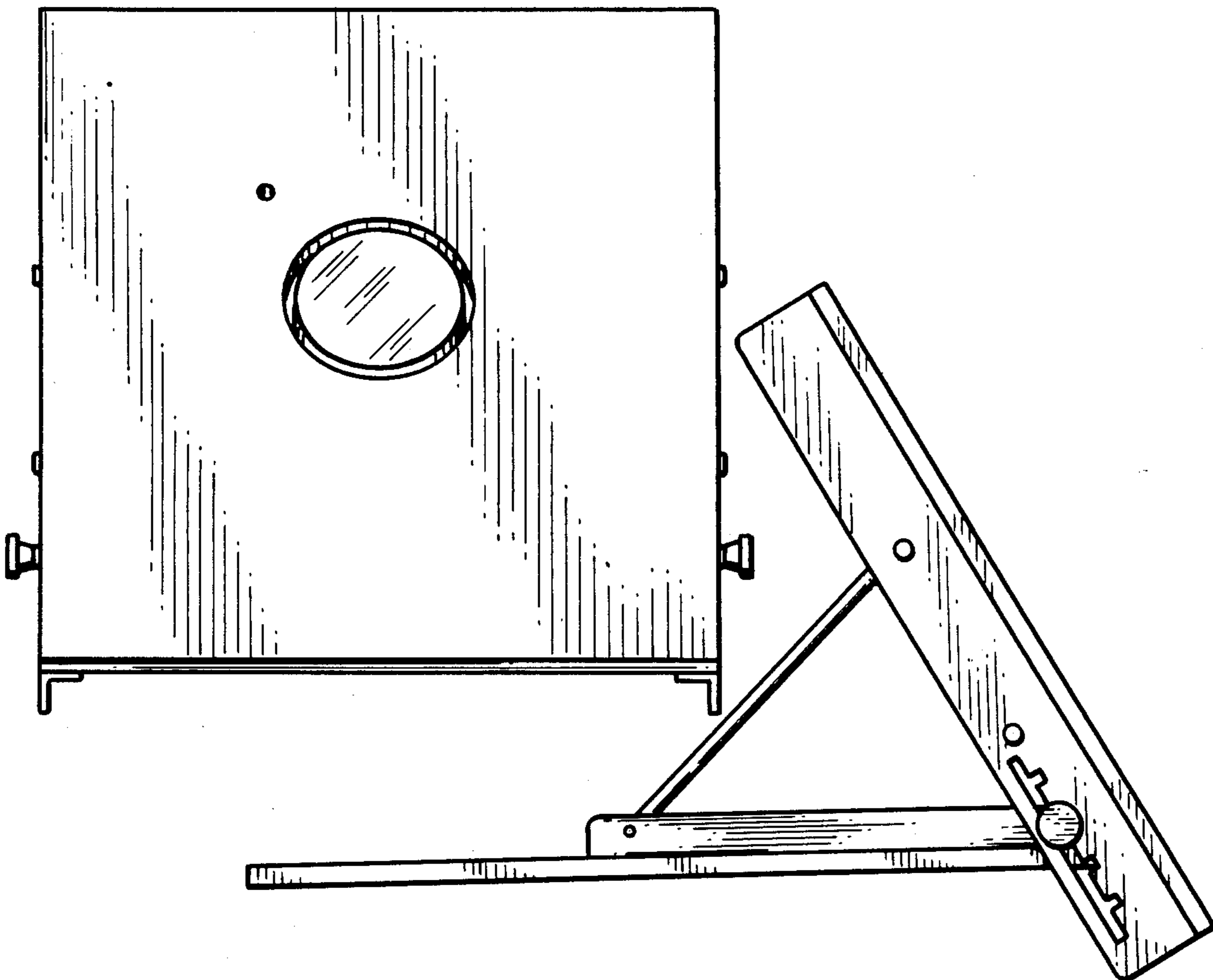
Primary Examiner—Joel Stearman
Assistant Examiner—Carmen H. Vales
Attorney, Agent, or Firm—Richard Von K. Bruns

[57] CLAIM

The ornamental design for a table for retouching photographs, as shown and described.

DESCRIPTION

FIG. 1 is a top plan view of a table for retouching photographs showing my new design;
FIG. 2 is a left side elevational view thereof; the right side being a mirror image thereof;
FIG. 3 is a front elevational view thereof;
FIG. 4 is a rear elevational view thereof;
FIG. 5 is a bottom plan view thereof.



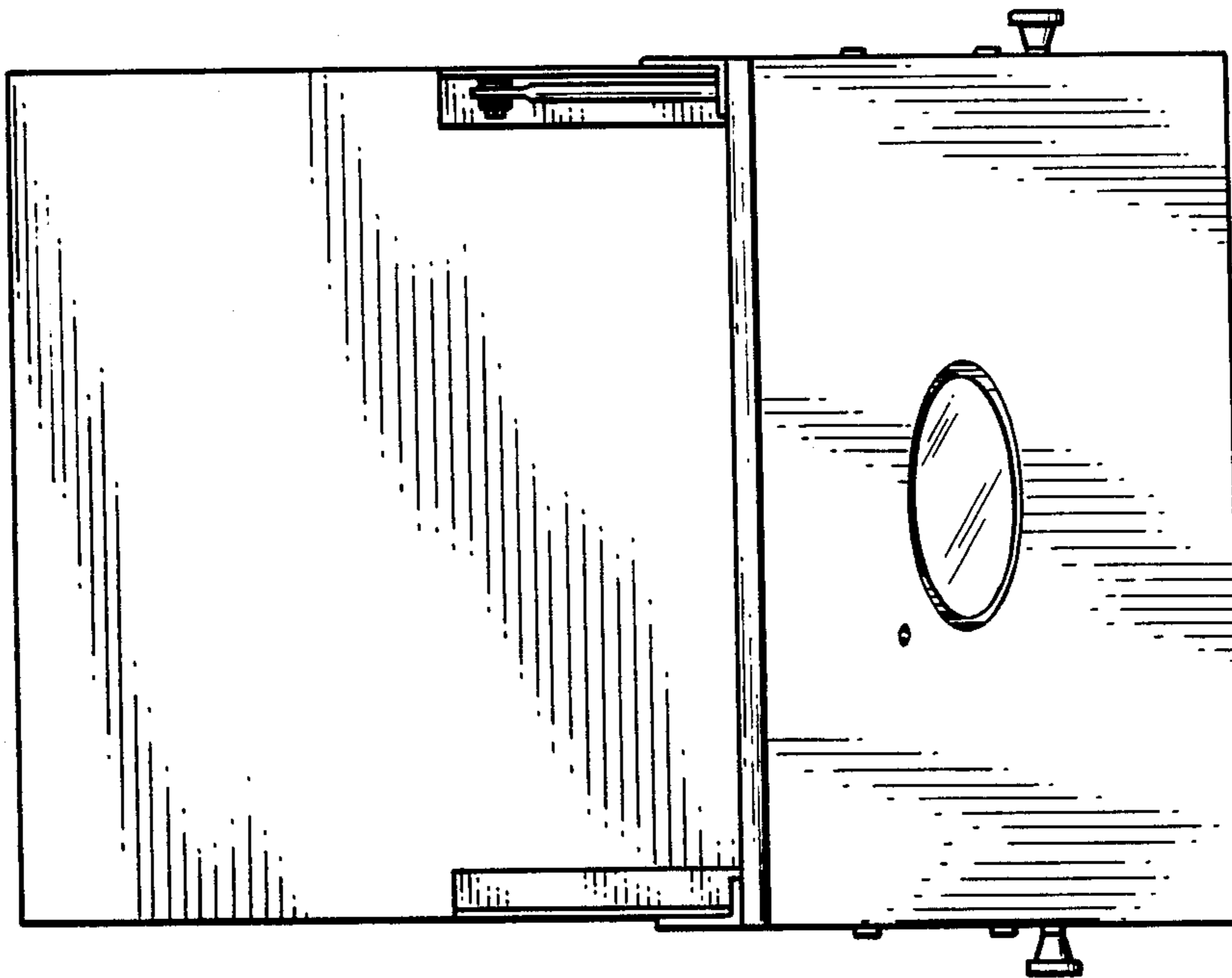


FIG. 1

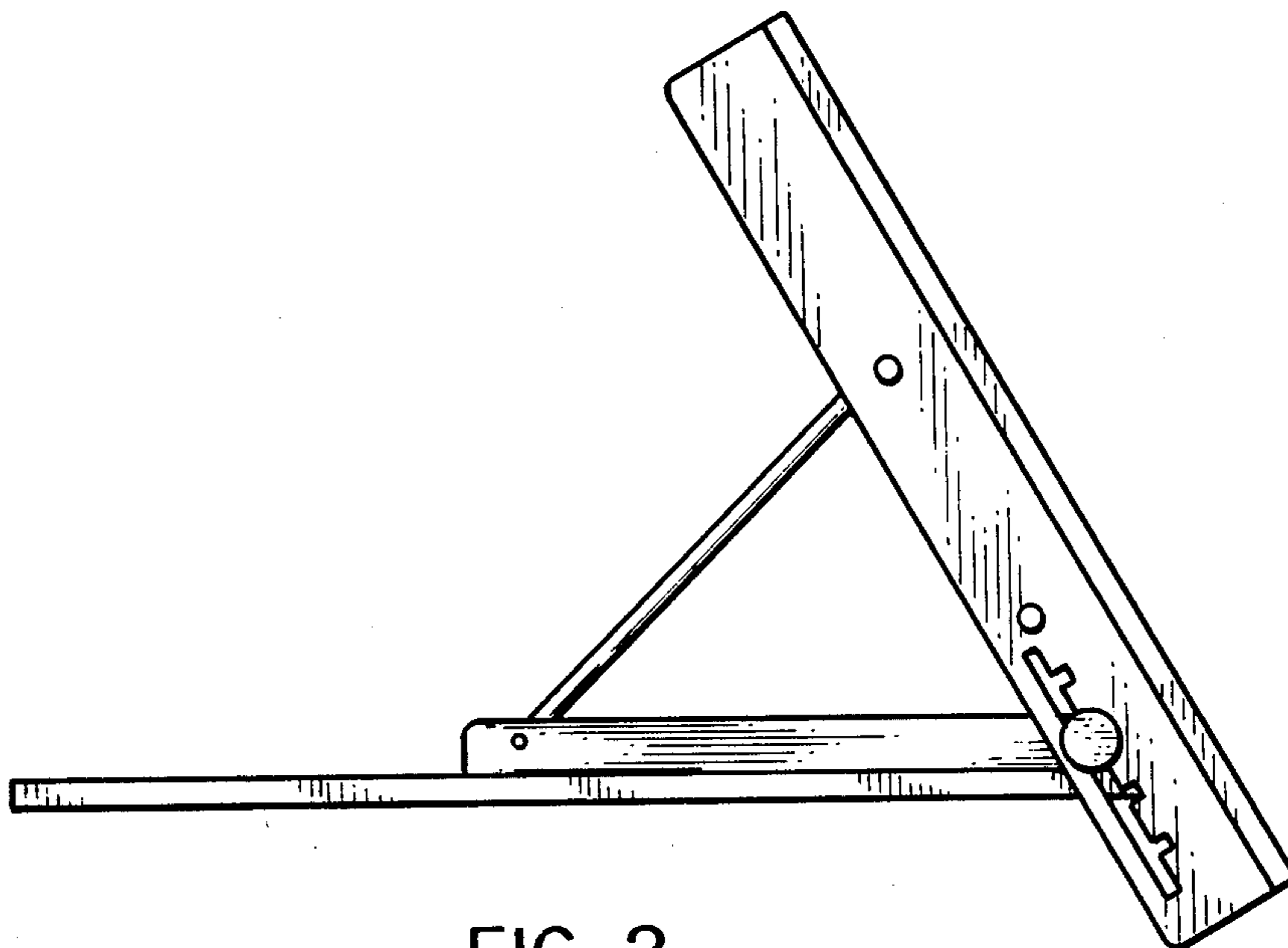


FIG. 2

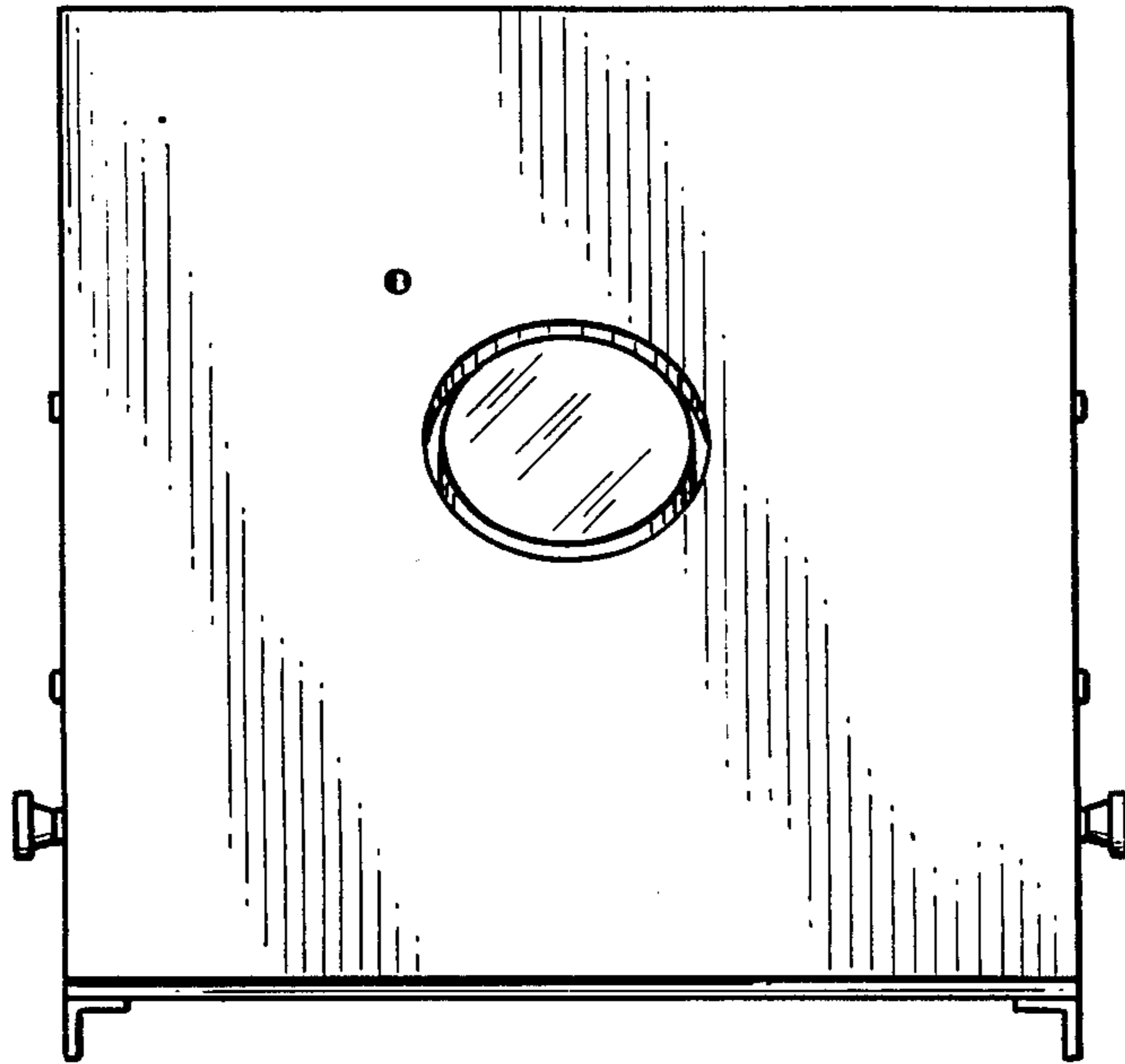


FIG. 3

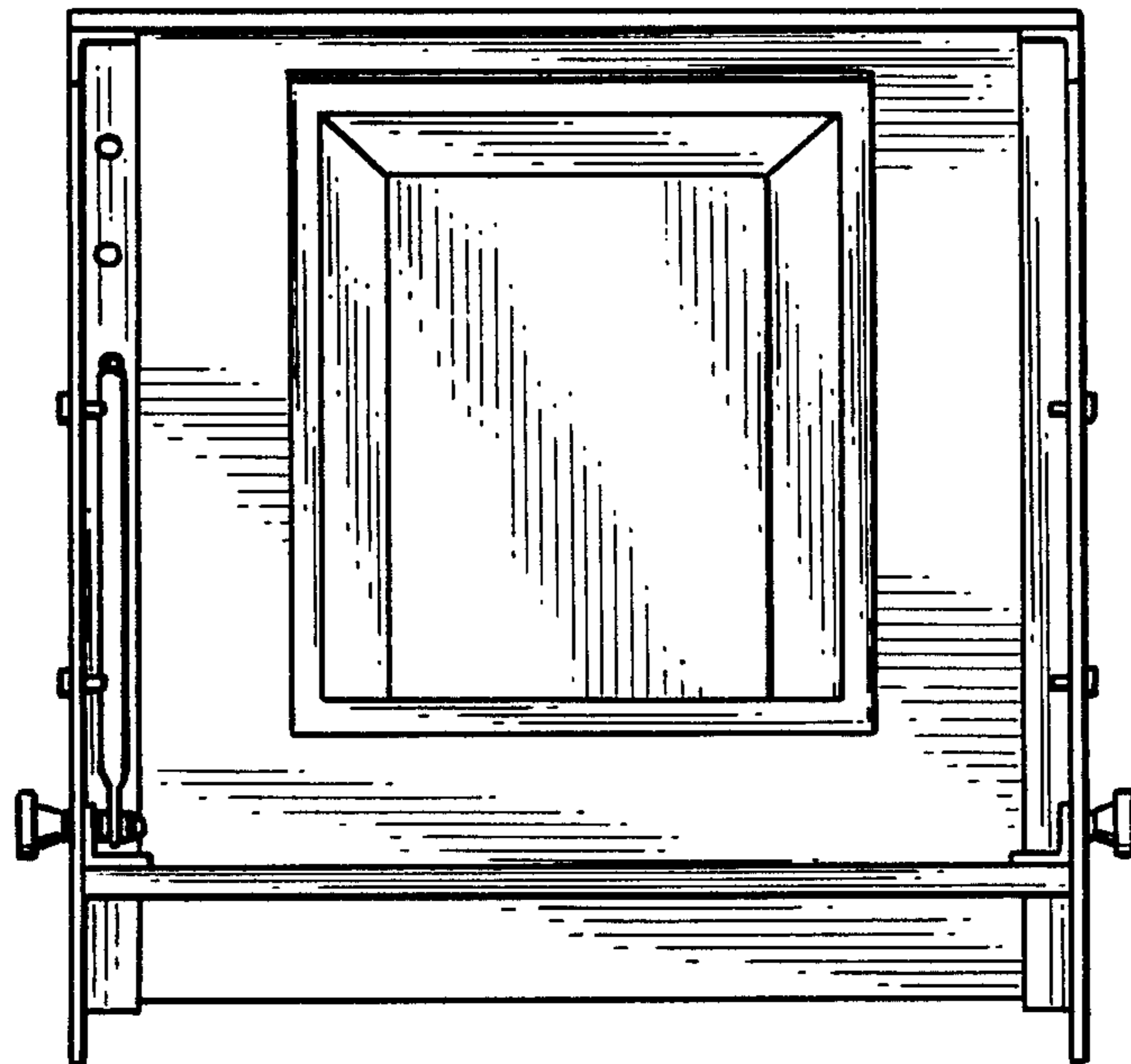


FIG. 4

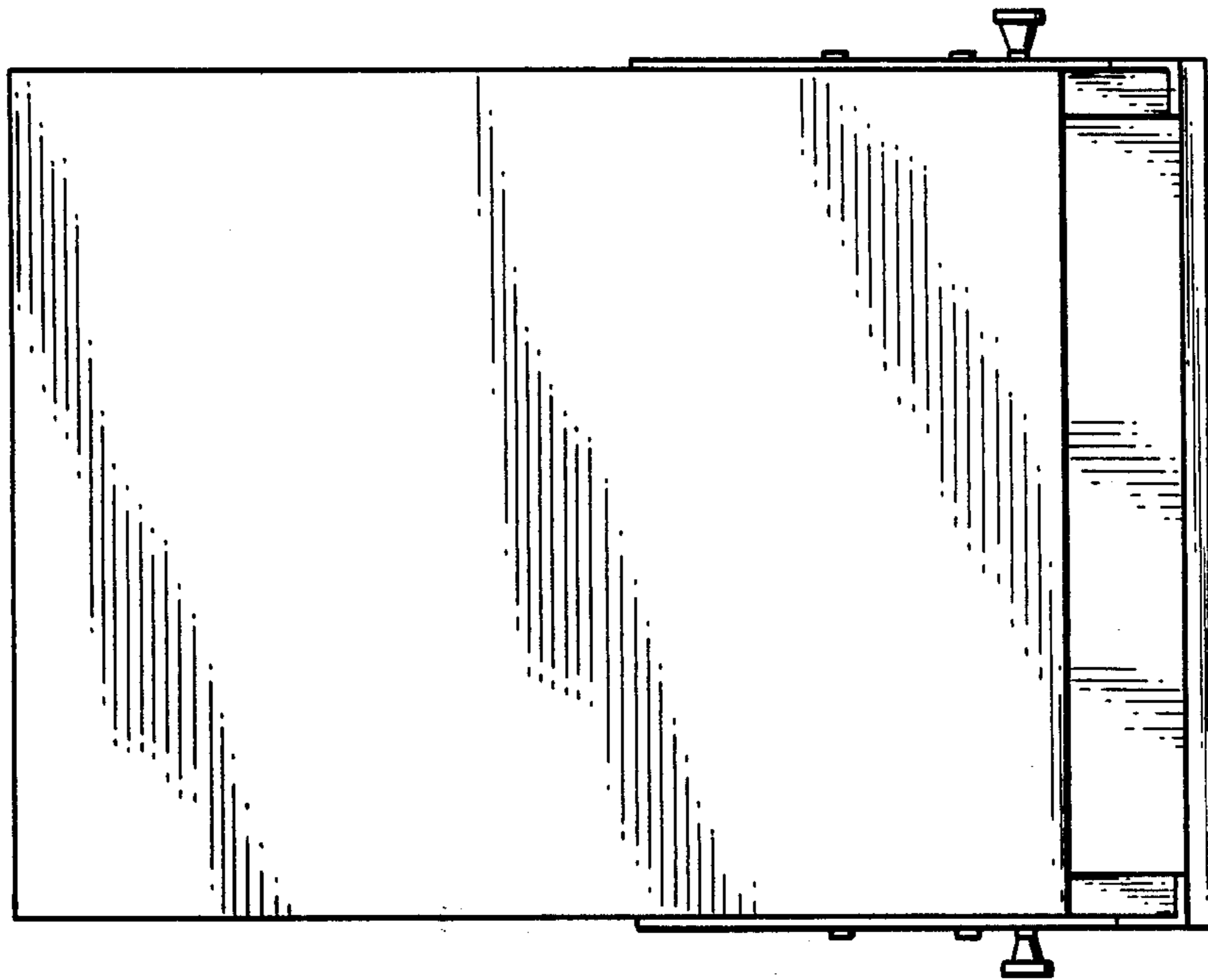


FIG. 5