

[54] **BOOKEND**

[76] Inventor: **Ted R. Simmoneau**, P.O. Box 386,
Florence, Oreg. 97439

[**] Term: **14 Years**

[21] Appl. No.: **912,244**

[22] Filed: **Jun. 5, 1978**

[51] Int. Cl. **D6-06**

[52] U.S. Cl. **D6/106; D6/108;**
D6/151

[58] Field of Search **D6/106-110,**
D6/184, 185, 151; D21/204; D9/222; 211/42,
43, 184; 206/315 B

[56] **References Cited**

U.S. PATENT DOCUMENTS

D. 172,457 6/1954 Balmer **D6/108**

D. 199,794 12/1964 Lindley **D6/106**
3,980,215 9/1976 Schwarzbauer **206/315 B**

Primary Examiner—Wallace R. Burke

Assistant Examiner—B. J. Bullock

Attorney, Agent, or Firm—Kenneth S. Kiarquist

[57] **CLAIM**

The ornamental design for a bookend, as shown and described.

DESCRIPTION

FIG. 1 is a front perspective view of a bookend showing my new design;

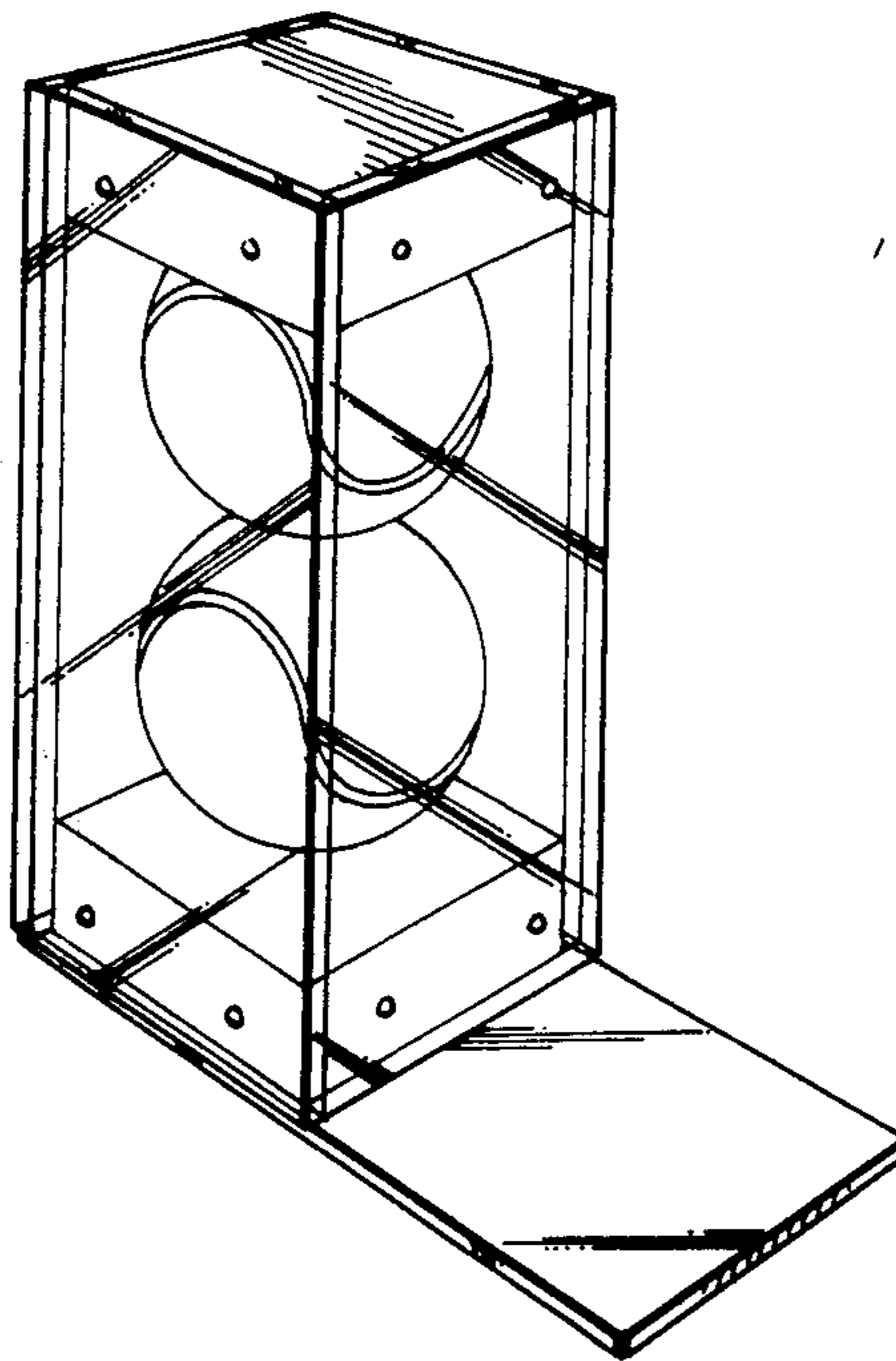
FIG. 2 is a top plan view thereof;

FIG. 3 is a front elevation view thereof;

FIG. 4 is a rear elevation view thereof;

FIG. 5 is a side elevation view taken from the right of FIG. 1; and

FIG. 6 is a bottom plan view thereof.



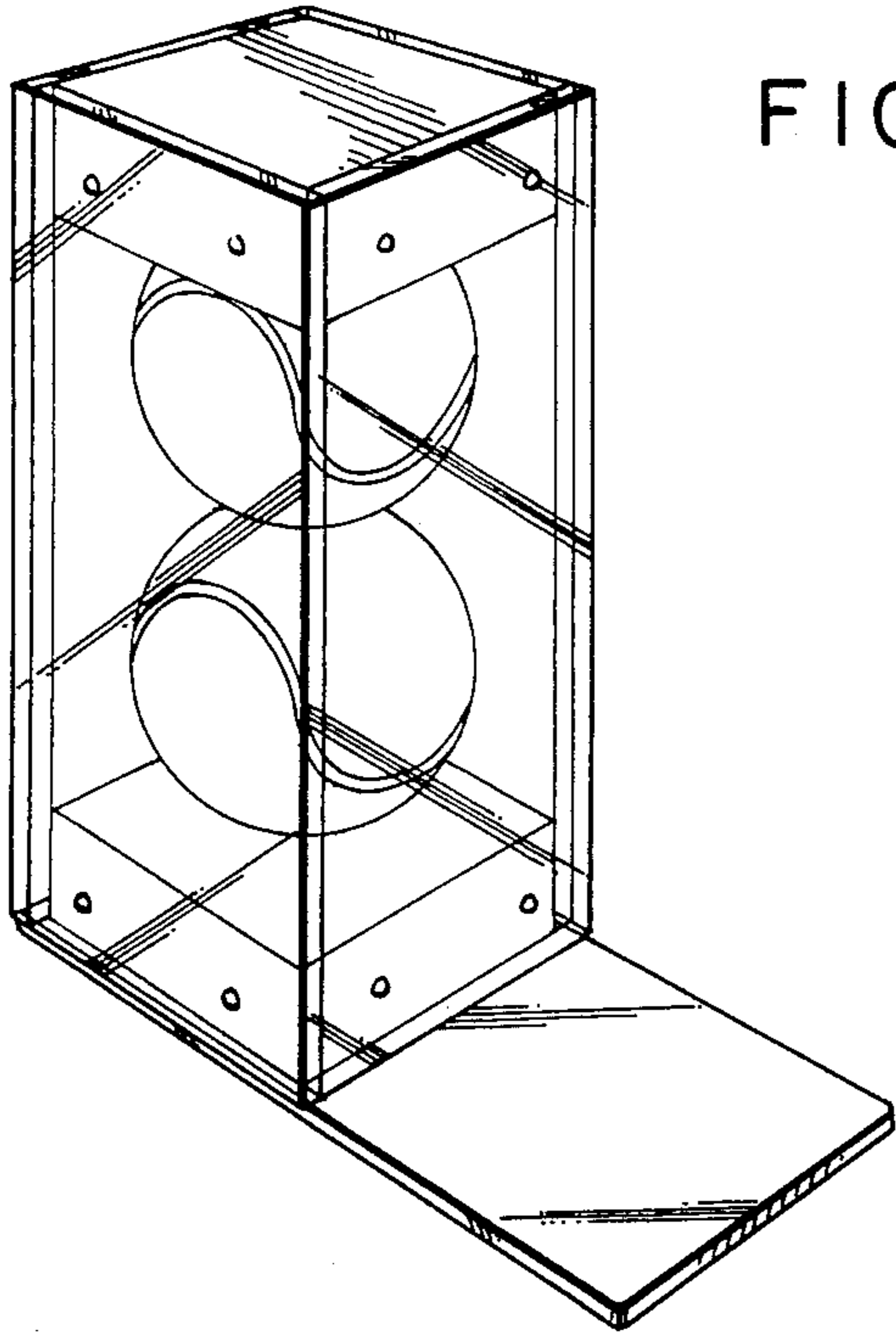


FIG. 1

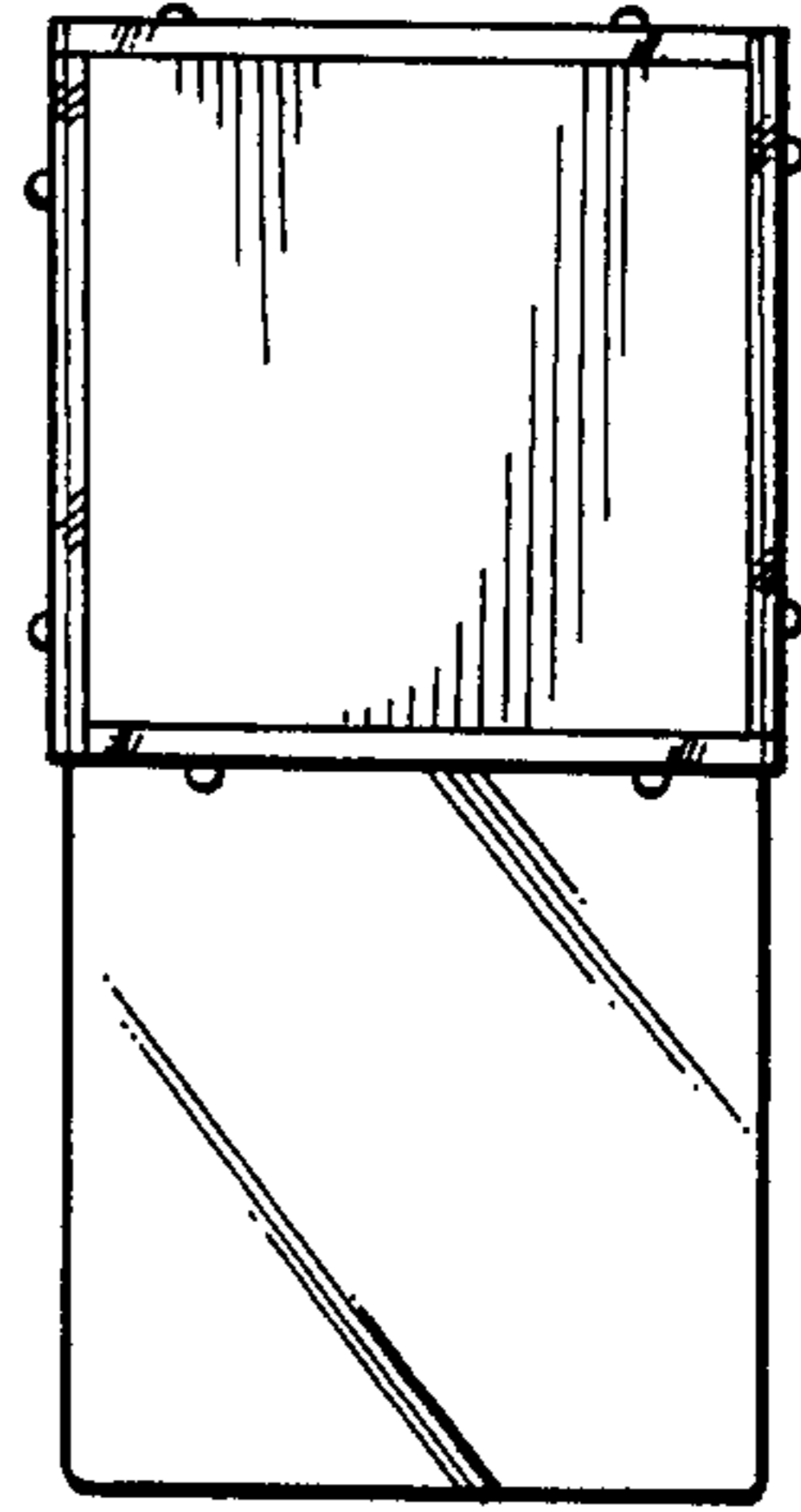


FIG. 2

FIG. 3

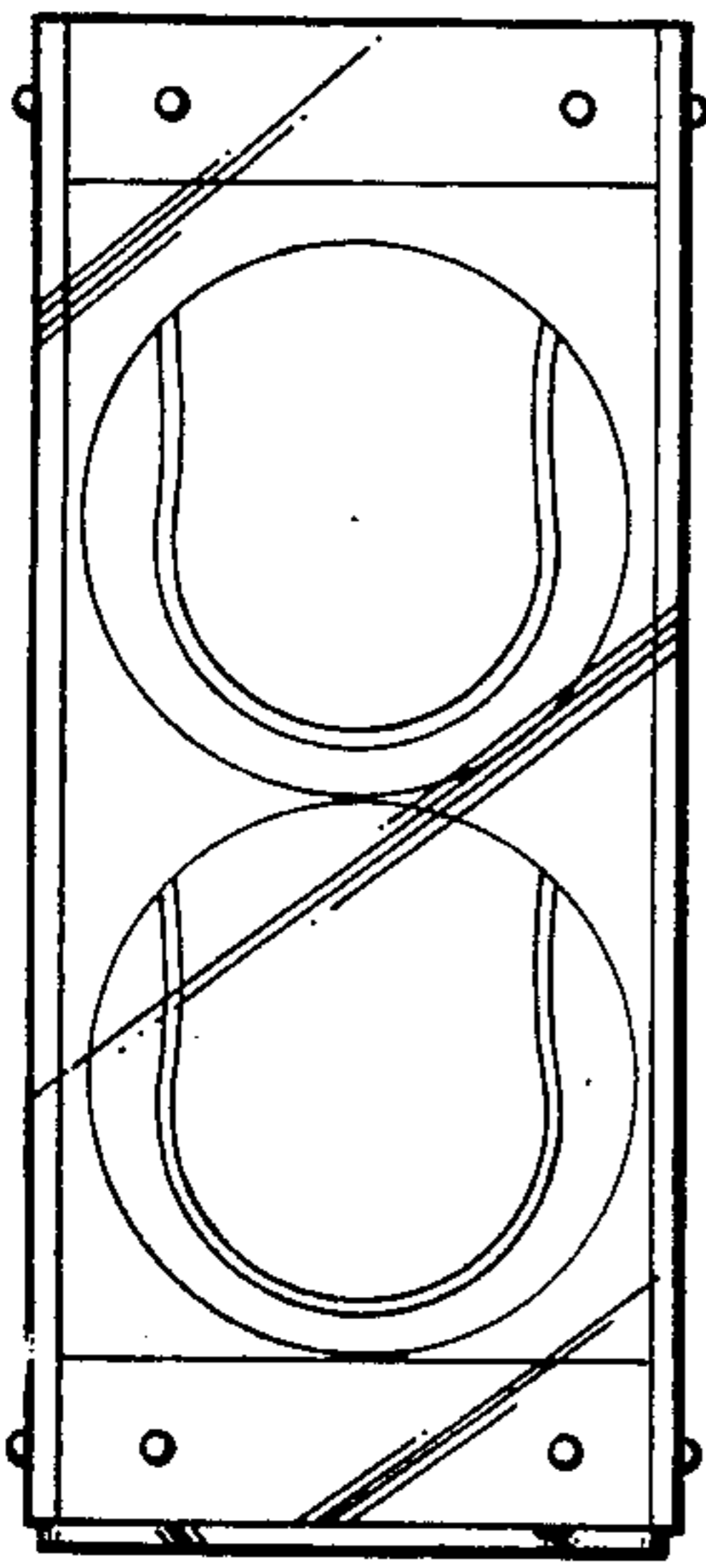


FIG. 4

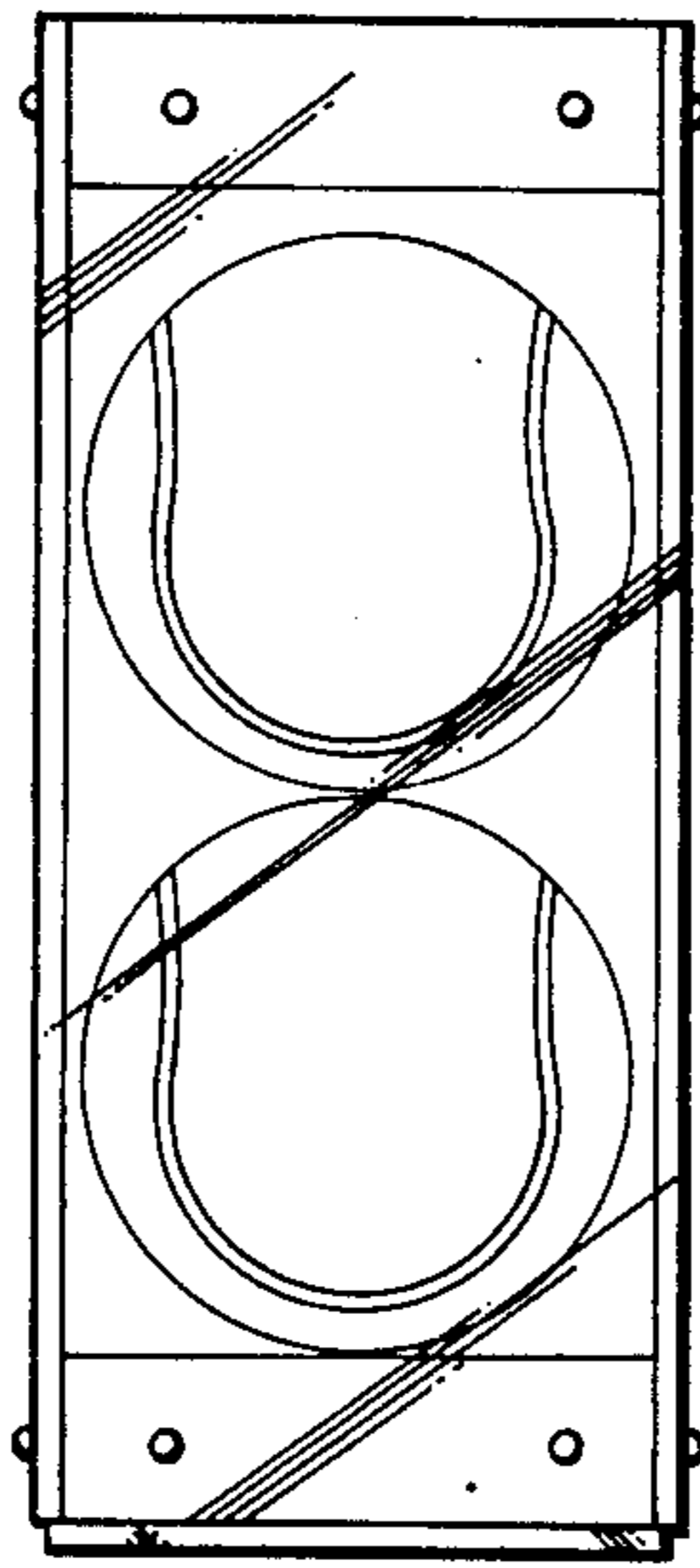


FIG. 5

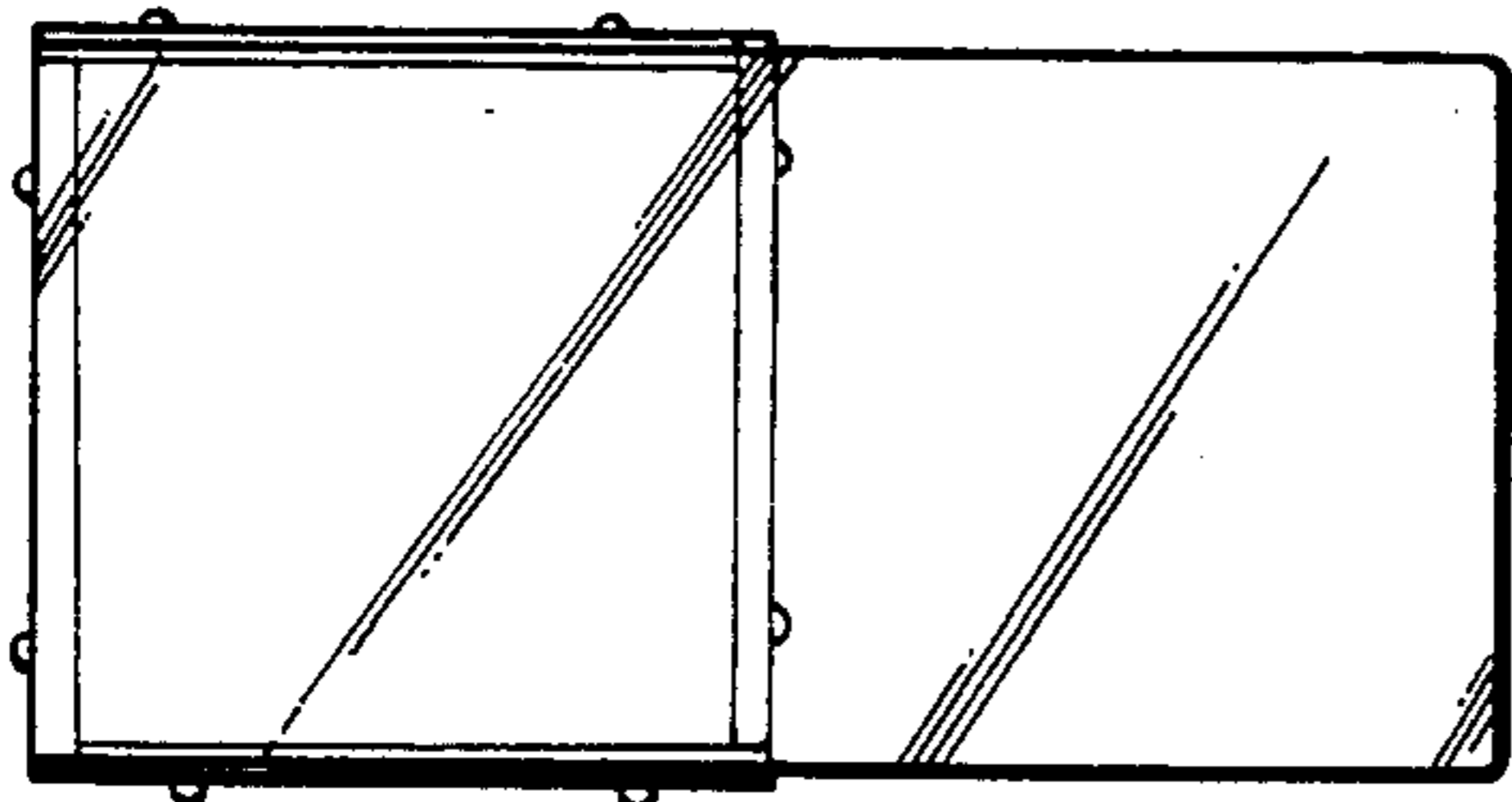
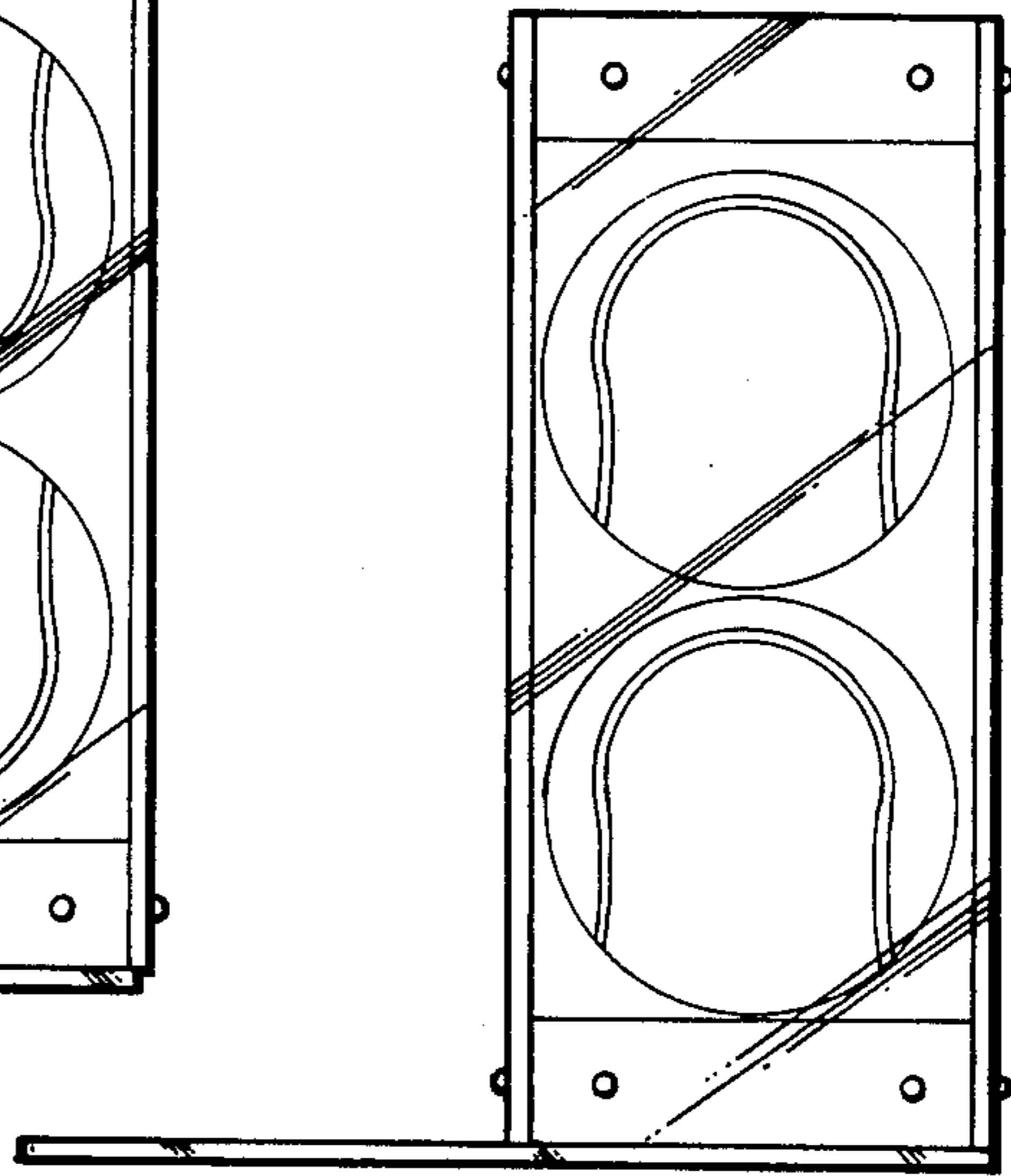


FIG. 6