

[54] FOLDABLE CHAIR

[75] Inventor: Roger Tallon, Paris, France

[73] Assignee: Design Programmes S.A., Paris, France

[**] Term: 14 Years

[21] Appl. No.: 928,406

[22] Filed: Jul. 27, 1978

[30] Foreign Application Priority Data

Feb. 3, 1978 [FR] France 78 76321

[51] Int. Cl. D6-01

[52] U.S. Cl. D6/56; D6/65; D6/76

[58] Field of Search 297/16, 18, 42, 46, 297/51, 52, 55, 56, 60; D6-47-78

[56] References Cited

U.S. PATENT DOCUMENTS

D. 179,505	1/1957	Armbruster	D6/78
1,943,058	1/1934	Clarín	297/56
1,949,951	3/1934	Bozarth	297/56
2,649,141	8/1953	Marshall et al.	297/56 X

FOREIGN PATENT DOCUMENTS

2403046	5/1979	France	297/56
211626	2/1924	United Kingdom	297/55

OTHER PUBLICATIONS

Design Cat., 1-1974, p. 64, Chair bottom right.

Primary Examiner—Bruce W. Dunkins

Attorney, Agent, or Firm—Lawrence I. Lerner

[57] CLAIM

The ornamental design for a foldable chair, substantially as shown and described.

DESCRIPTION

FIG. 1 is a perspective view of a foldable chair showing my new design;

FIG. 2 is a front elevational view thereof;

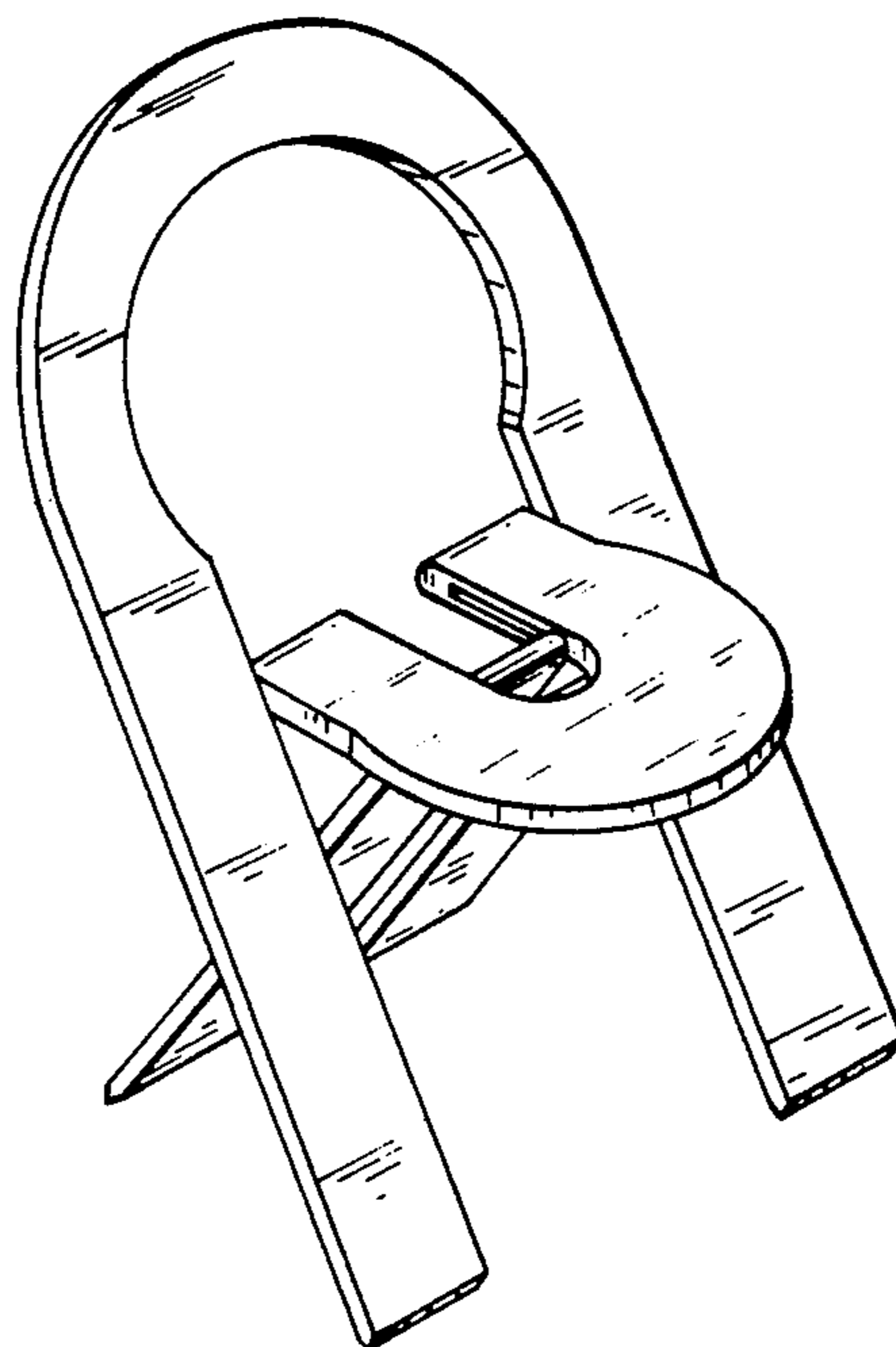
FIG. 3 is a rear elevational view thereof;

FIG. 4 is a right side elevational view, the left side elevational view is a mirror image of the right side elevational view;

FIG. 5 is a top plan view thereof;

FIG. 6 is a bottom plan view thereof; and

FIG. 7 is a front plan view of the chair in its folded storage position.



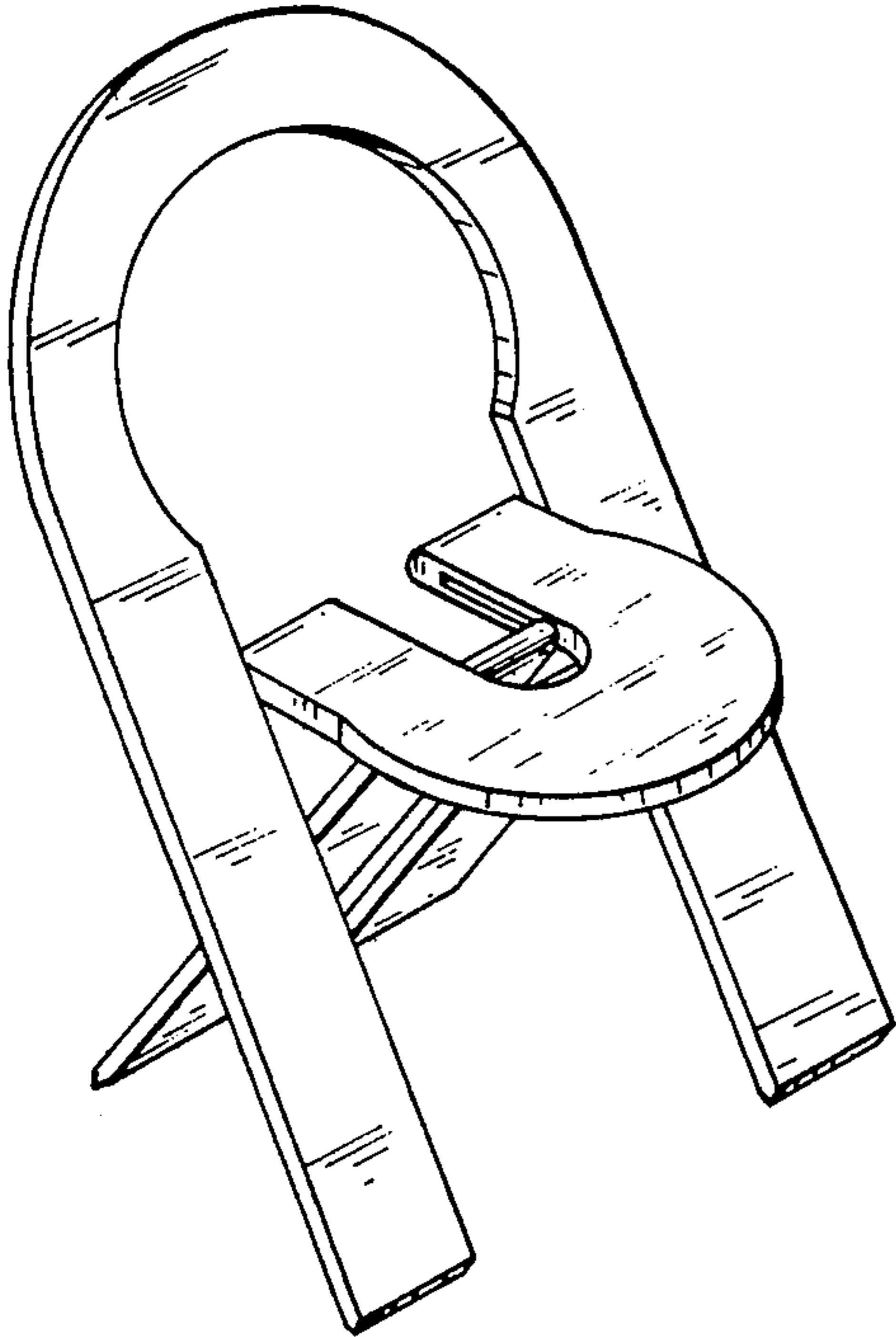


FIG. 1

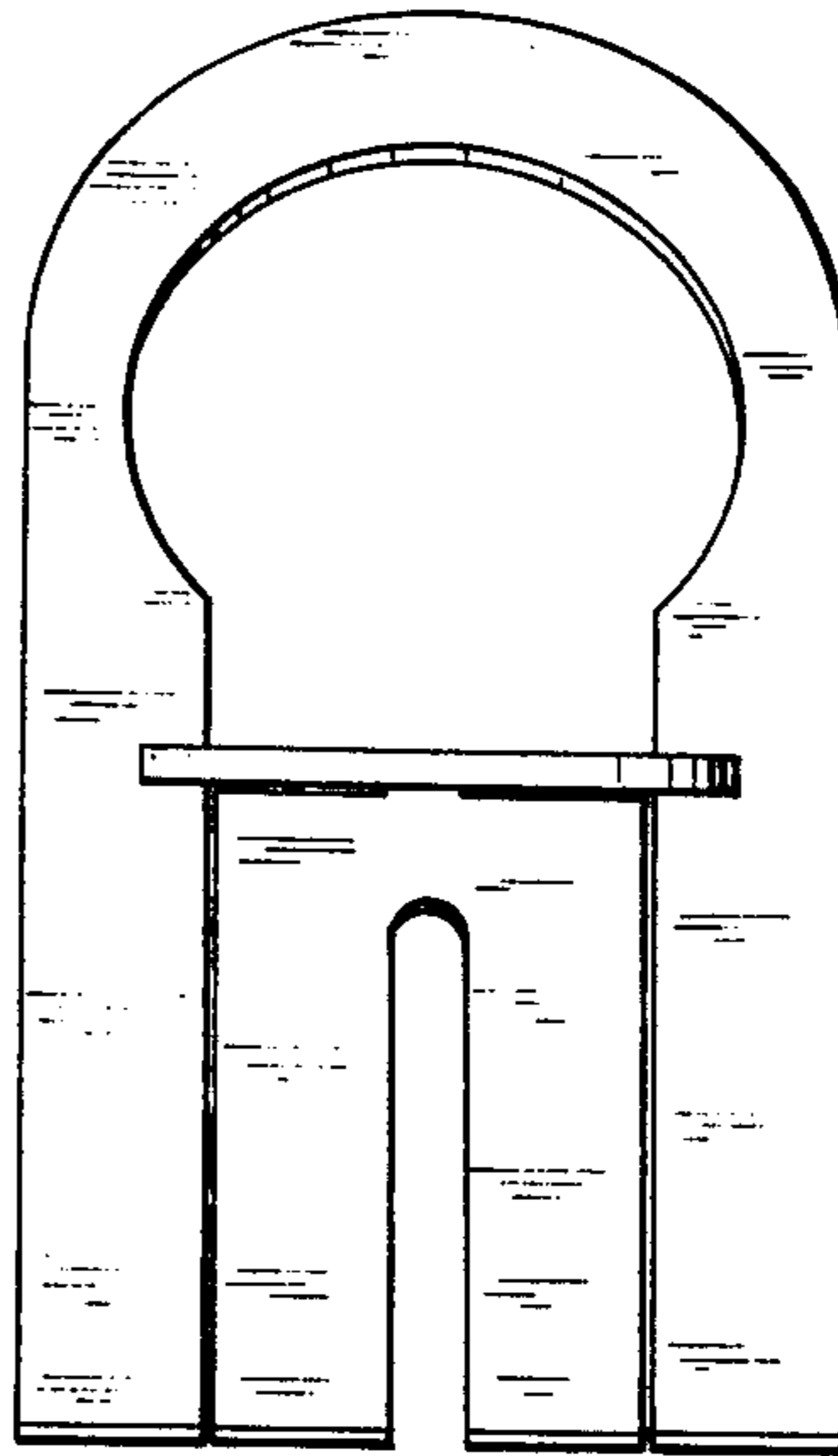


FIG. 2

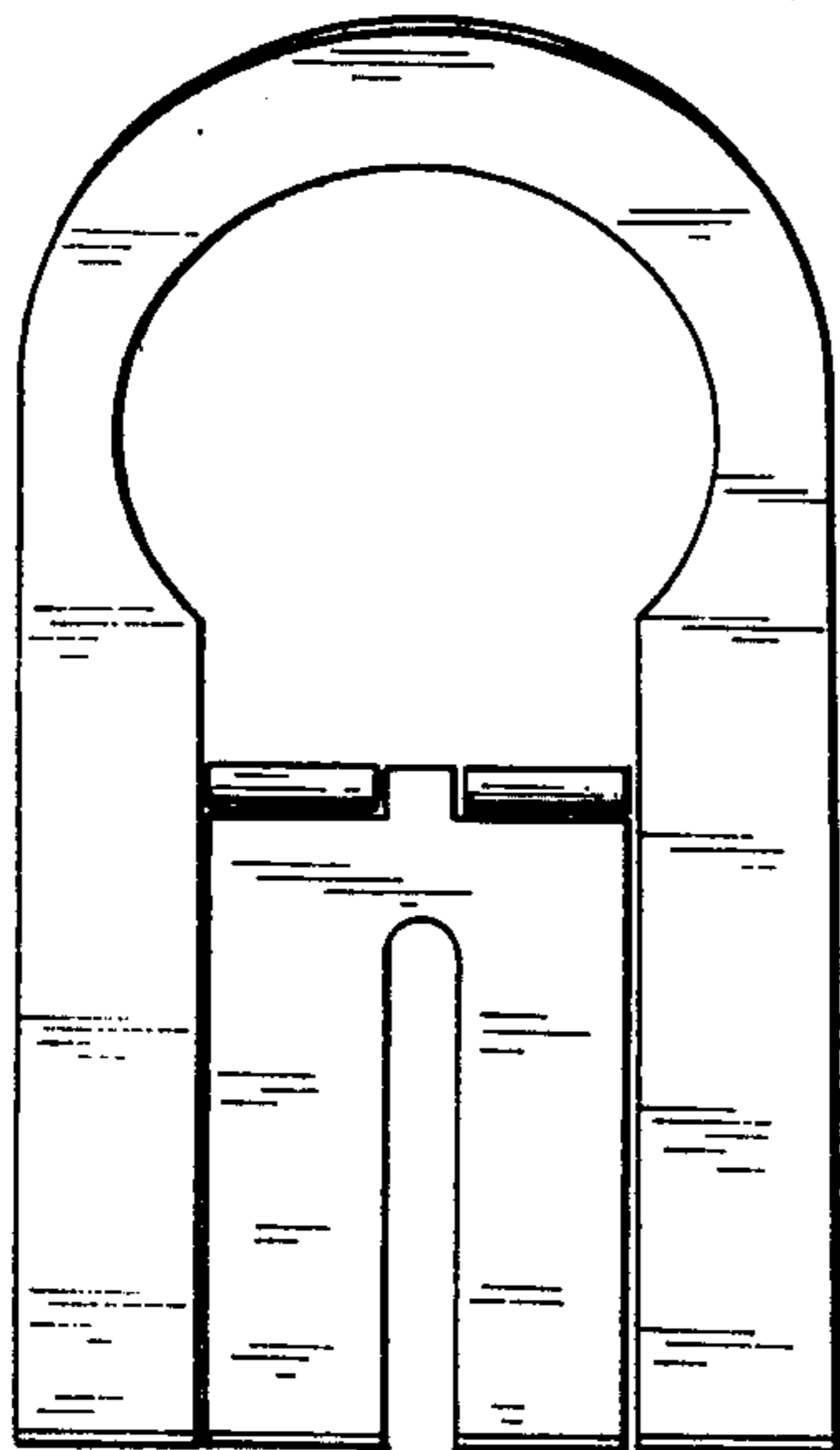


FIG. 3

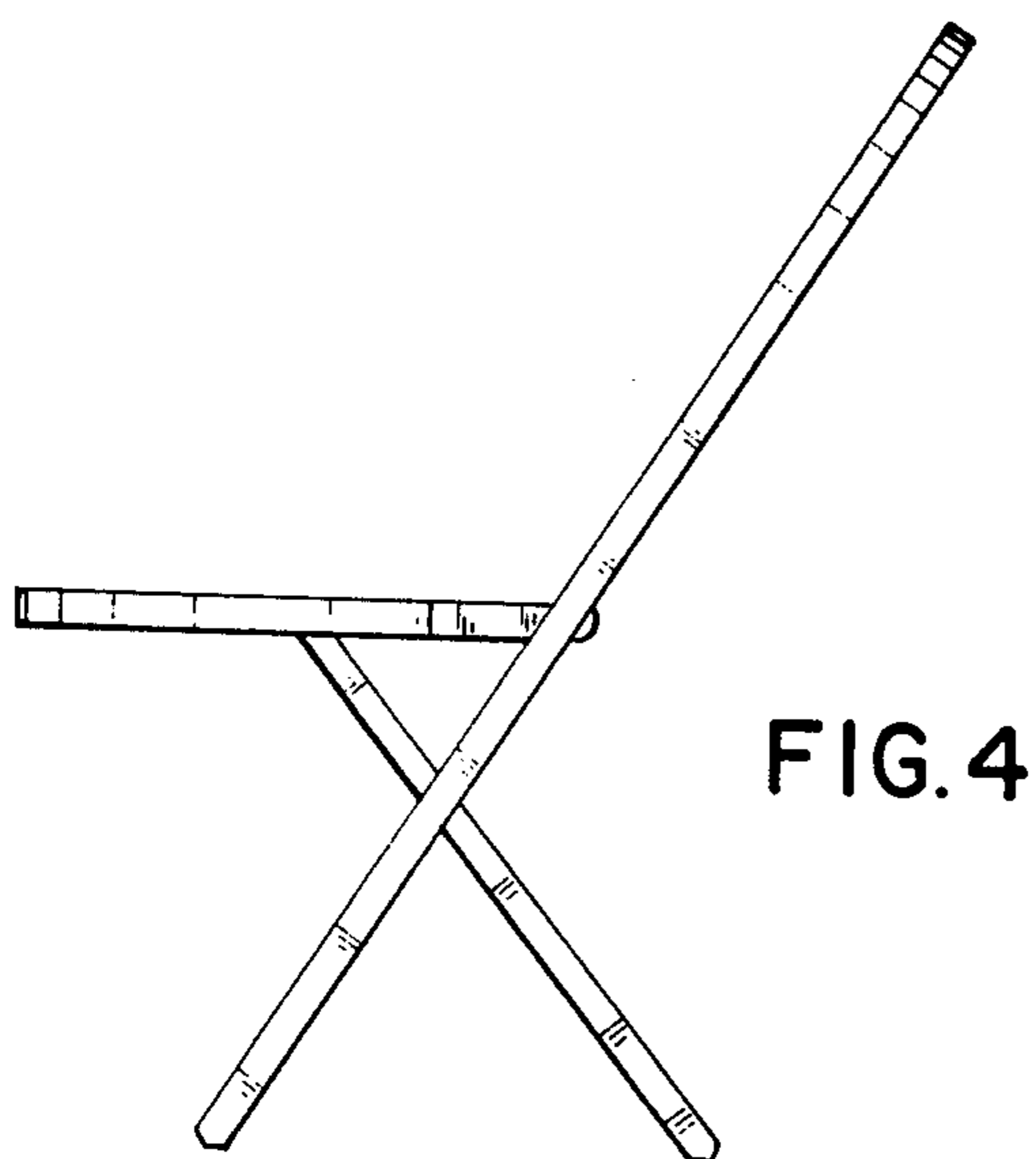


FIG. 4

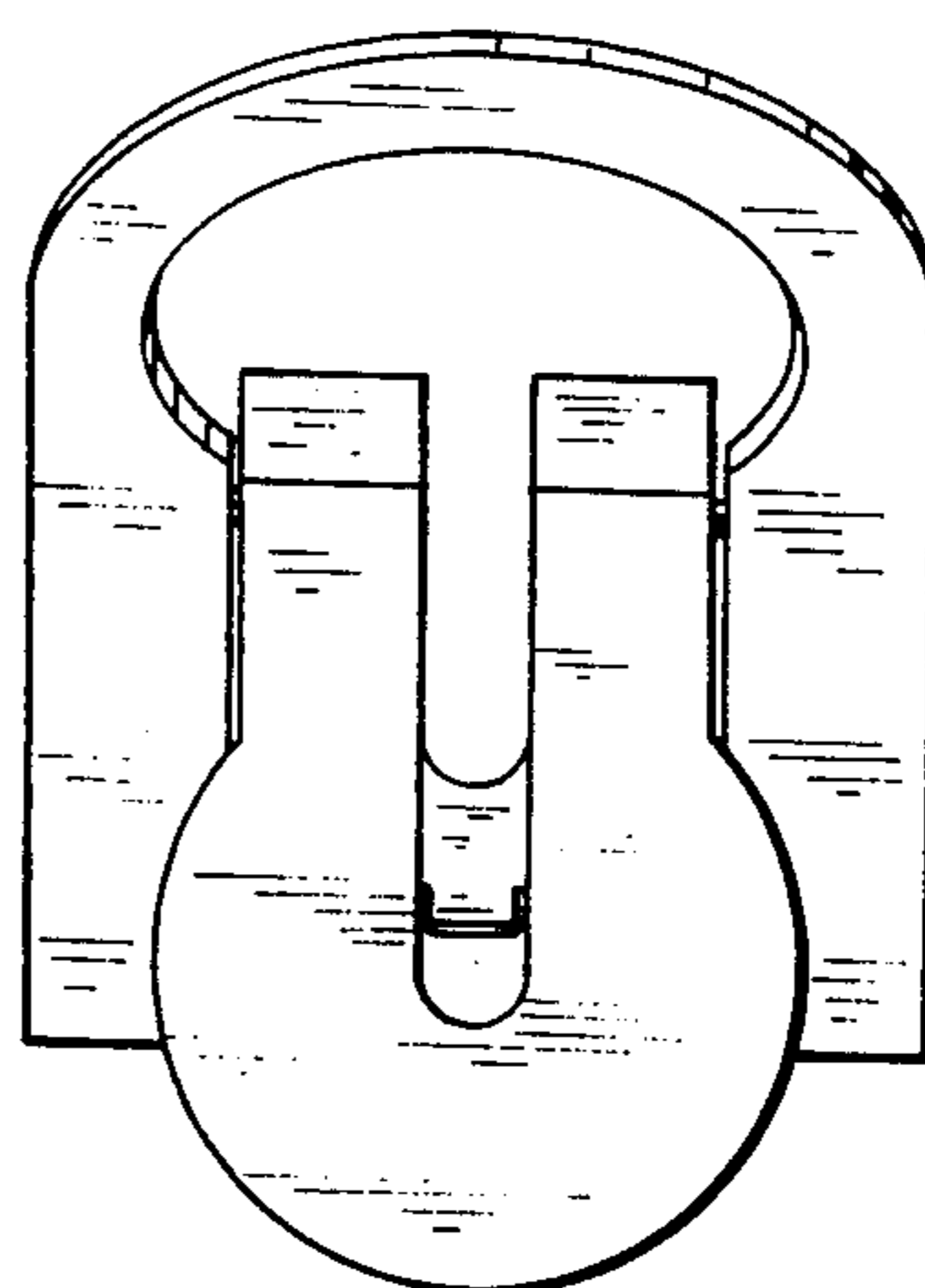


FIG. 5

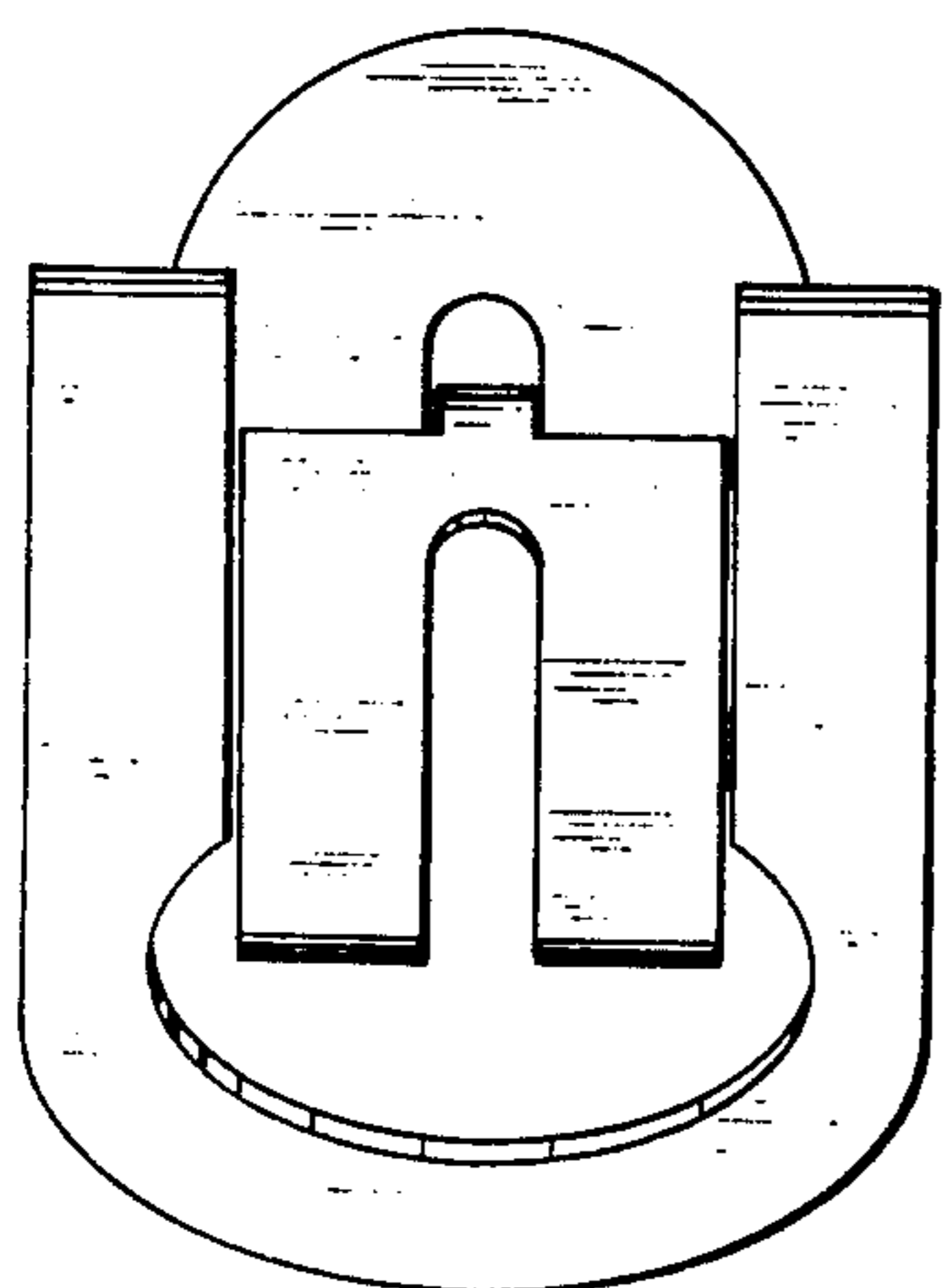


FIG. 6

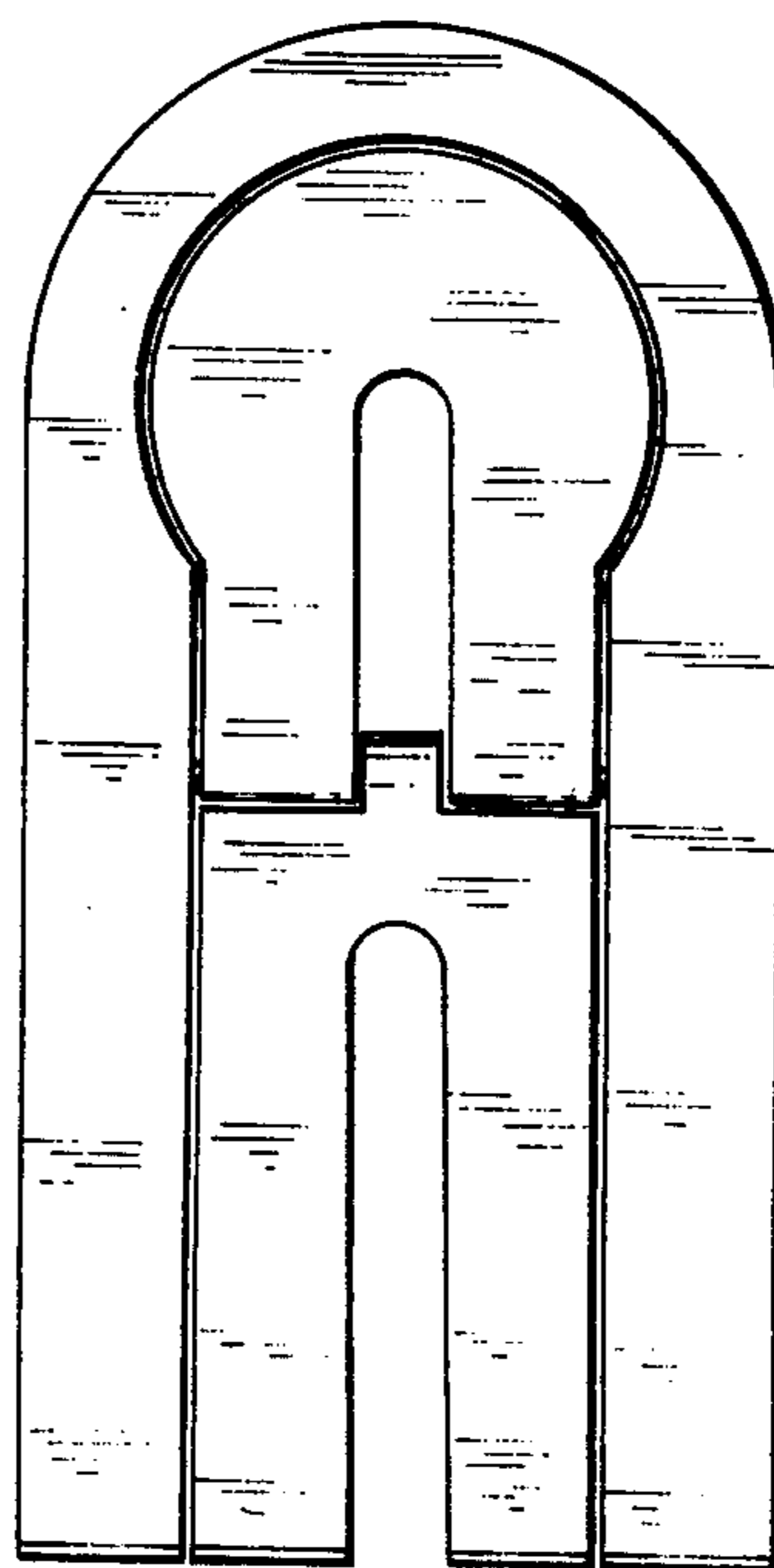


FIG. 7