

[54] TABLE FOR USE IN THE SELECTION AND FITTING OF EYEGLASSES

[76] Inventor: Edward B. Kleinman, 1675 E. Churchill Downs, Germantown, Tenn. 38138

[\*\*] Term: 14 Years

[21] Appl. No.: 32,858

[22] Filed: Apr. 24, 1979

[51] Int. Cl. .... D6-03

[52] U.S. Cl. .... D6/25; D6/27; D6/149; D6/157; D6/179; D6/188; D21/232

[58] Field of Search ..... D6/20, 23-25, D6/27-29, 146, 149, 157, 177, 179-181, 186, 188, 189, 190; D21/232; 108/28-31, 59, 92, 94, 150; 211/13

[56] References Cited

U.S. PATENT DOCUMENTS

- D. 175,790 10/1955 McCann ..... D6/179
- D. 233,088 10/1974 Skarky ..... D6/27
- D. 233,278 10/1974 Wilbourn ..... D6/27

Primary Examiner—Wallace R. Burke  
Assistant Examiner—B. J. Bullock  
Attorney, Agent, or Firm—Allan M. Lowe

[57] CLAIM

The ornamental design for a table for use in the selection and fitting of eyeglasses, as shown.

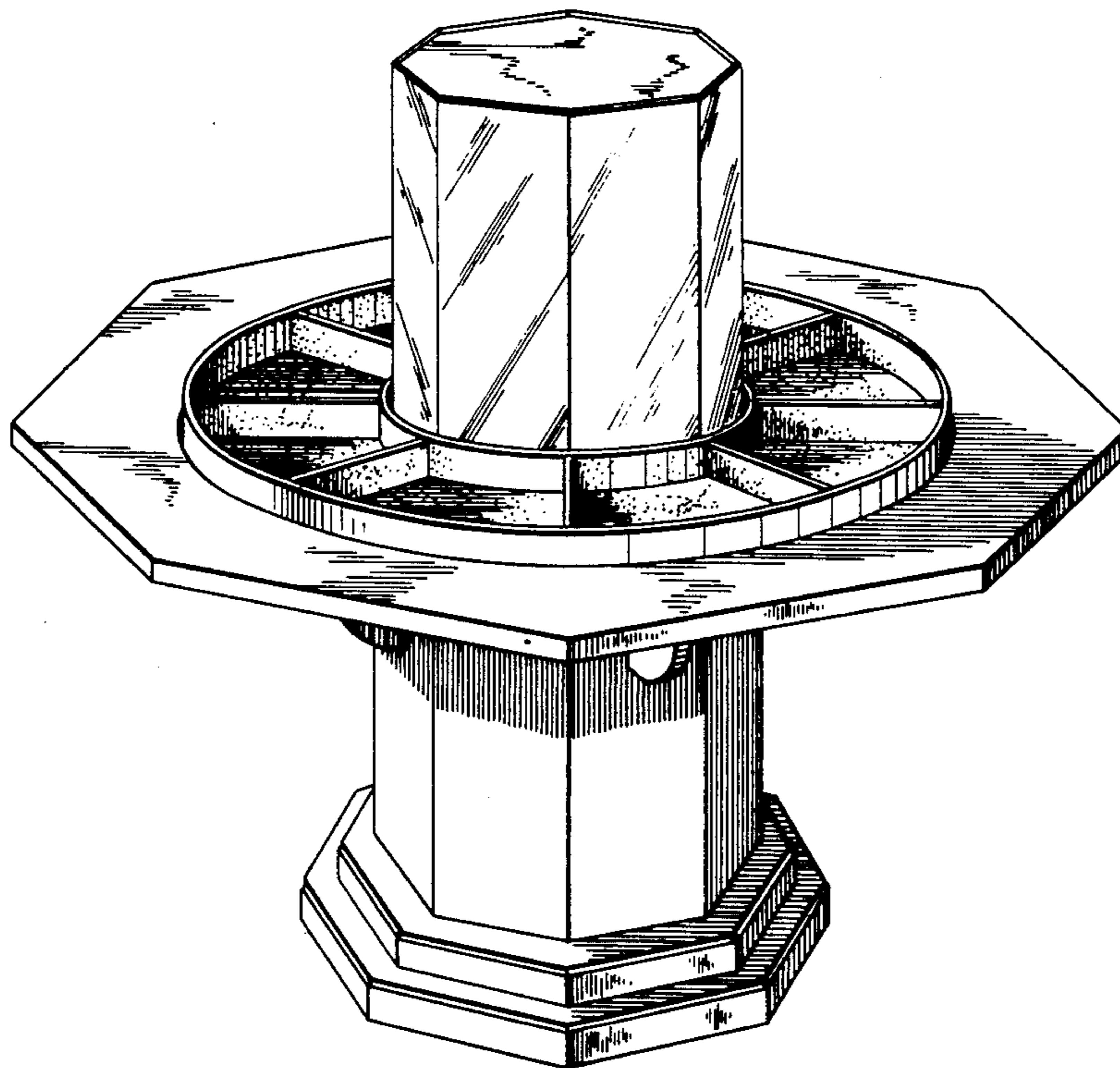
DESCRIPTION

FIG. 1 is a perspective view of a table for use in the selection and fitting of eyeglasses showing my new design;

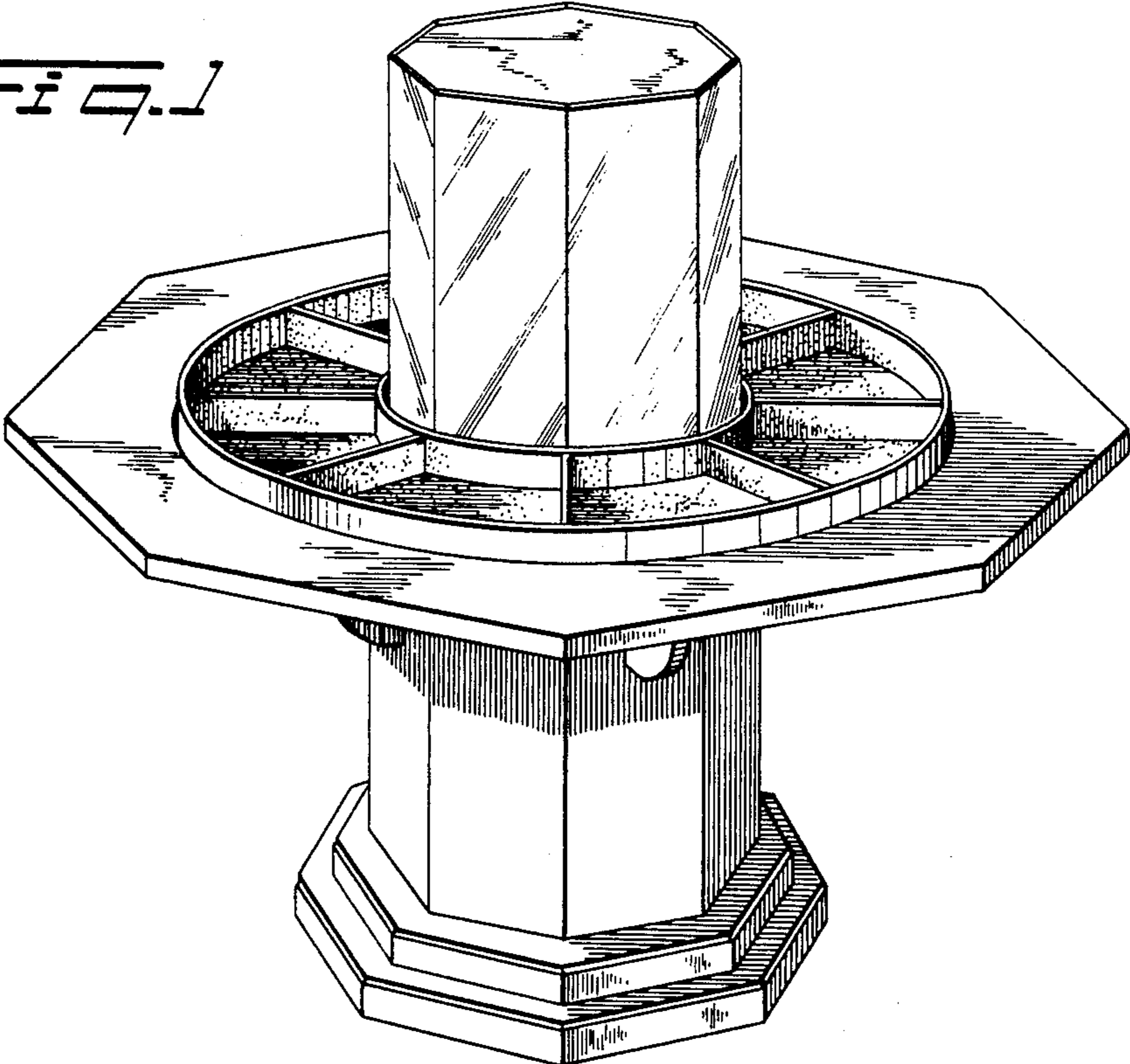
FIG. 2 is a side elevational view thereof;

FIG. 3 is a top plan view thereof, partially shown for ease of illustration;

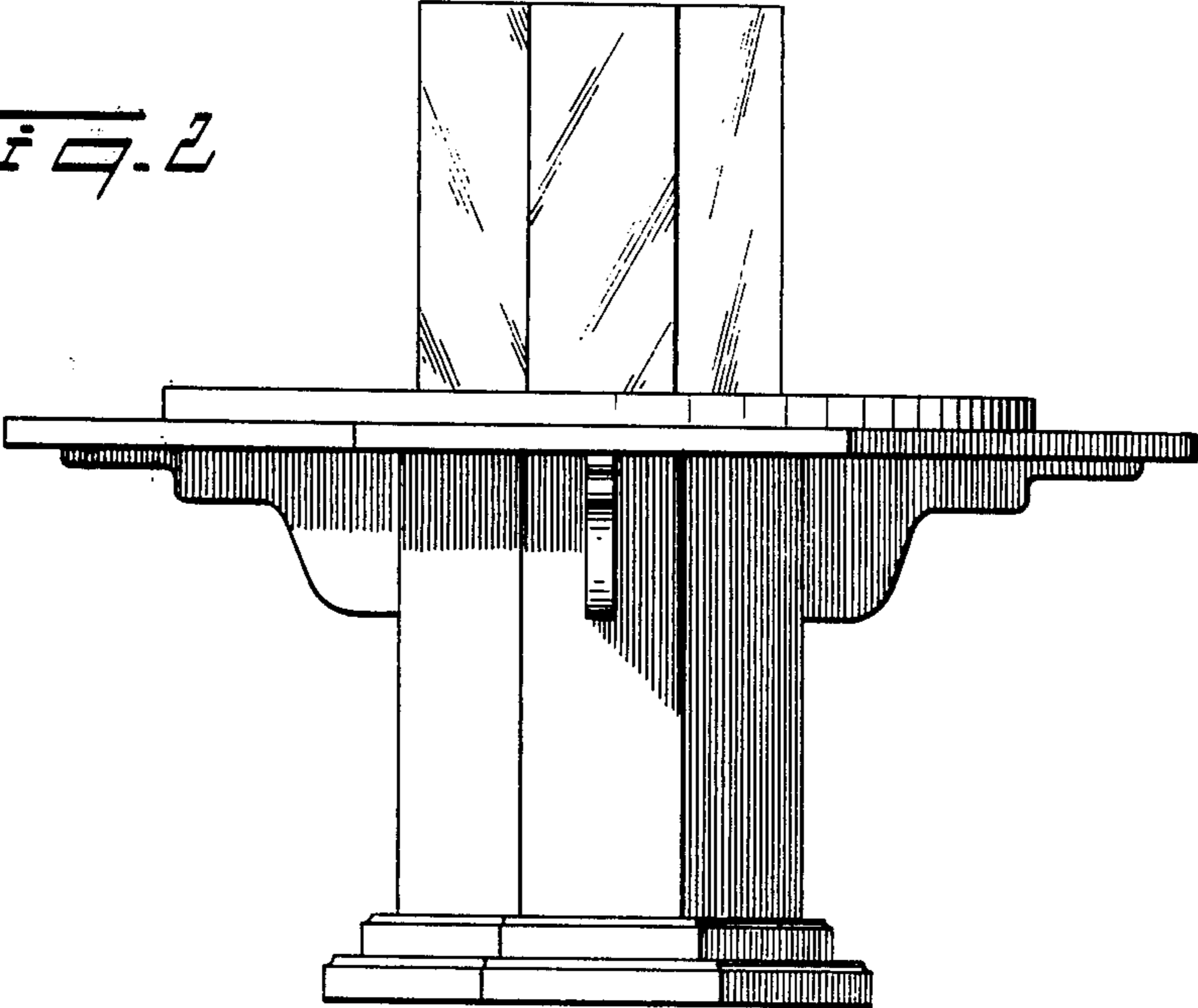
FIG. 4 is a bottom plan view thereof.

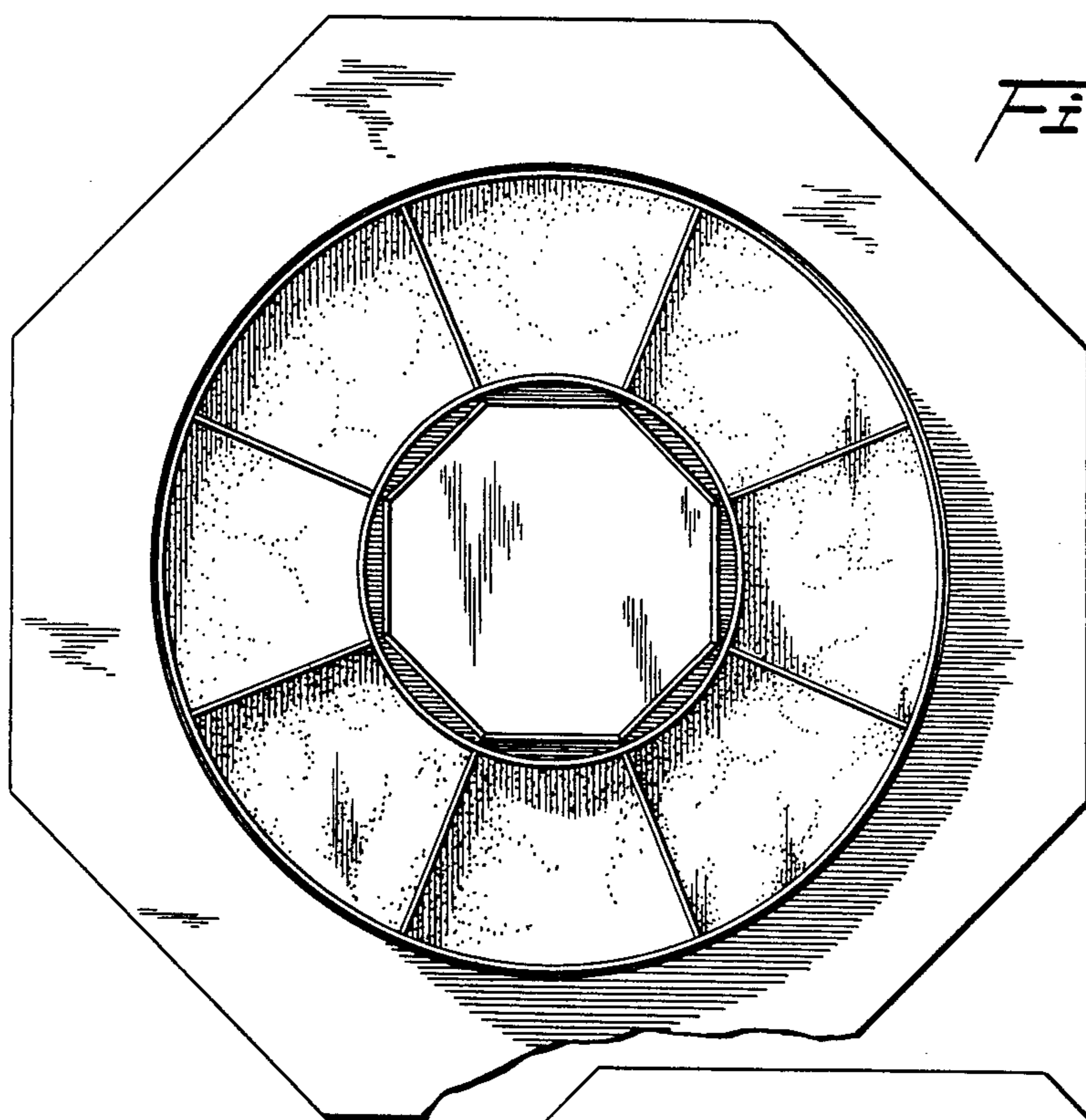


*FIG. 1*

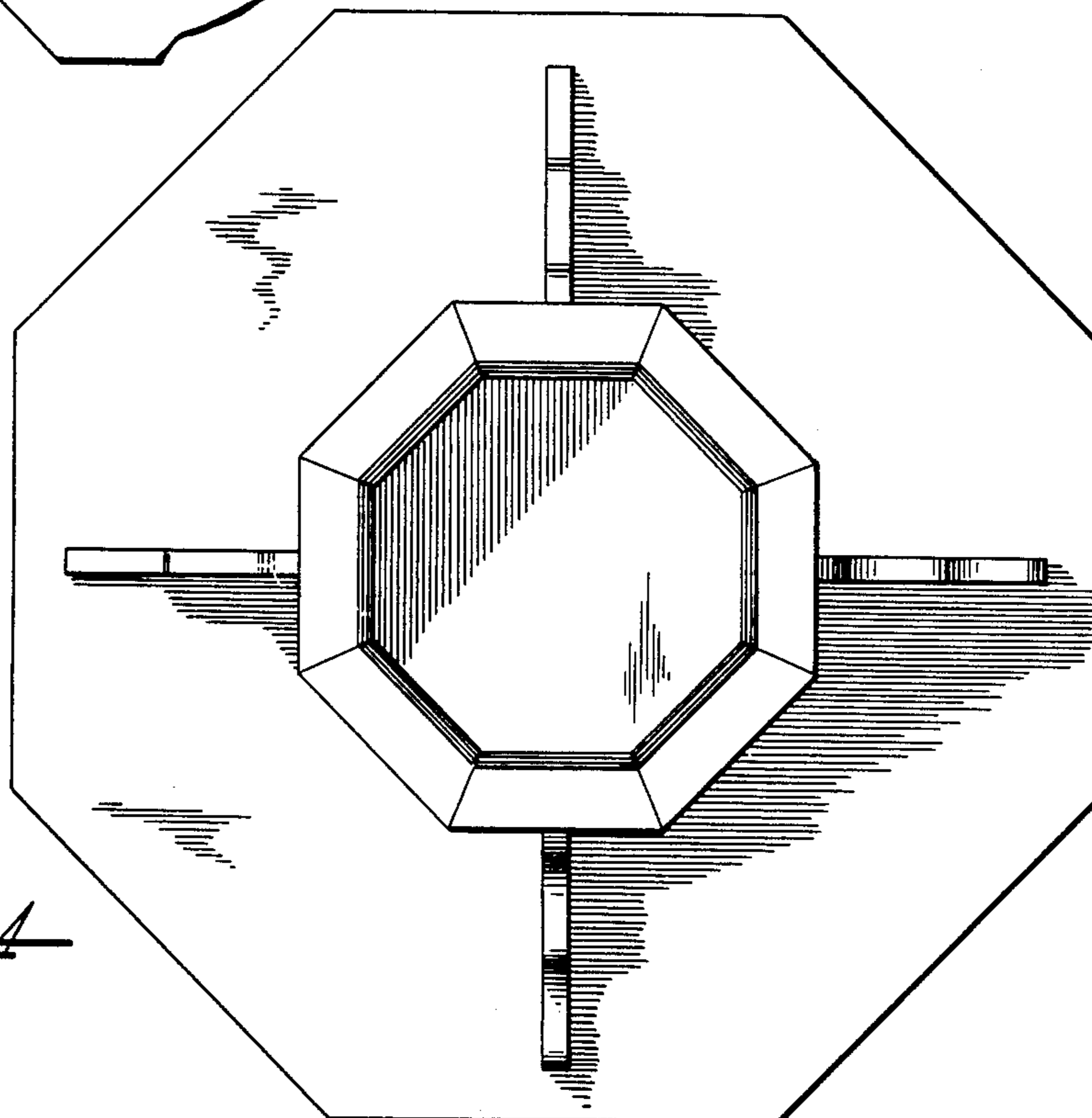


*FIG. 2*





*FIG. 3*



*FIG. 4*