

[54] CREDIT CARD HOLDER

[76] Inventor: Francis M. McGahee, P.O. Box 487,  
Orange Park, Fla. 32073

[\*\*] Term: 14 Years

[21] Appl. No.: 818,238

[22] Filed: Jul. 22, 1977

[51] Int. Cl. .... D3-02  
[52] U.S. Cl. .... D3/56  
[58] Field of Search ..... D87/1 R, 3 A, 3 R;  
D19/18, 20; D8/361; D16/38; 150/39; 40/2 R,  
10 R, 16, 17; D11/79; 206/39.5; D3/56;  
D2/400

[56]

References Cited

U.S. PATENT DOCUMENTS

D. 230,215	1/1974	Stein .....	D87/1 R
D. 239,578	4/1976	Woodard .....	D2/400
953,953	4/1910	Inglee .....	206/39.5
1,415,276	5/1922	Terner .....	206/39.5

Primary Examiner—Joel Stearman  
Assistant Examiner—George P. Word  
Attorney, Agent, or Firm—Harold A. Gell, Jr.

[57]

CLAIM

The ornamental design for a credit card holder, as shown.

DESCRIPTION

FIG. 1 is a perspective view of a credit card holder showing my new design.  
FIG. 2 is a top plan view thereof.  
FIG. 3 is a side elevational view thereof.  
FIG. 4 is a front elevational view thereof; and  
FIG. 5 is a bottom plan view.

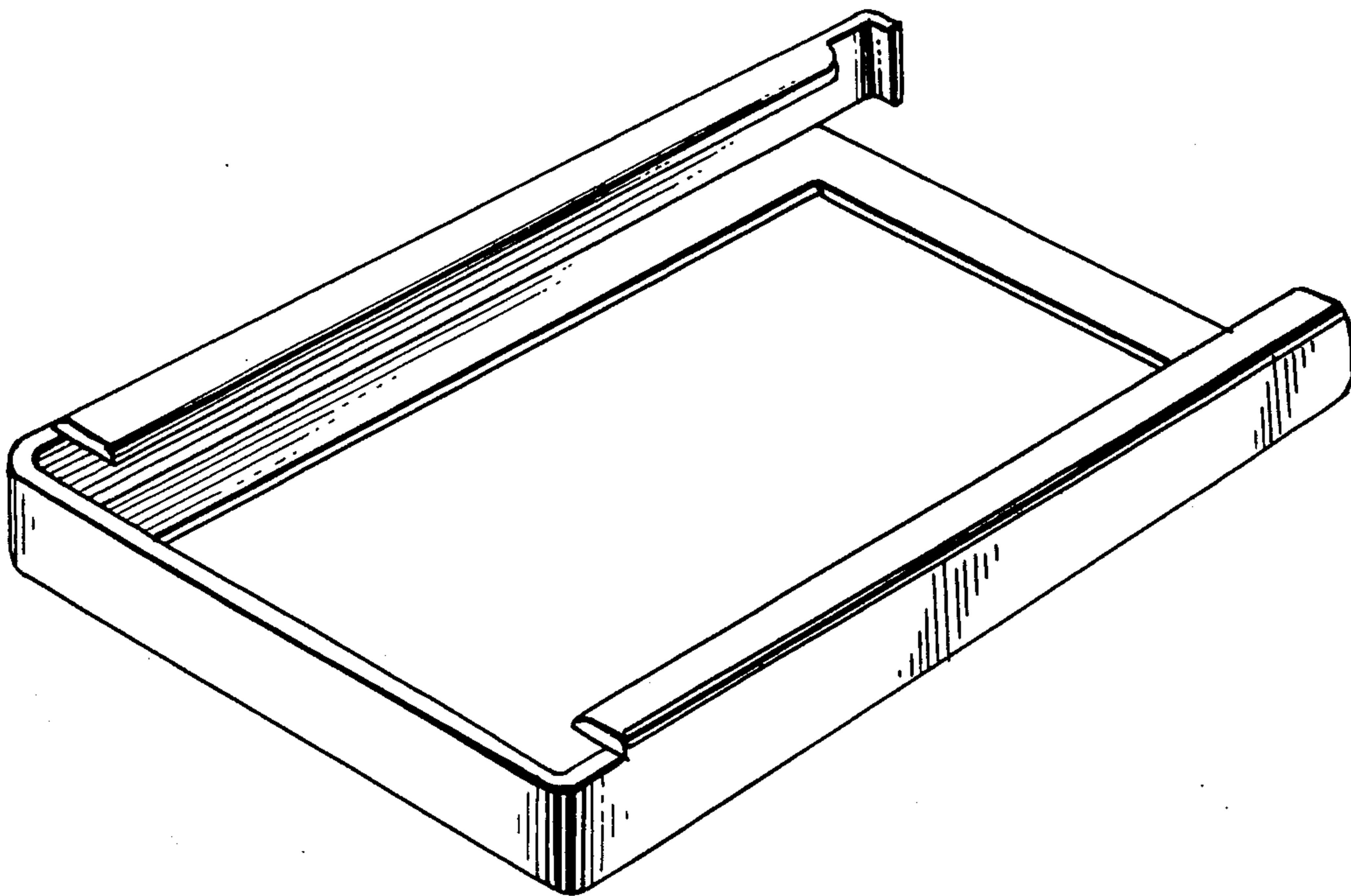


FIG 1.

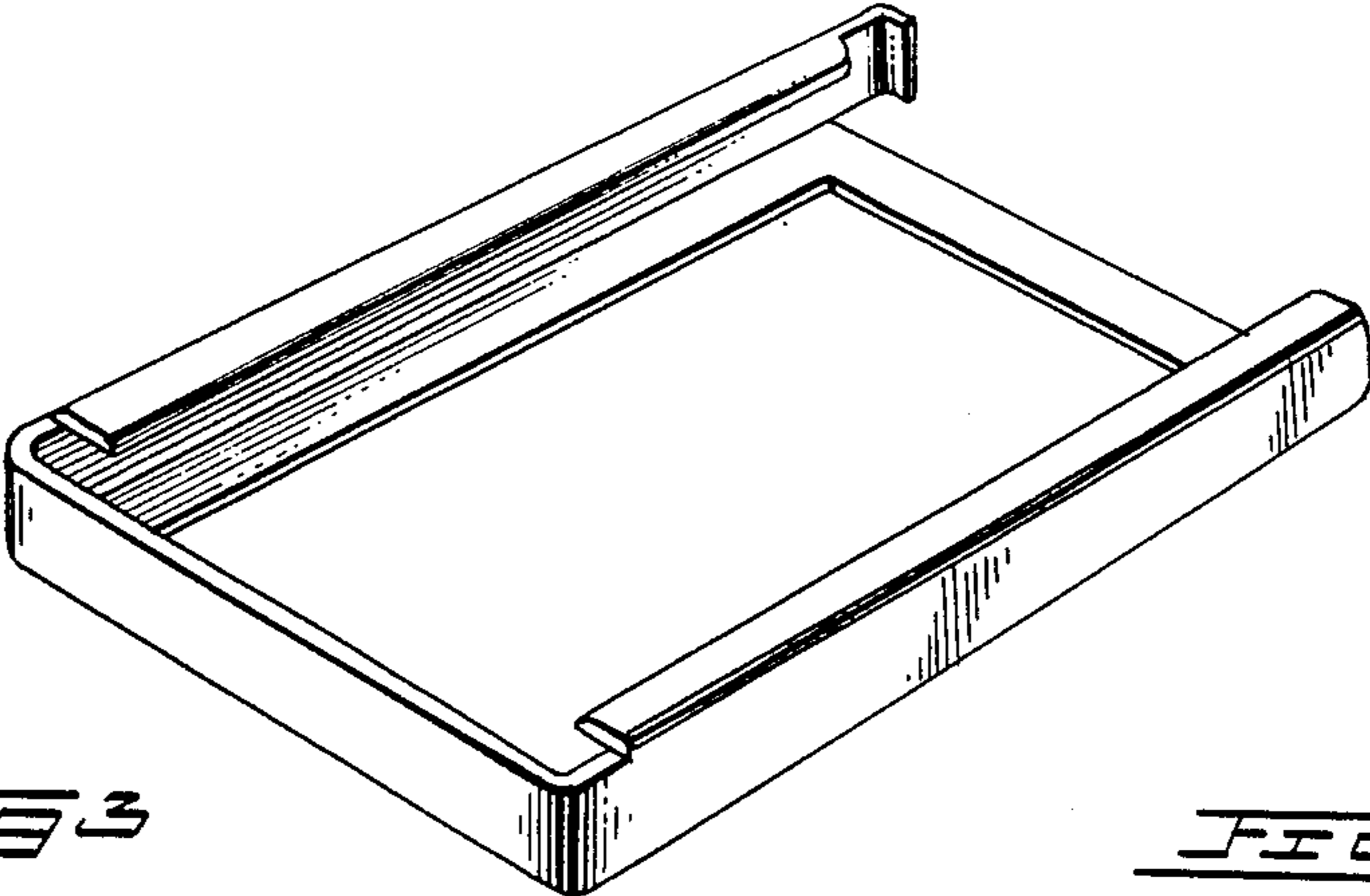


FIG 3

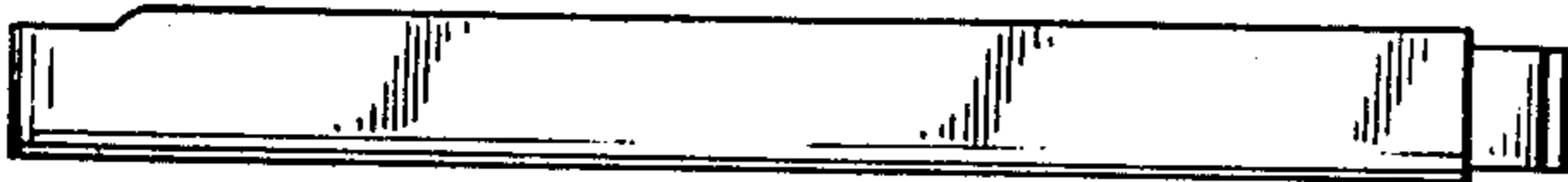


FIG 4

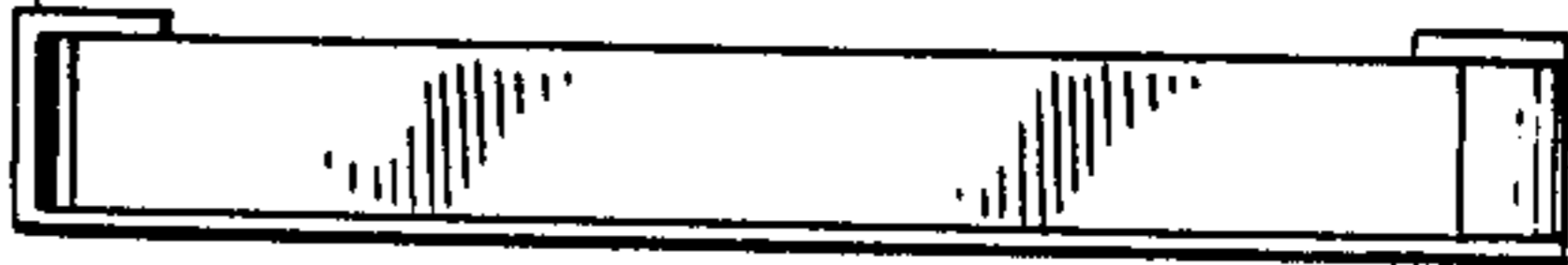


FIG 2.

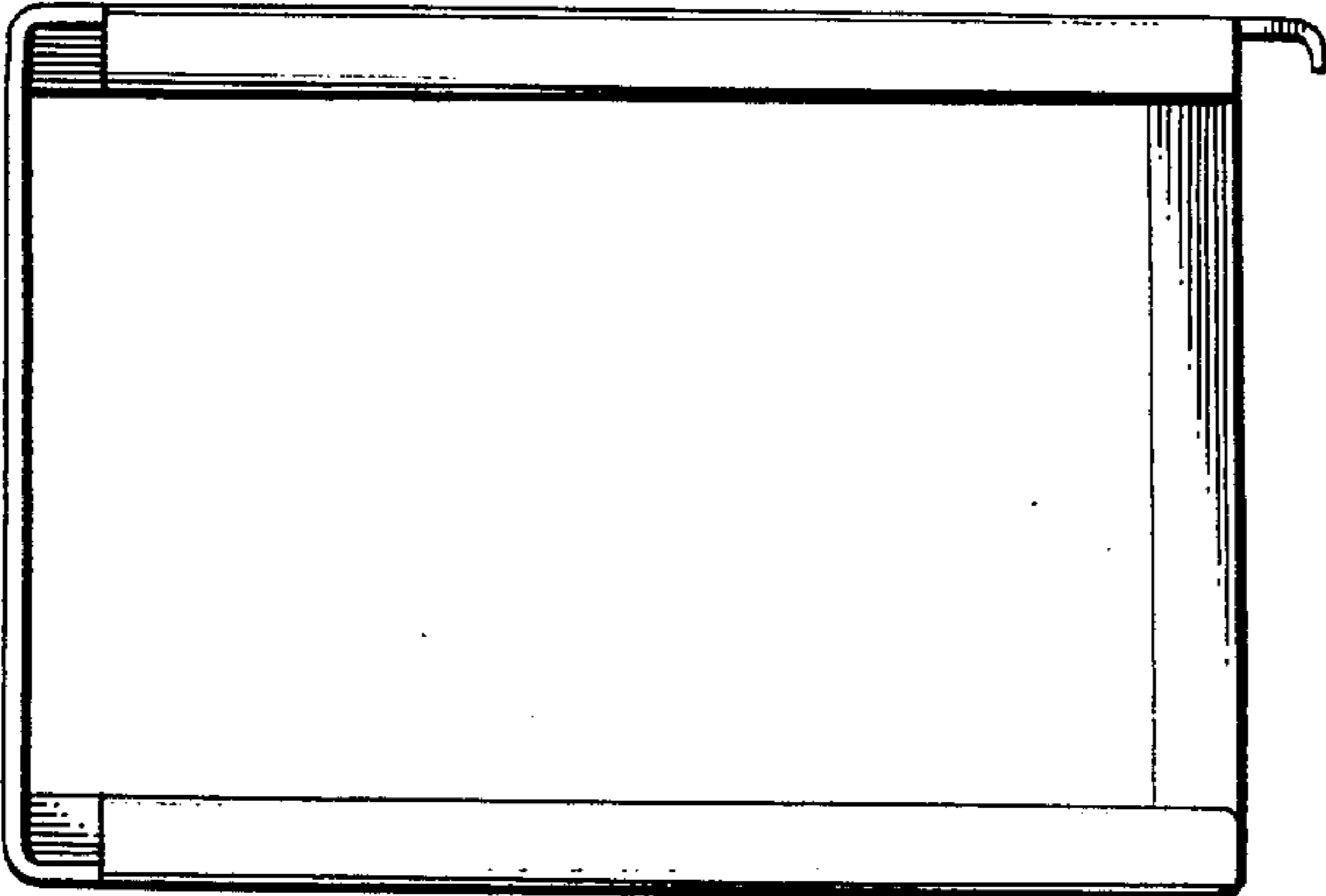


FIG 5

