

[54] SMALL ANIMAL HABITAT
 [76] Inventor: Peter DeSousa, 106 Webster St.,
 Rockland, Mass. 02370
 [**] Term: 14 Years
 [21] Appl. No.: 842,054
 [22] Filed: Oct. 14, 1977
 [51] Int. Cl. D30-02
 [52] U.S. Cl. D30/1
 [58] Field of Search D30/1-5,
 D30/41-99; 119/15

| | | | |
|------------|---------|-------------------------|----------|
| D. 240,238 | 6/1976 | Perkins et al. | D30/1 |
| D. 246,914 | 1/1978 | Dinnerstein et al. | D30/1 |
| 3,742,908 | 7/1973 | Merino | 119/15 |
| 3,789,799 | 2/1974 | Orfei | 119/15 |
| 3,865,082 | 2/1975 | Lovitz et al. | 119/15 |
| 3,958,534 | 5/1976 | Perkins et al. | 119/15 |
| 3,999,519 | 12/1976 | Rodemeyer | 119/15 X |
| 4,027,626 | 6/1977 | DeSousa | 119/15 |

Primary Examiner—James R. Largen
 Attorney, Agent, or Firm—Richard F. Benway

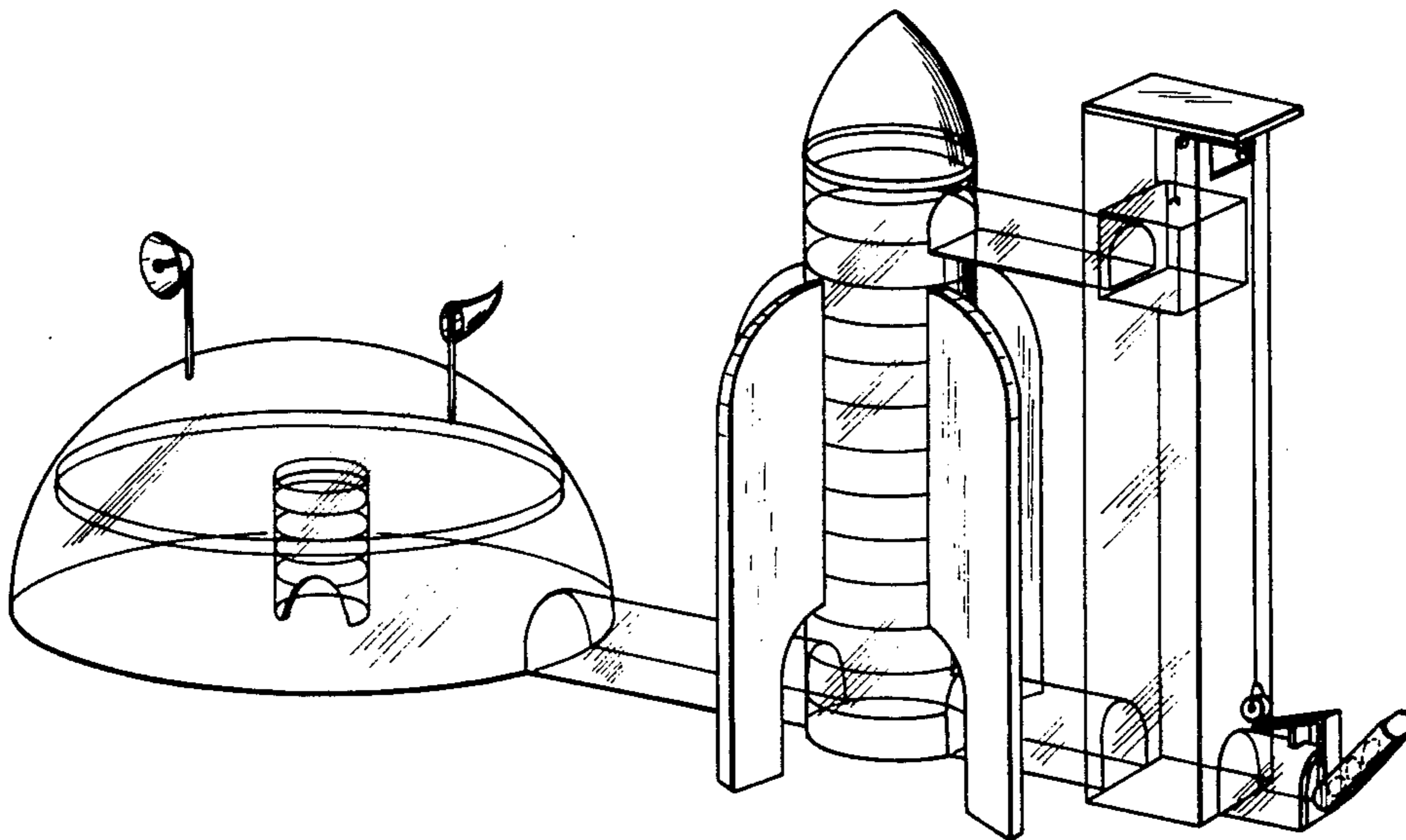
[57] CLAIM

The ornamental design for a small animal habitat, as shown and described.

DESCRIPTION

FIG. 1 is a perspective view of a small animal habitat showing my new design; and FIG. 2 is a side elevational view thereof. The broken line representation of food in FIGS. 1 and 2 are for purposes of illustration only.

[56] References Cited
 U.S. PATENT DOCUMENTS
 D. 231,371 4/1974 Willinger et al. D30/42
 D. 232,036 7/1974 Willinger et al. D30/42
 D. 235,111 5/1975 Lovitz et al. D30/1



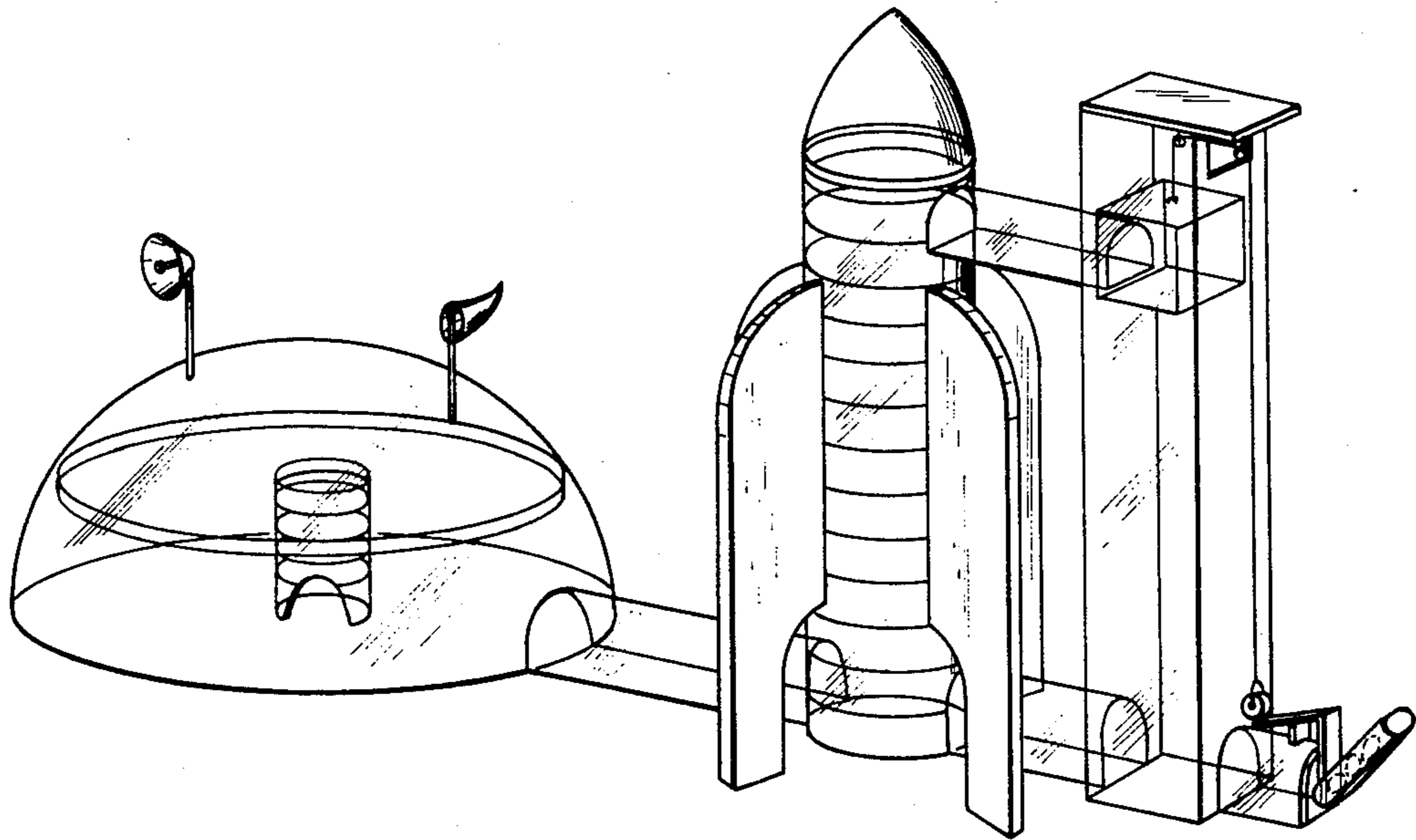


FIG. 1

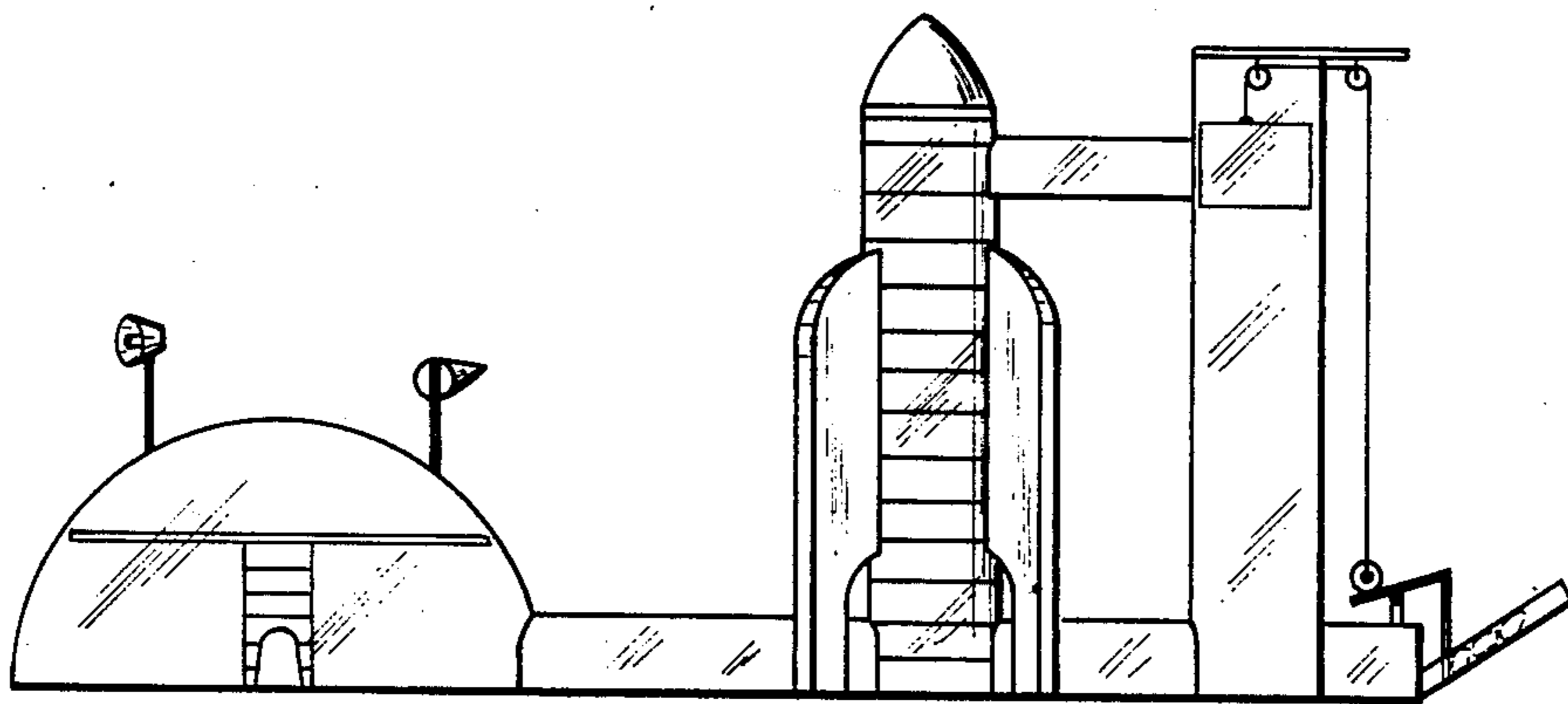


FIG. 2