

[54] ARM EXERCISER

[76] Inventor: Salvatore Ozzimo, P.O. Box 276, Perry, N.Y. 14530

[**] Term: 14 Years

[21] Appl. No.: 928,698

[22] Filed: Jul. 27, 1978

Related U.S. Application Data

[63] Continuation-in-part of Ser. No. 763,069, Jan. 27, 1977, abandoned.

[51] Int. Cl. D21-02

[52] U.S. Cl. D21/195

[58] Field of Search D21/191, 195, 196, 197, D21/198; 272/93, 102, 103, 109, 67, 68, 72, 116, 125, 134, 139, 141

[56] References Cited

U.S. PATENT DOCUMENTS

D. 237,634 11/1975 Ricketts D21/195

911,925	2/1909	Zeno	272/67
2,782,033	2/1957	Ugartechea	272/67
3,559,487	2/1971	Parlato	D21/198
3,947,025	3/1976	Hobby	272/67

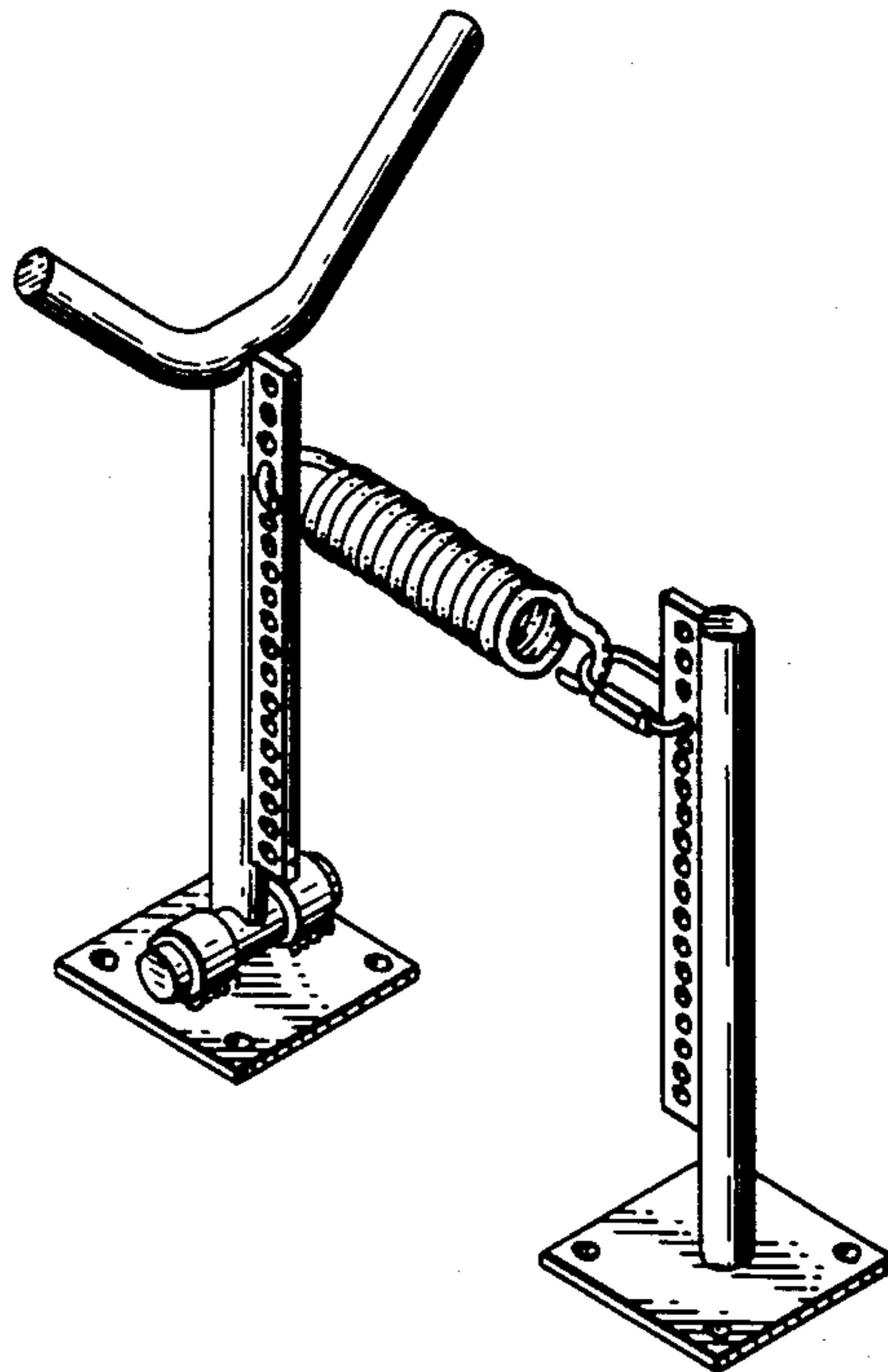
Primary Examiner—Charles A. Rademaker
Attorney, Agent, or Firm—John B. Bean

[57] CLAIM

The ornamental design for an arm exerciser, as shown and described.

DESCRIPTION

FIG. 1 is a front perspective view of an arm exerciser showing my new design;
FIG. 2 is a top plan view thereof;
FIG. 3 is a front elevational view thereof;
FIG. 4 is a rear elevational view thereof;
FIG. 5 is a side elevational view thereof;
FIG. 6 is a side elevational view of the side opposite that shown in FIG. 5;
FIG. 7 is a front perspective view of a modified form of the design shown in FIGS. 1 through 6; and,
FIG. 8 is a rear perspective view thereof.



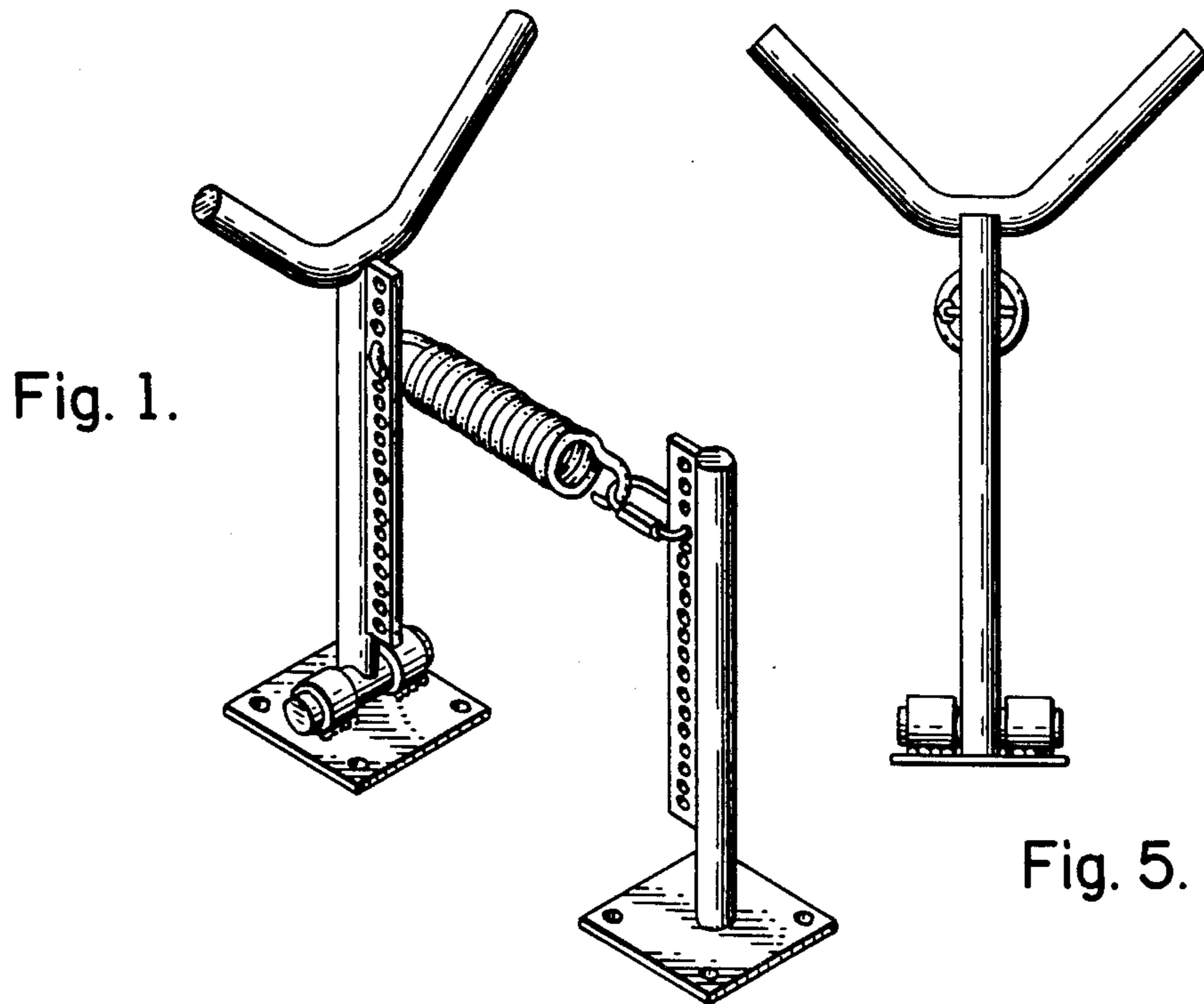


Fig. 1.

Fig. 5.

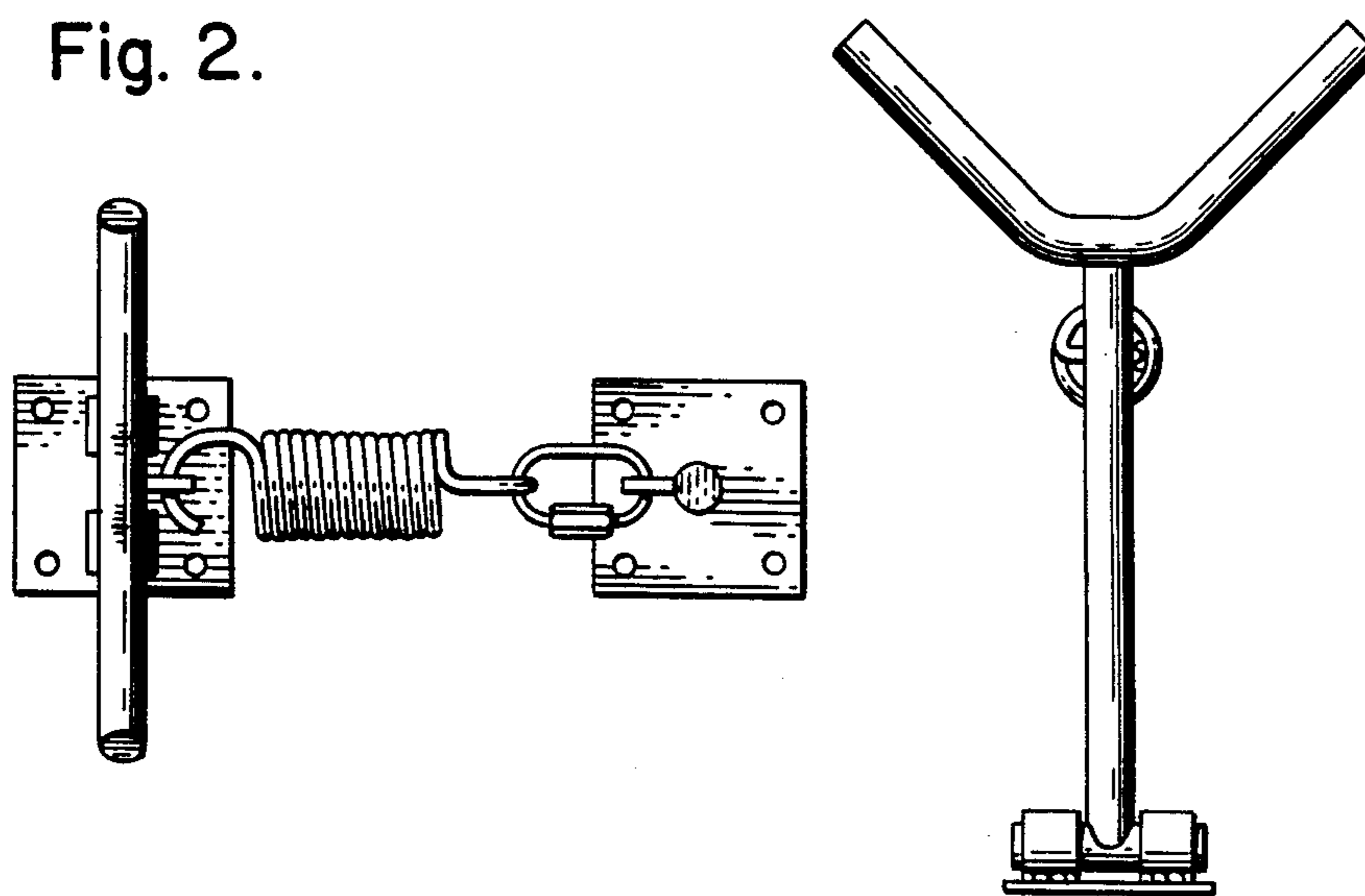


Fig. 2.

Fig. 6.

Fig. 3.

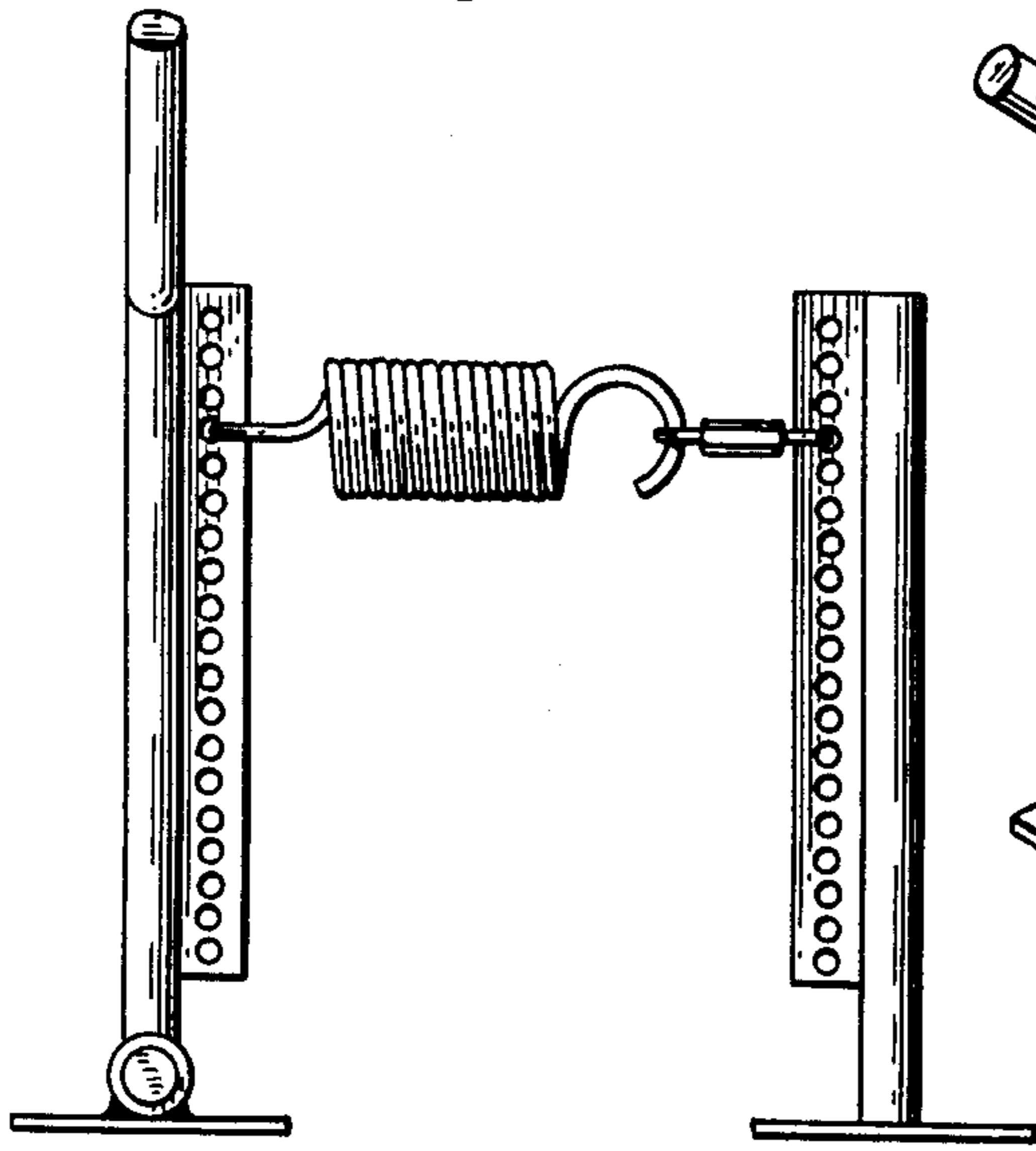


Fig. 7.

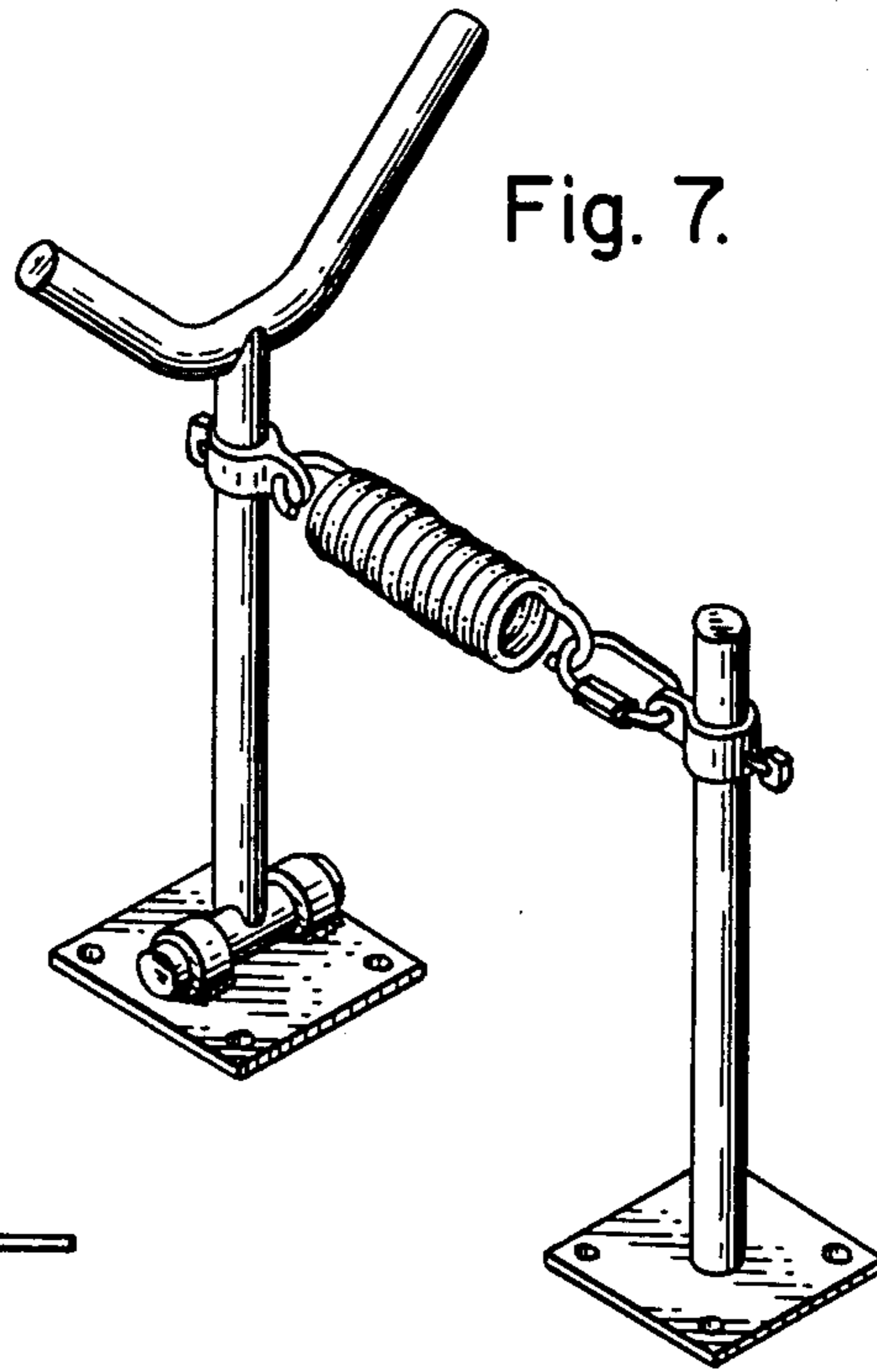


Fig. 4.

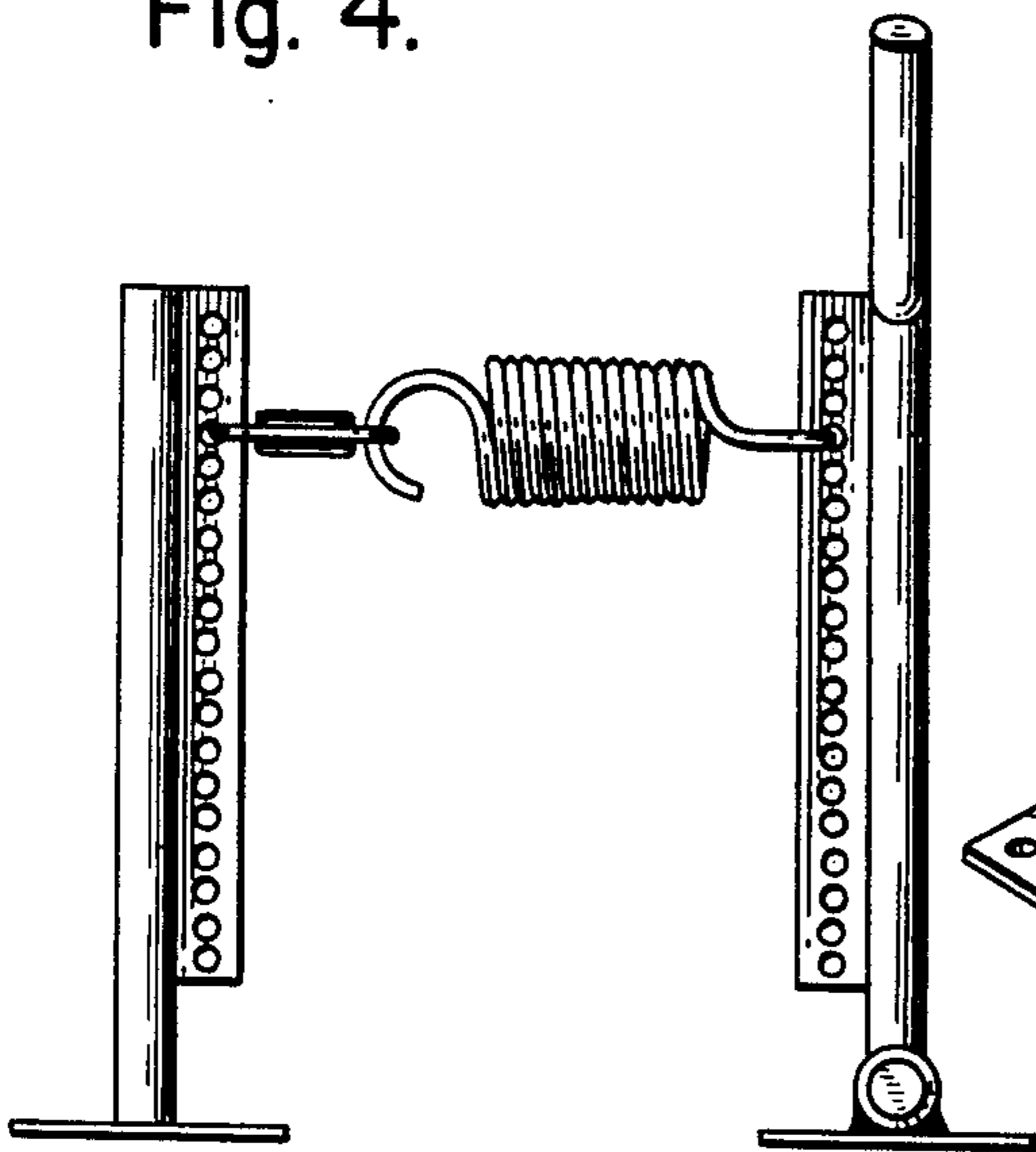


Fig. 8.

