

[54] TOY BUILDING BLOCK

[76] Inventor: Leonard Allard, 16 Queen Crescent, Aylmer, Quebec, Canada

[**] Term: 14 Years

[21] Appl. No.: 893,739

[22] Filed: Apr. 5, 1978

[30] Foreign Application Priority Data

Feb. 3, 1978 [CA] Canada 0302785

[51] Int. Cl. D21-01

[52] U.S. Cl. D21/108

[58] Field of Search D21/108, 107, 51; 46/16, 23, 24, 25, 26, 27, 28, 29; D25/80, 81, 82, 98

[56] References Cited

U.S. PATENT DOCUMENTS

D. 241,310	9/1976	Bolt	D21/108
1,809,508	6/1931	Colby	46/25
2,996,832	8/1961	Rubin	D21/108
3,089,269	5/1963	McKiernan	46/16

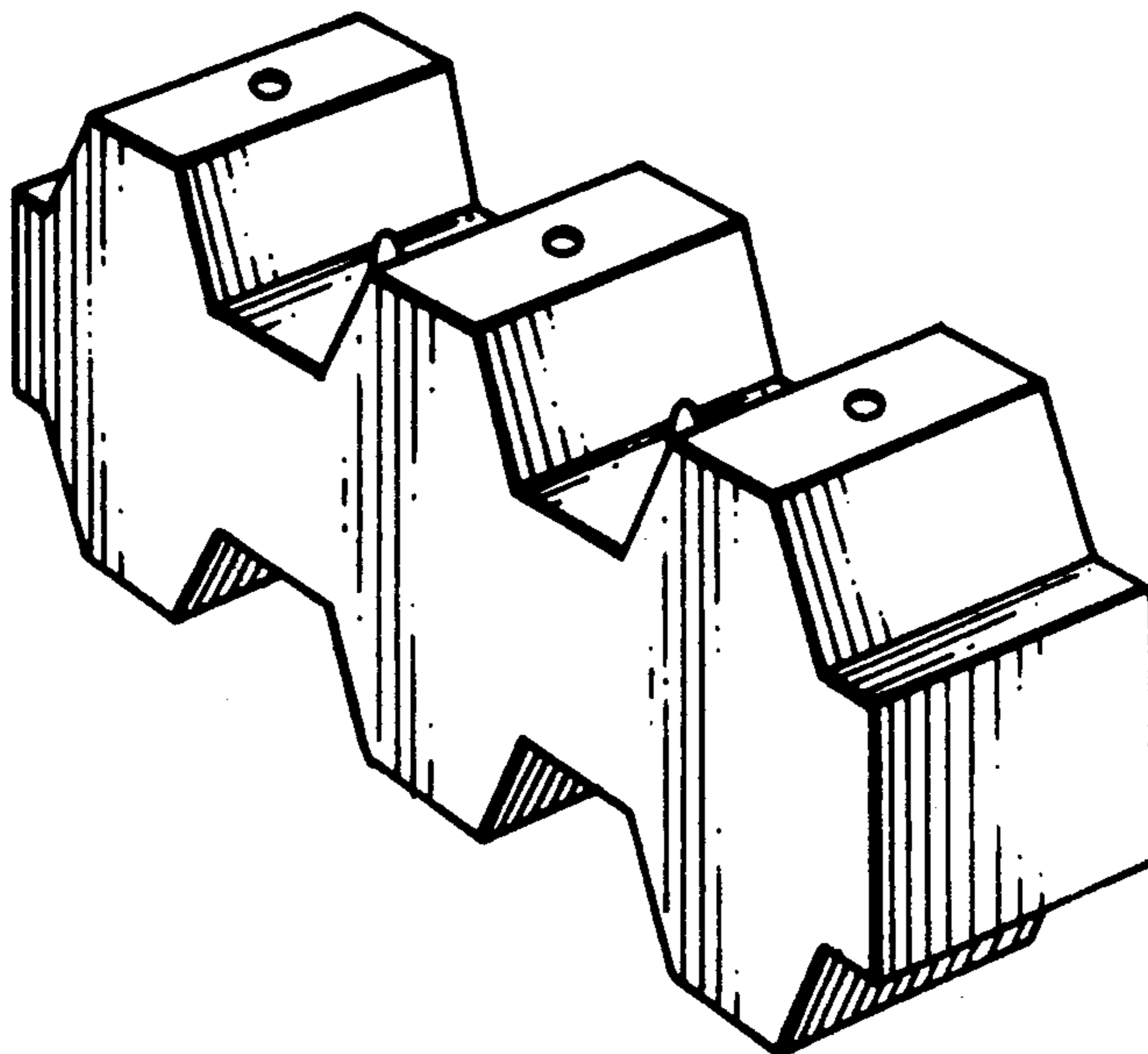
Primary Examiner—Charles A. Rademaker
Attorney, Agent, or Firm—Lawrence I. Field

[57] CLAIM

The ornamental design for a toy building block, as shown and described.

DESCRIPTION

FIG. 1 is perspective view of a toy building block showing my new design;
FIG. 2 is a front elevational view thereof the side opposite being substantially identical;
FIG. 3 is a top plan view thereof the bottom plan view being substantially identical; and,
FIG. 4 is an end elevational view thereof, the end opposite being substantially identical.



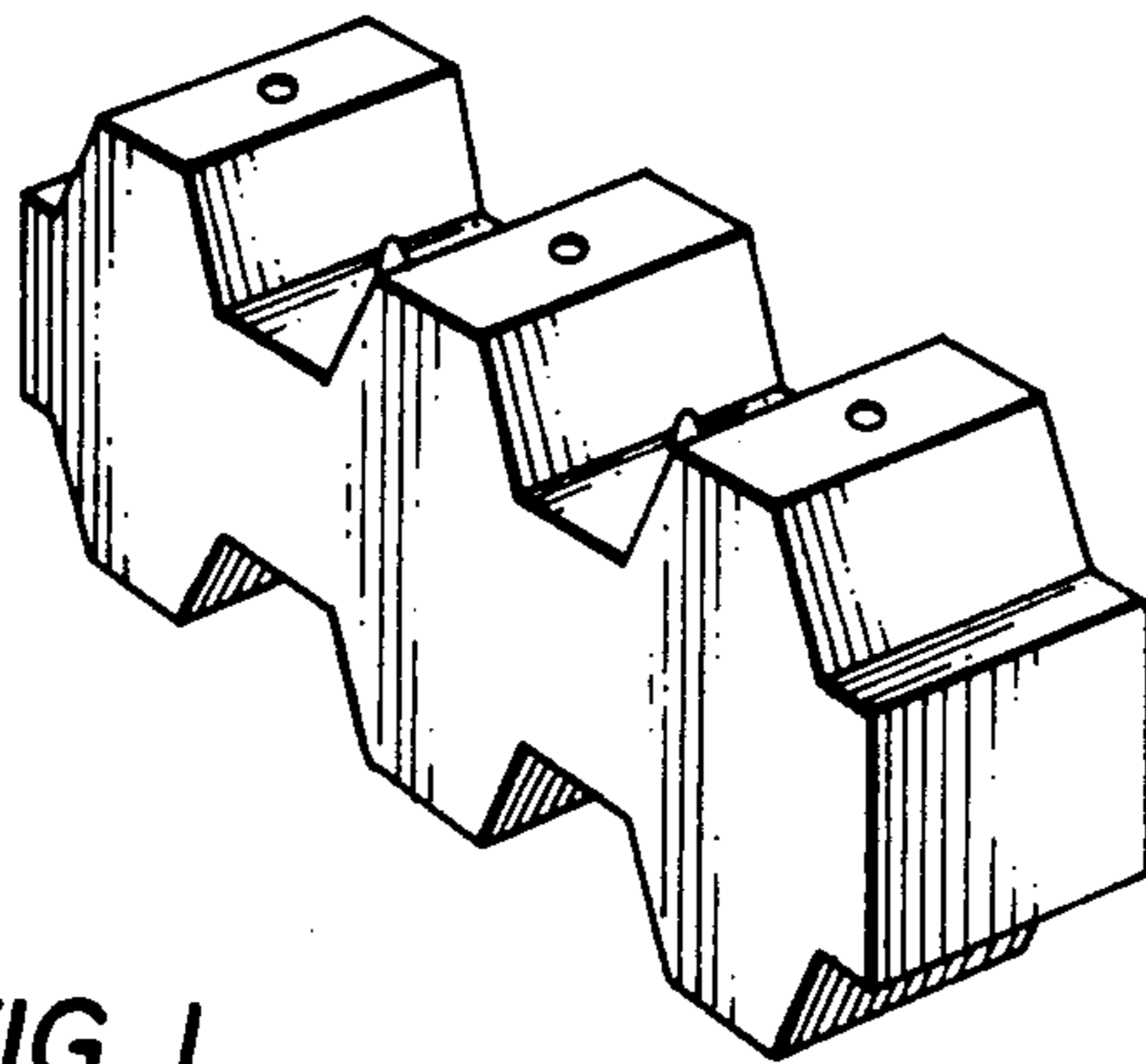


FIG. 1

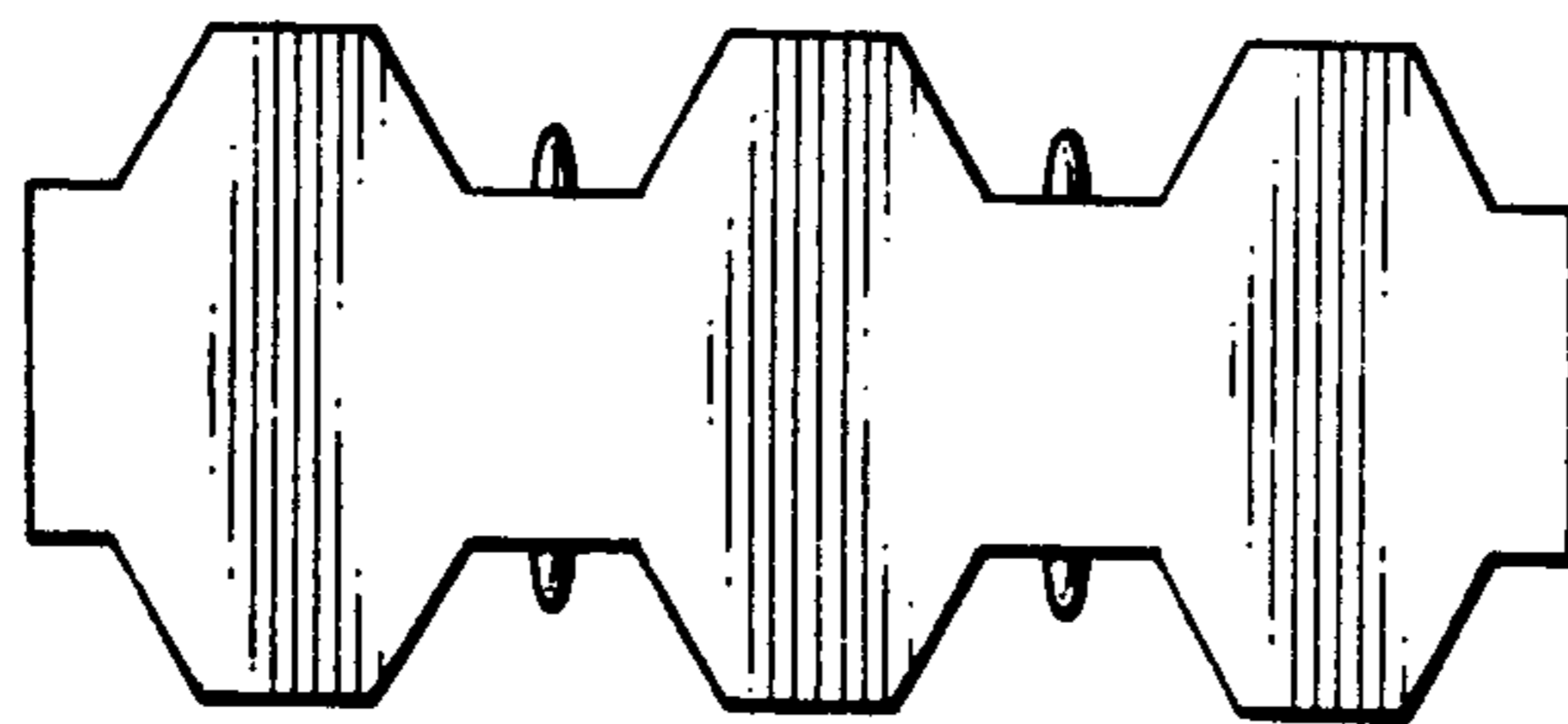


FIG. 2

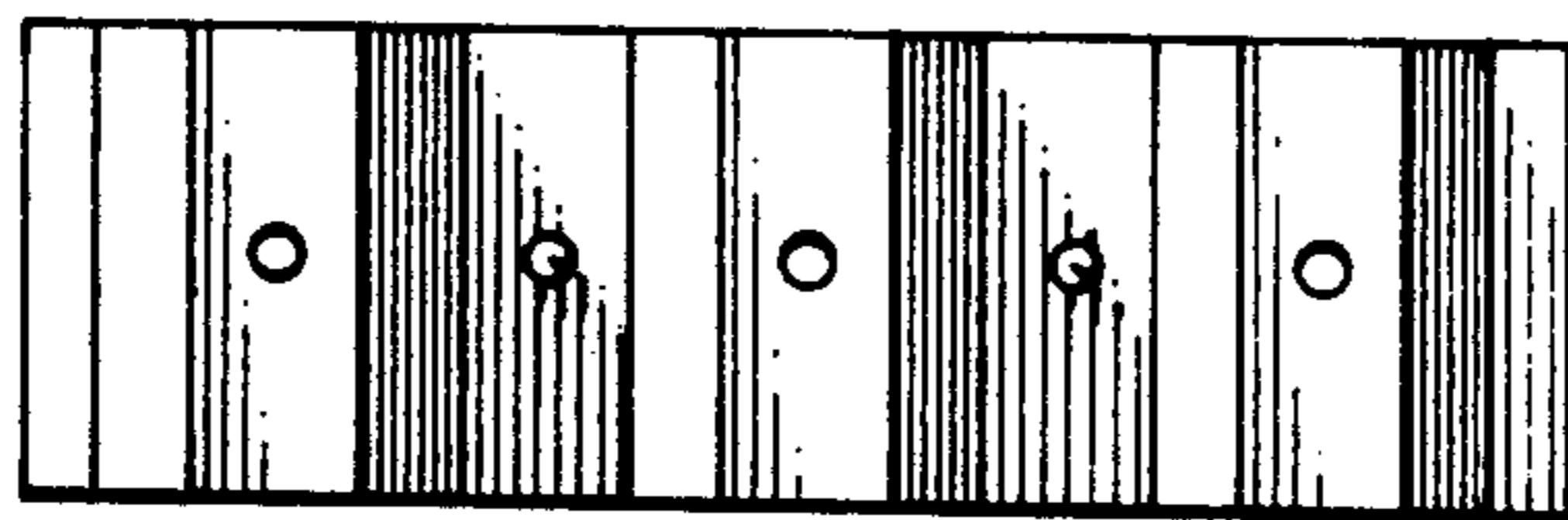


FIG. 3

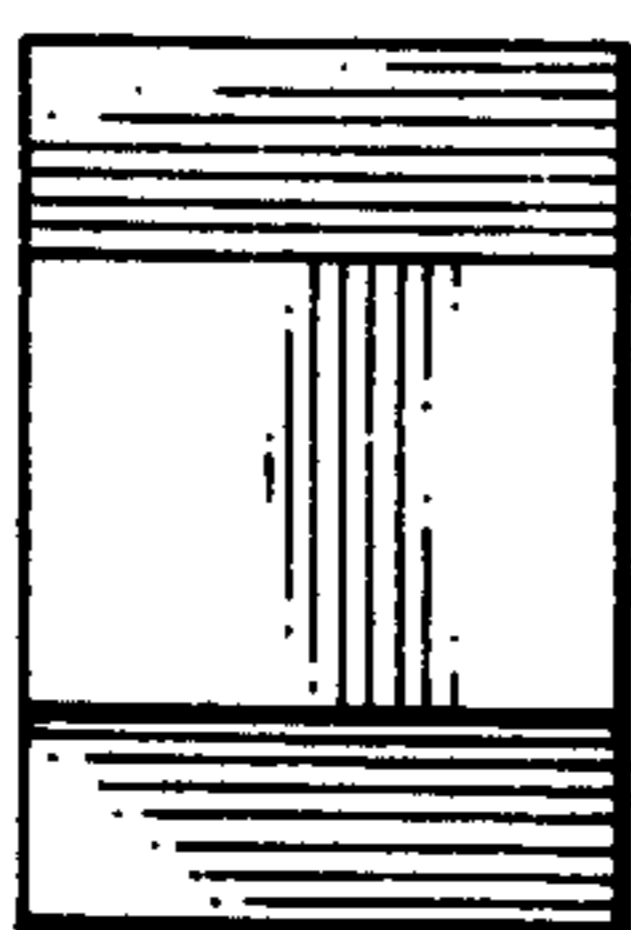


FIG. 4