

- [54] **BOOK PAGE HOLDER**
- [76] Inventor: Bert Tisdale, 4643-197th St.,  
Langley, B.C., Canada
- [\*\*] Term: 14 Years
- [21] Appl. No.: 896,193
- [22] Filed: Apr. 13, 1978
- [30] Foreign Application Priority Data  
Jan. 3, 1978 [CA] Canada ..... 0301783
- [51] Int. Cl. .... D19-99
- [52] U.S. Cl. .... D19/34; D19/65
- [58] Field of Search ..... D19/65, 91, 34, 88,  
D19/99, 100; D8/395; 281/42, 45, 15 B; 24/81  
AP, 81 PC; D20/42
- [56] References Cited  
U.S. PATENT DOCUMENTS  
267,812 11/1882 Whitehead et al. .... 281/42

2,505,590 4/1950 Steele ..... 281/42  
2,692,780 10/1954 Billings ..... 281/42

FOREIGN PATENT DOCUMENTS

709599 5/1931 France ..... 24/81 PC

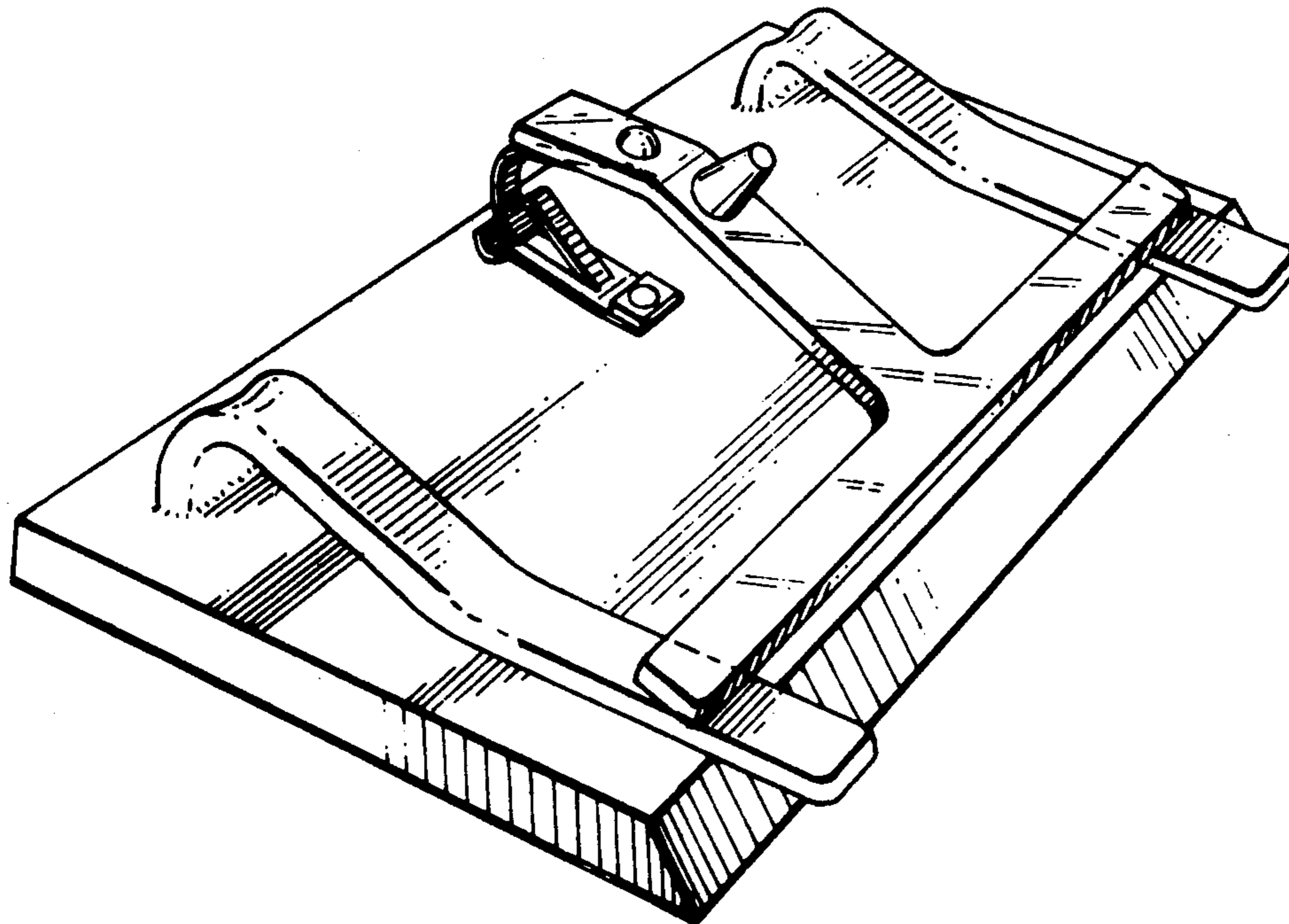
Primary Examiner—Joel Stearman  
Assistant Examiner—George P. Word  
Attorney, Agent, or Firm—James H. Littlepage

[57] CLAIM

The ornamental design for a book page holder, substantially as shown and described.

DESCRIPTION

FIG. 1 is a left side elevational view of a book page holder showing my new design;  
FIG. 2 is a front elevational view thereof;  
FIG. 3 is a right side elevational view thereof;  
FIG. 4 is a rear elevational view thereof;  
FIG. 5 is a perspective view thereof; and  
FIG. 6 is a bottom perspective view thereof.



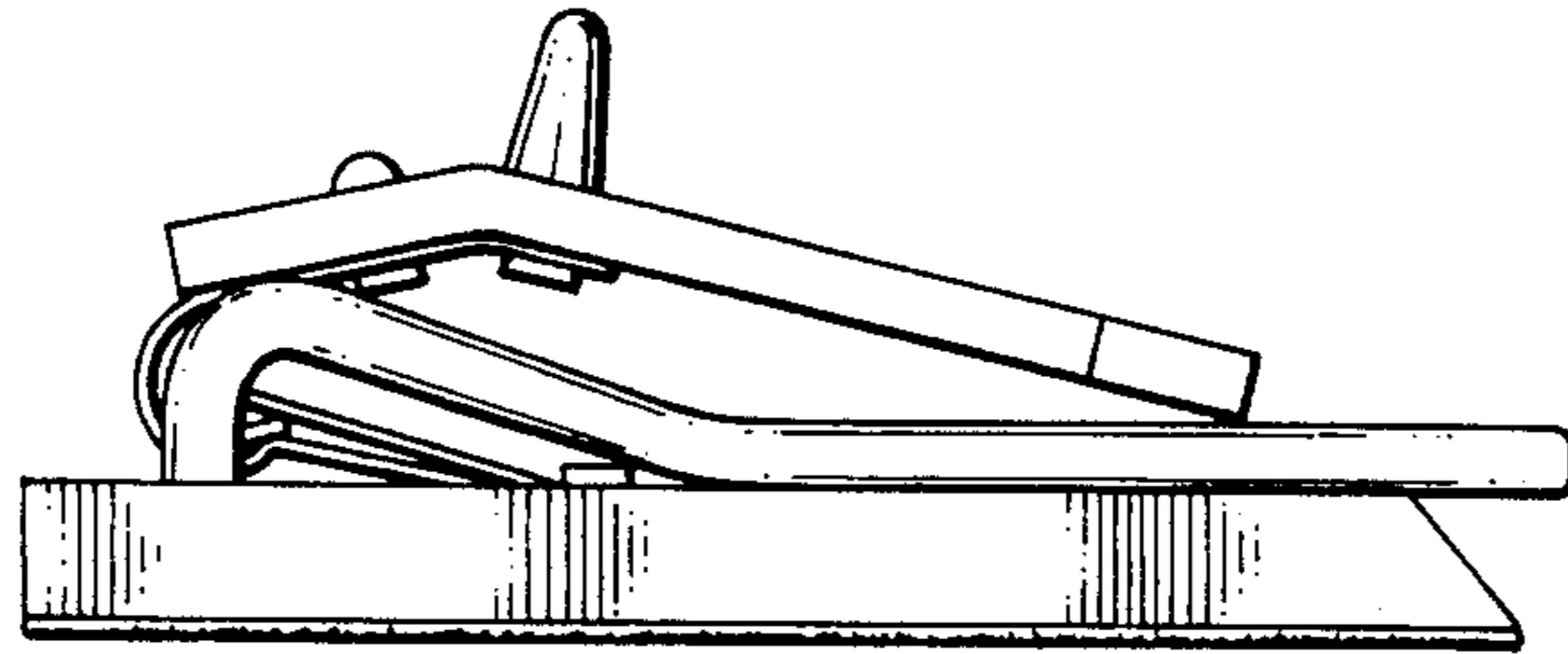


FIG. 1

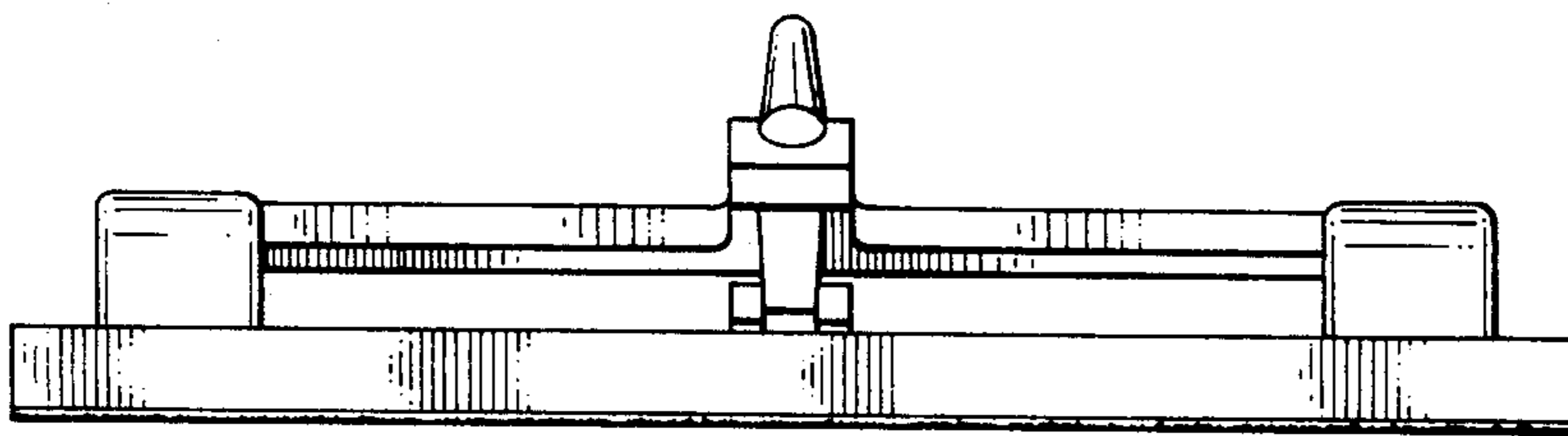


FIG. 2

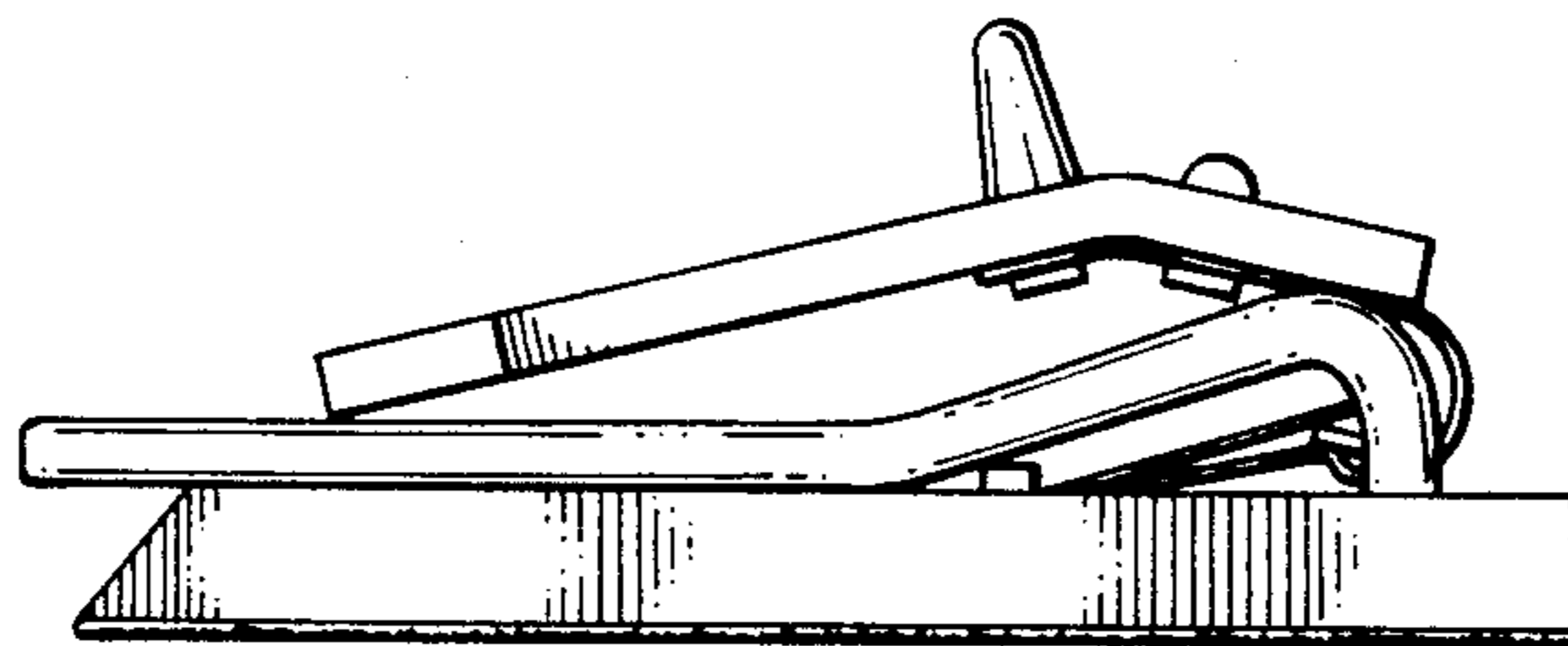


FIG. 3

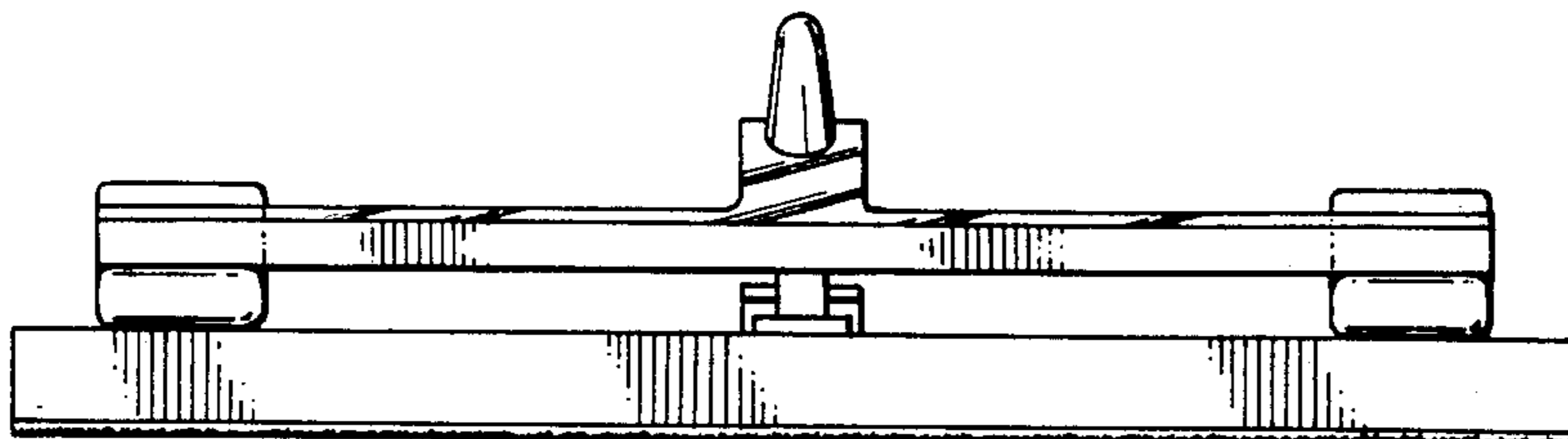


FIG. 4

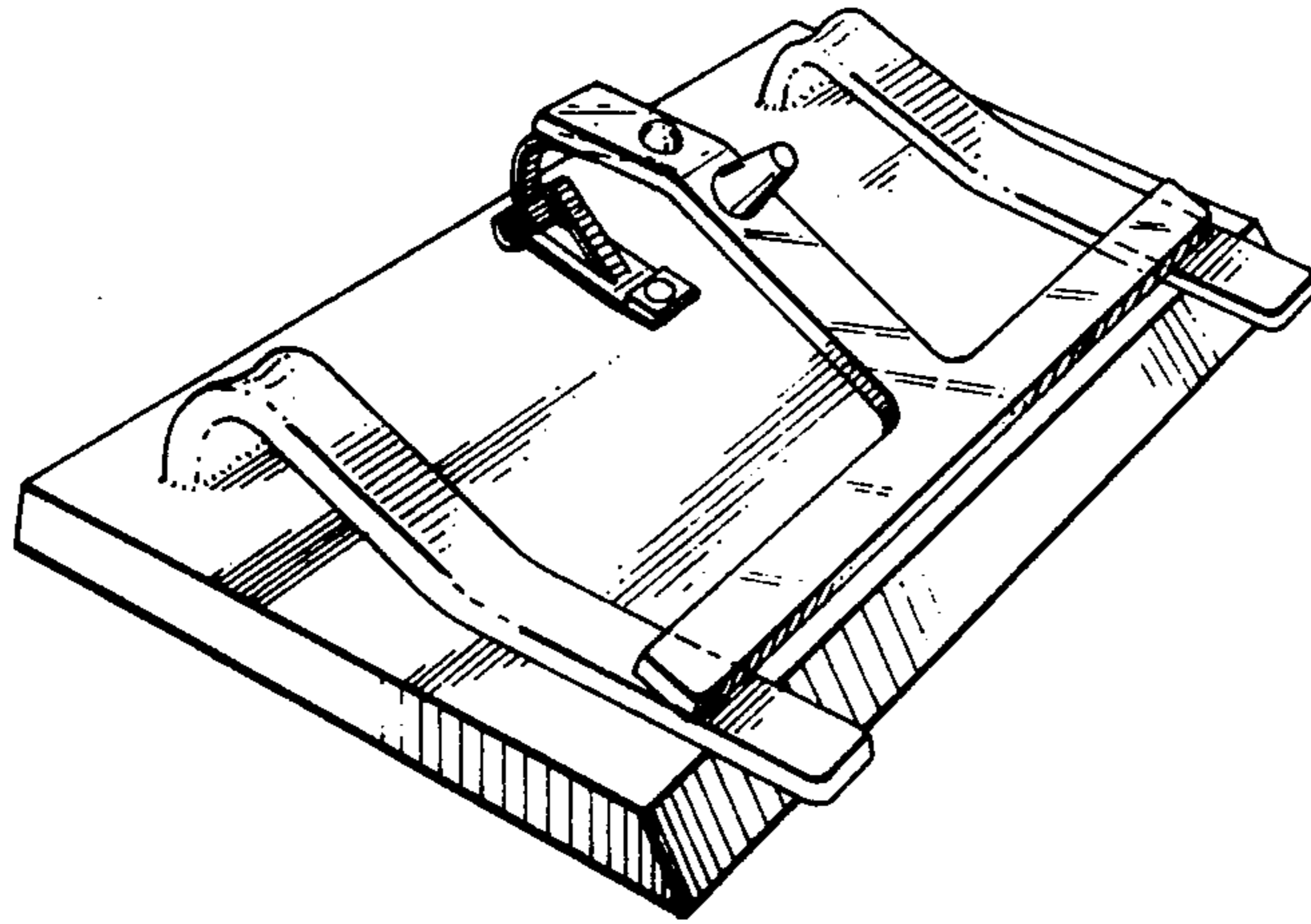


FIG. 5

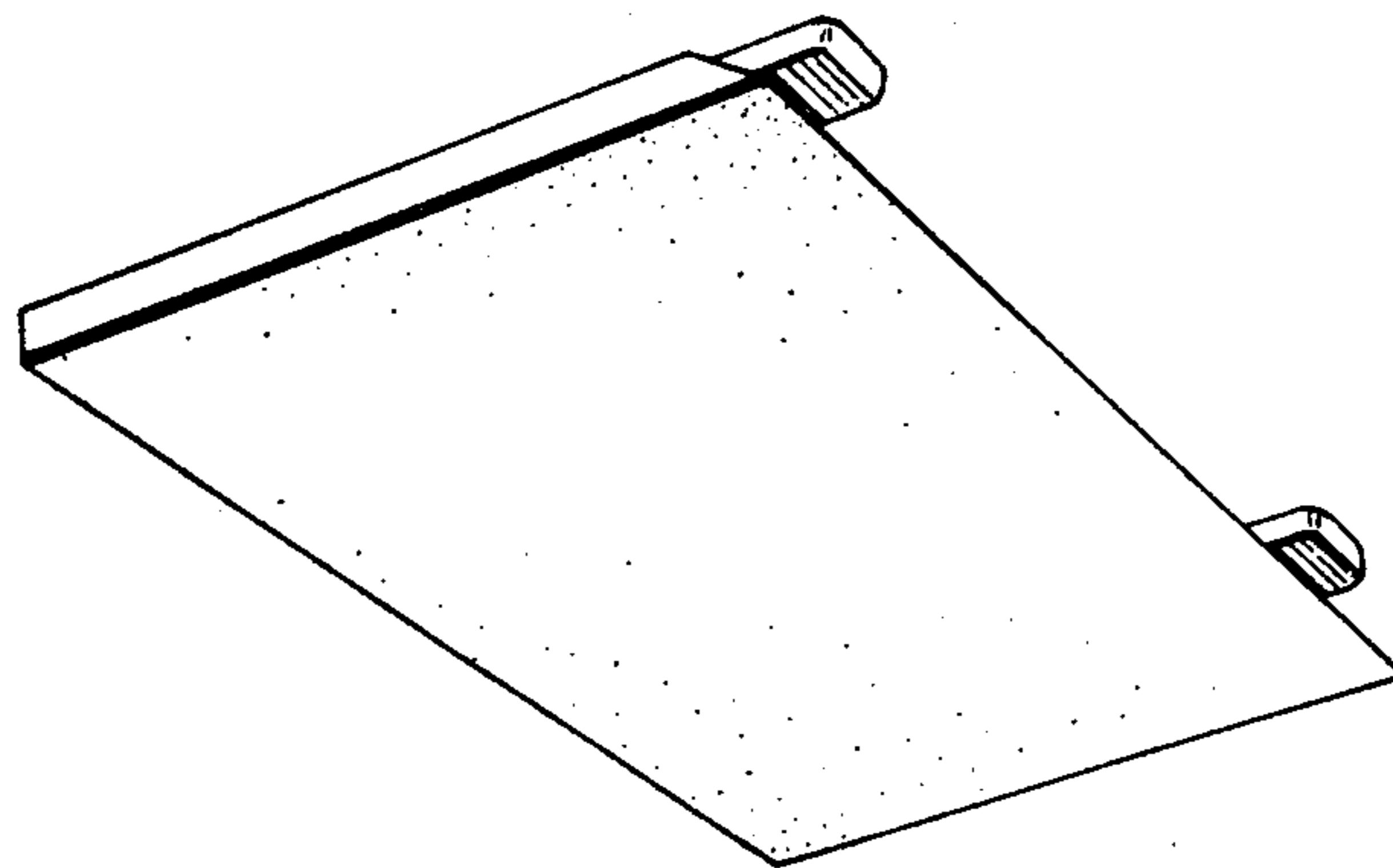


FIG. 6