

[54] TRACTOR BODY

[75] Inventors: Robert A. Skyer, Palatine; George E. Bowman, Country Club Hills, both of Ill.

[73] Assignee: International Harvester Company, Chicago, Ill.

[**] Term: 14 Years

[21] Appl. No.: 5,051

[22] Filed: Jan. 22, 1979

[51] Int. Cl. D15-03

[52] U.S. Cl. D15/33; D15/23

[58] Field of Search D15/23, 33; 180/54 D, 180/89.1; 296/1 R

[56] References Cited

U.S. PATENT DOCUMENTS

D. 245,698 9/1977 Skyer et al. D15/30

OTHER PUBLICATIONS

Implement & Tractor, 6/7/73, p. 29, Tractor, top of page. Agricultural Machinery Journal, 6/78, p. 37, Fendt Tractor, bottom left side of page.

Primary Examiner—James M. Gandy Attorney, Agent, or Firm—F. David AuBuchon

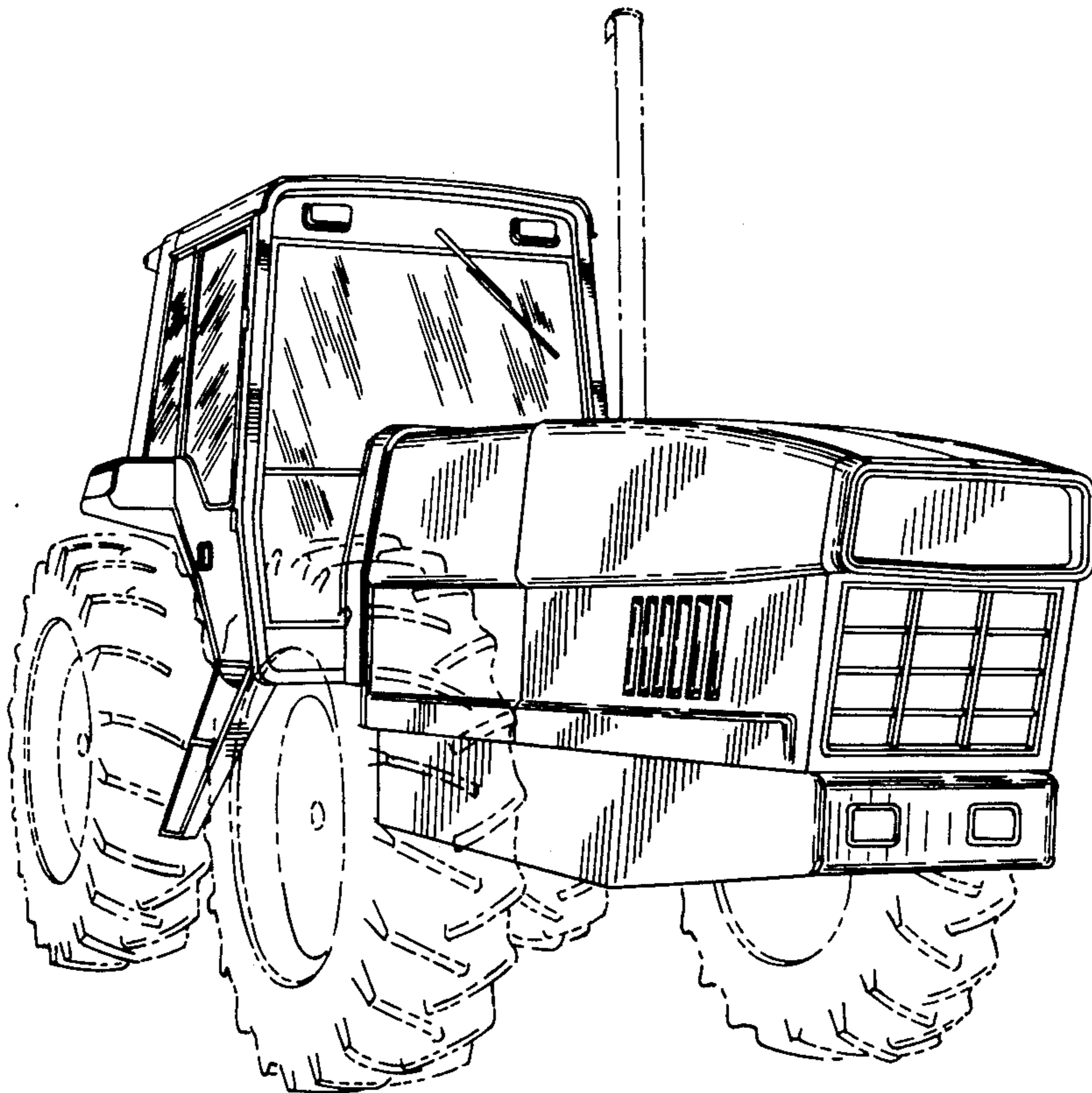
[57] CLAIM

The ornamental design for a tractor body, substantially as shown and described.

DESCRIPTION

FIG. 1 is perspective view as seen from the right front of the tractor body embodying our new design; FIG. 2 is a right side elevational view thereof; FIG. 3 is a left side elevational view thereof; FIG. 4 is a top plan view thereof; FIG. 5 is a front elevational view thereof; and FIG. 6 is a rear elevational view thereof.

The broken lines in the drawing are for illustrative purposes only.



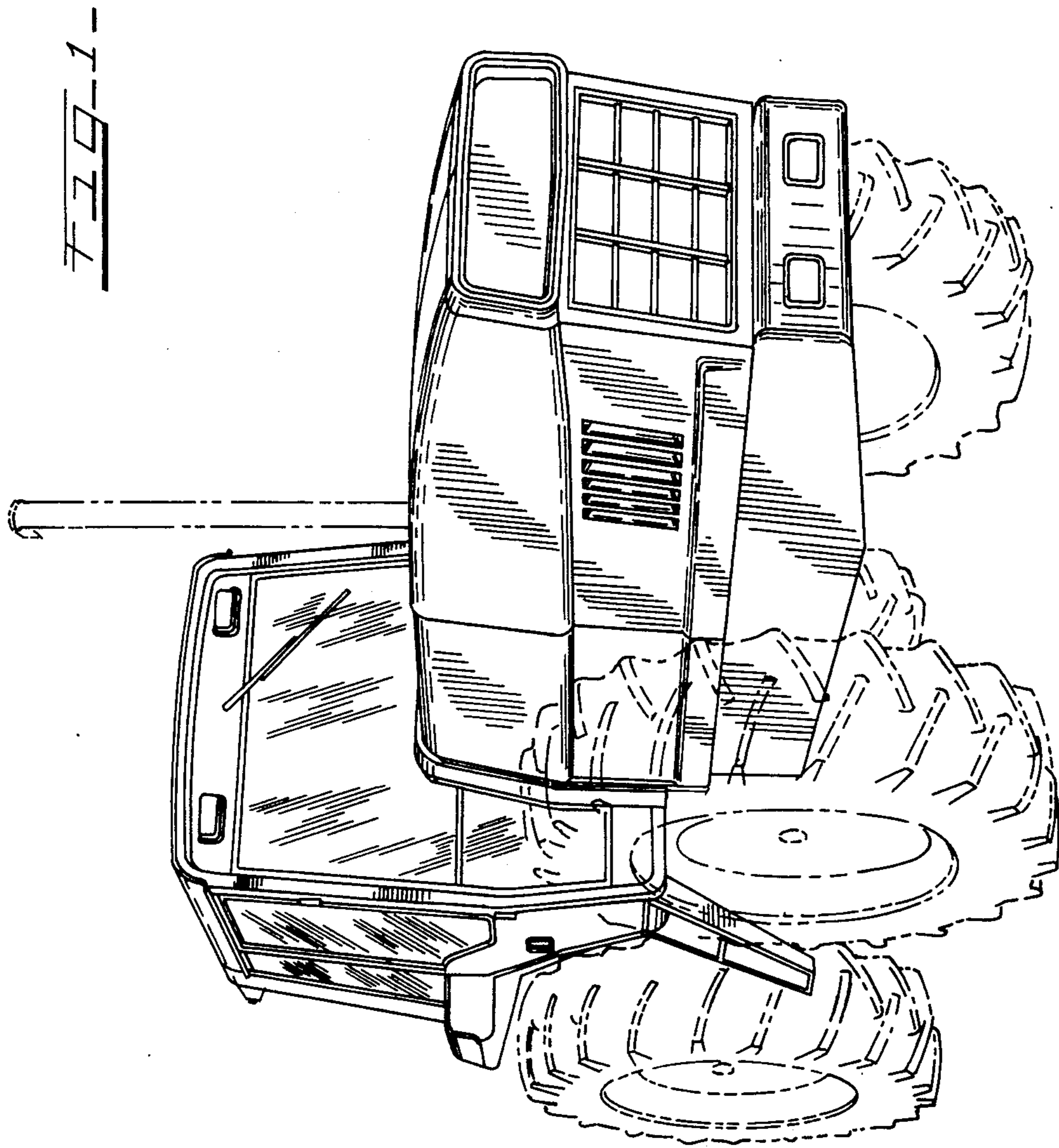


FIG. 2

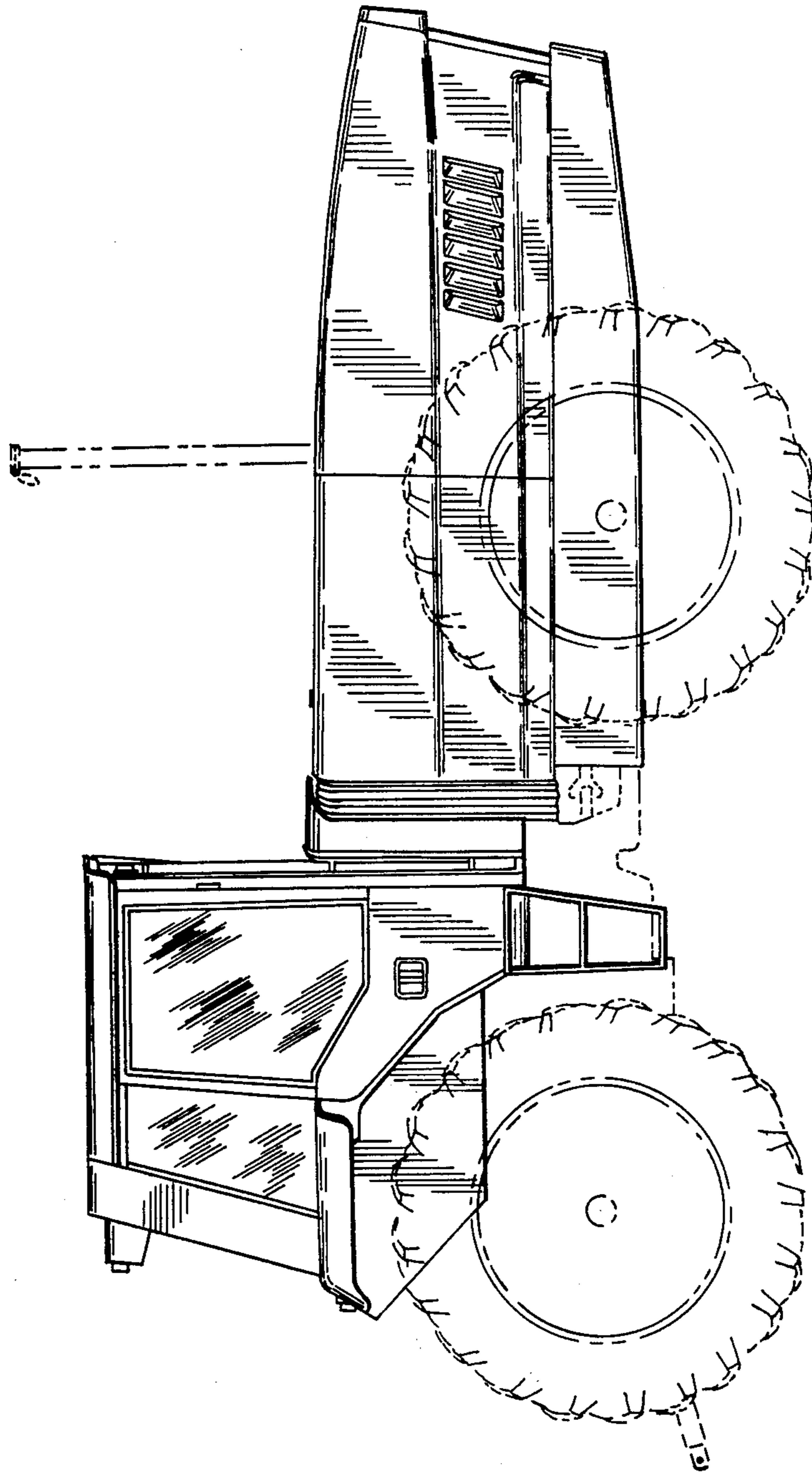


FIG-3-

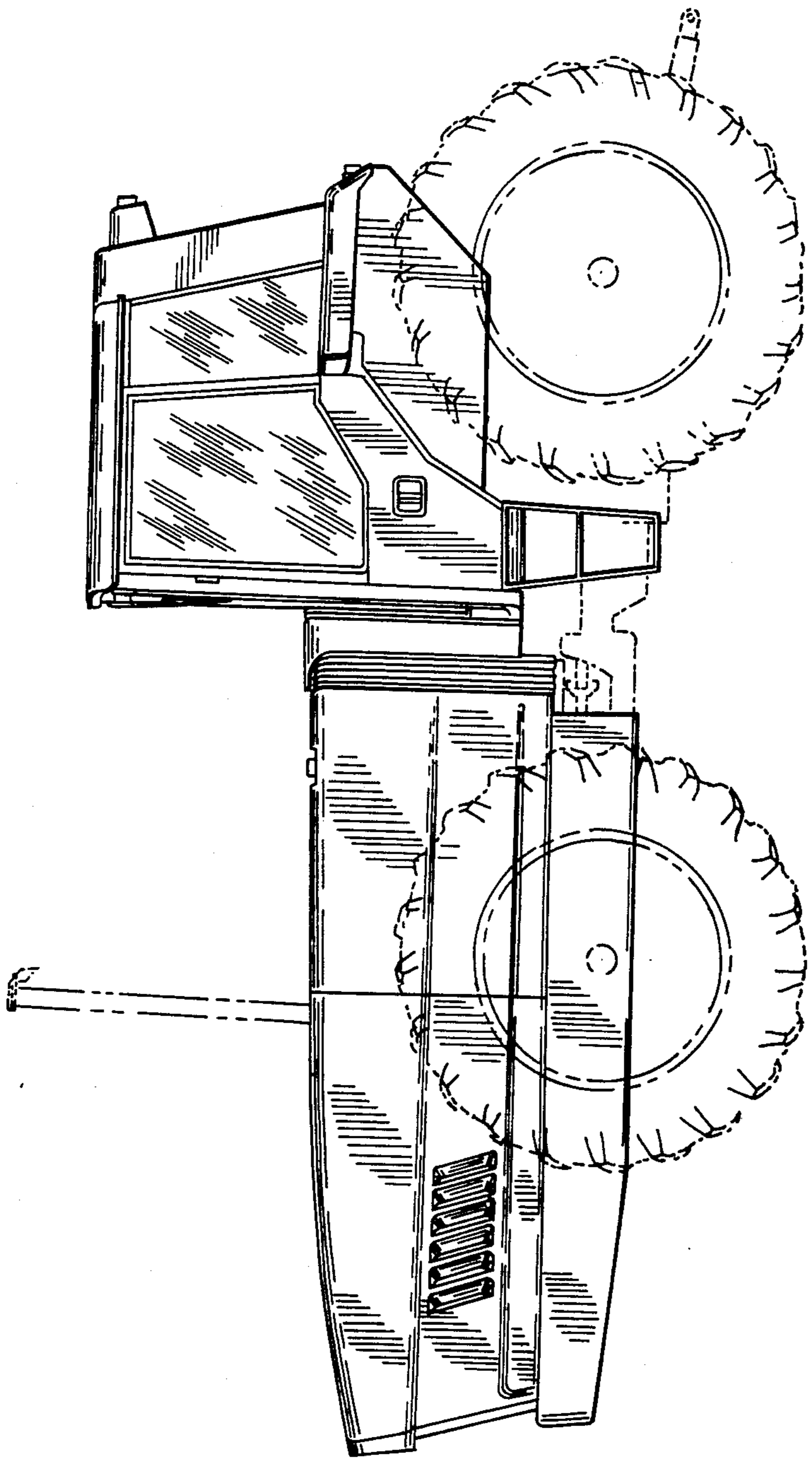


FIG-4-

