

[54] FOLDED ANTENNA

3,993,998 11/1976 Kimmett 343/744

[76] Inventor: Leonard M. Kudravy, P.O. Box 2751, Palos Verdes Peninsula, Calif. 90274

FOREIGN PATENT DOCUMENTS

612146 7/1926 France 343/871

[**] Term: 14 Years

Primary Examiner—Peter Feldman
Attorney, Agent, or Firm—Ralph B. Pastoriza

[21] Appl. No.: 888,548

[57] CLAIM

[22] Filed: Mar. 21, 1978

The ornamental design for a folded antenna, substantially as shown.

[51] Int. Cl. D14-03

[52] U.S. Cl. D14/89; 343/744

[58] Field of Search D14/86-91;
343/713, 732, 726, 728, 741-744, 803, 842,
866-871, 788

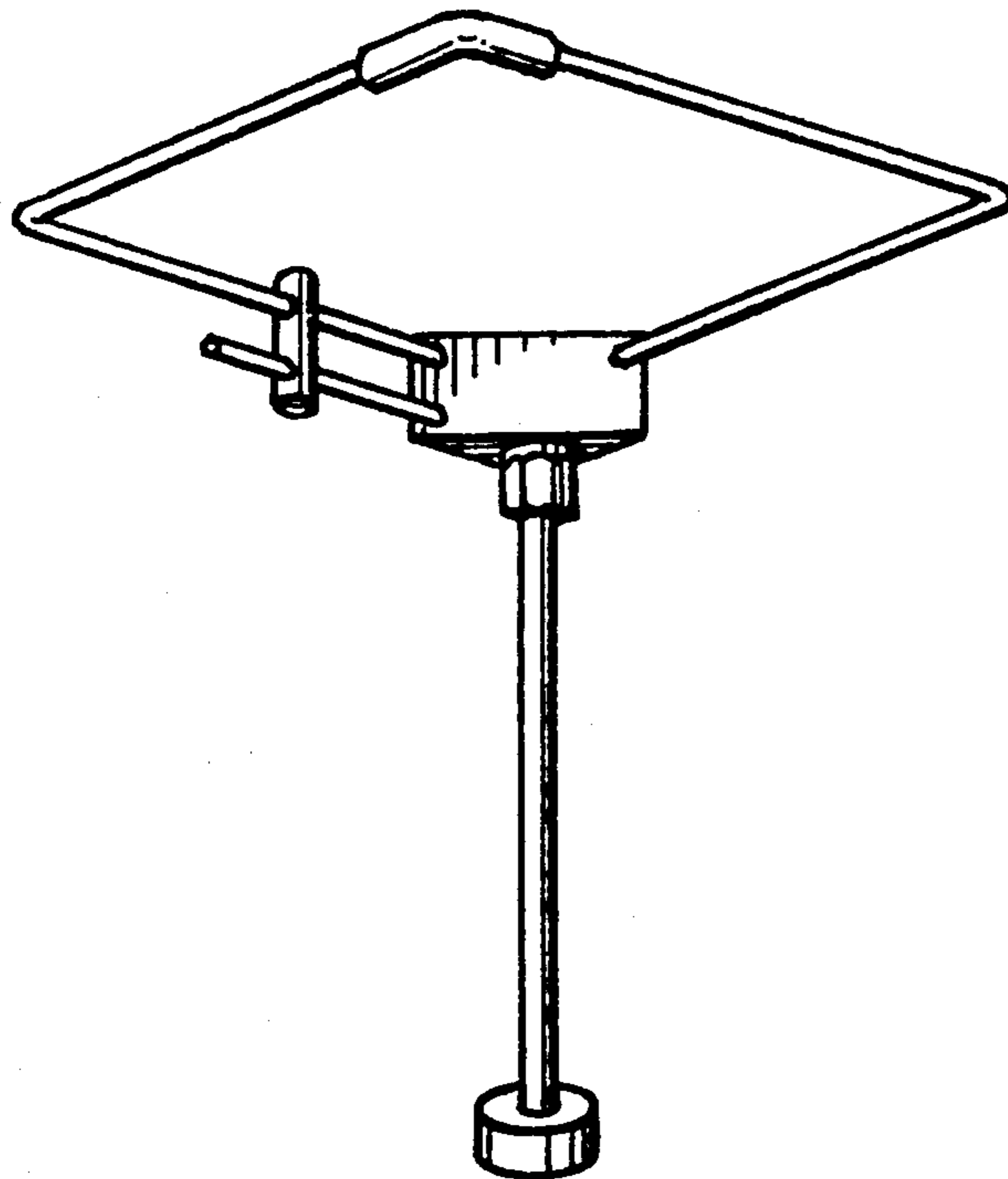
DESCRIPTION

[56] References Cited

U.S. PATENT DOCUMENTS

1,892,958 1/1933 Leib 343/866 X
2,082,812 6/1937 Worrall 343/867 X
2,426,632 9/1947 Marchand 343/726 X

FIG. 1 is a perspective view of a folded antenna showing my new design;
FIG. 2 is a side elevational view thereof;
FIG. 3 is a side elevational view showing the side opposite that of FIG. 2;
FIG. 4 is a top plan view thereof;
FIG. 5 is a bottom plan view thereof; and,
FIG. 6 is a rear elevational view thereof.



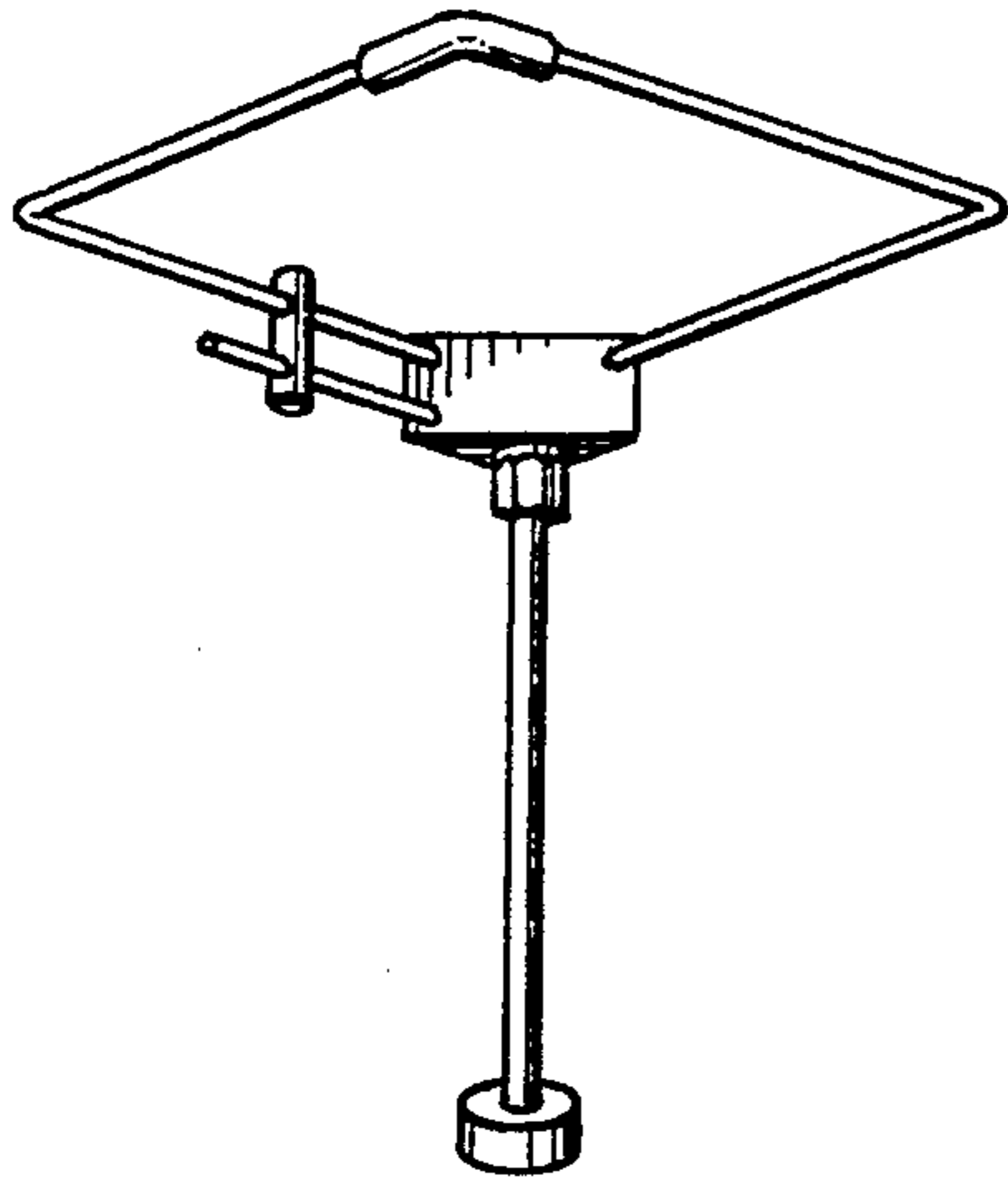


FIG. 1

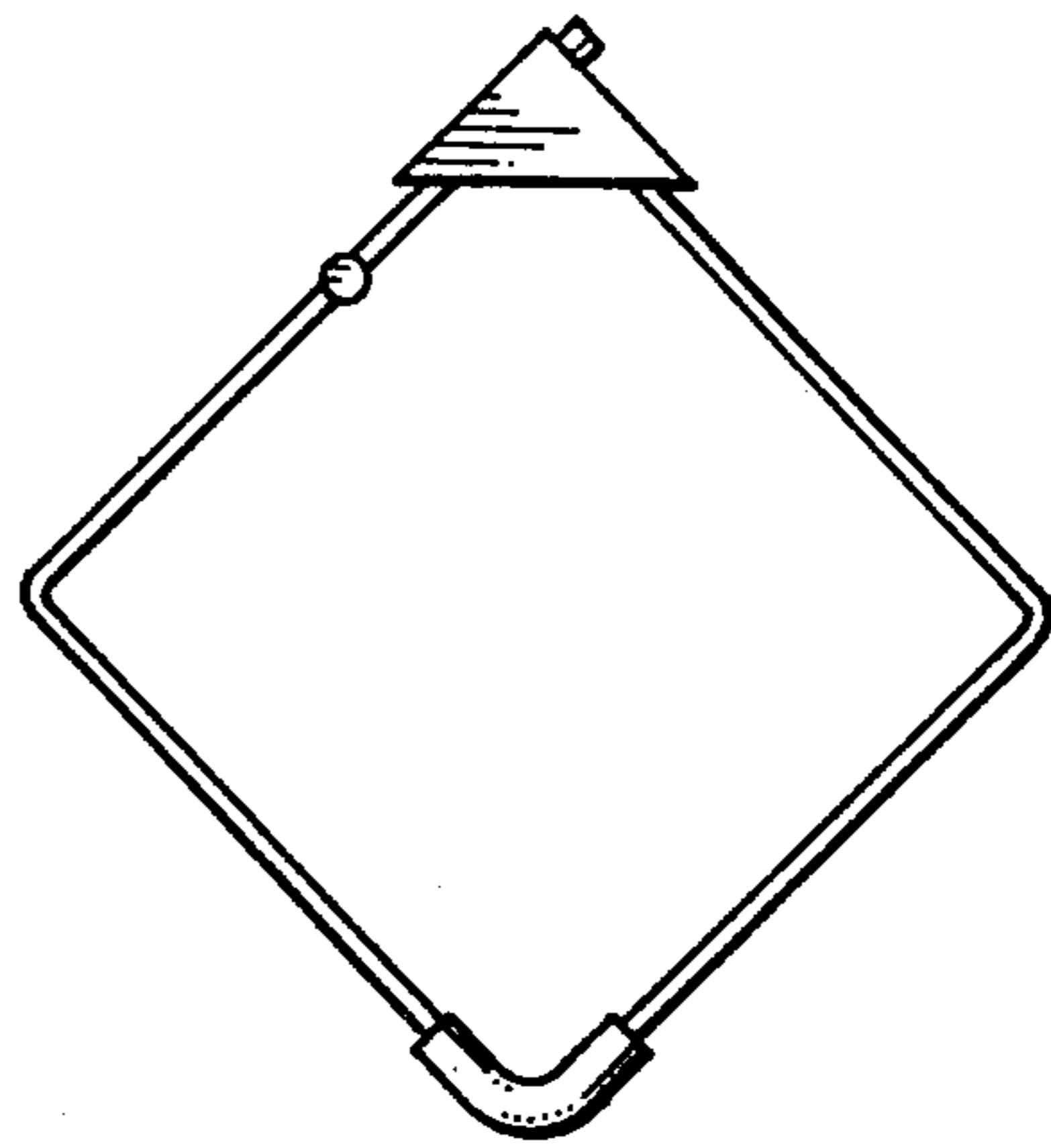


FIG. 4

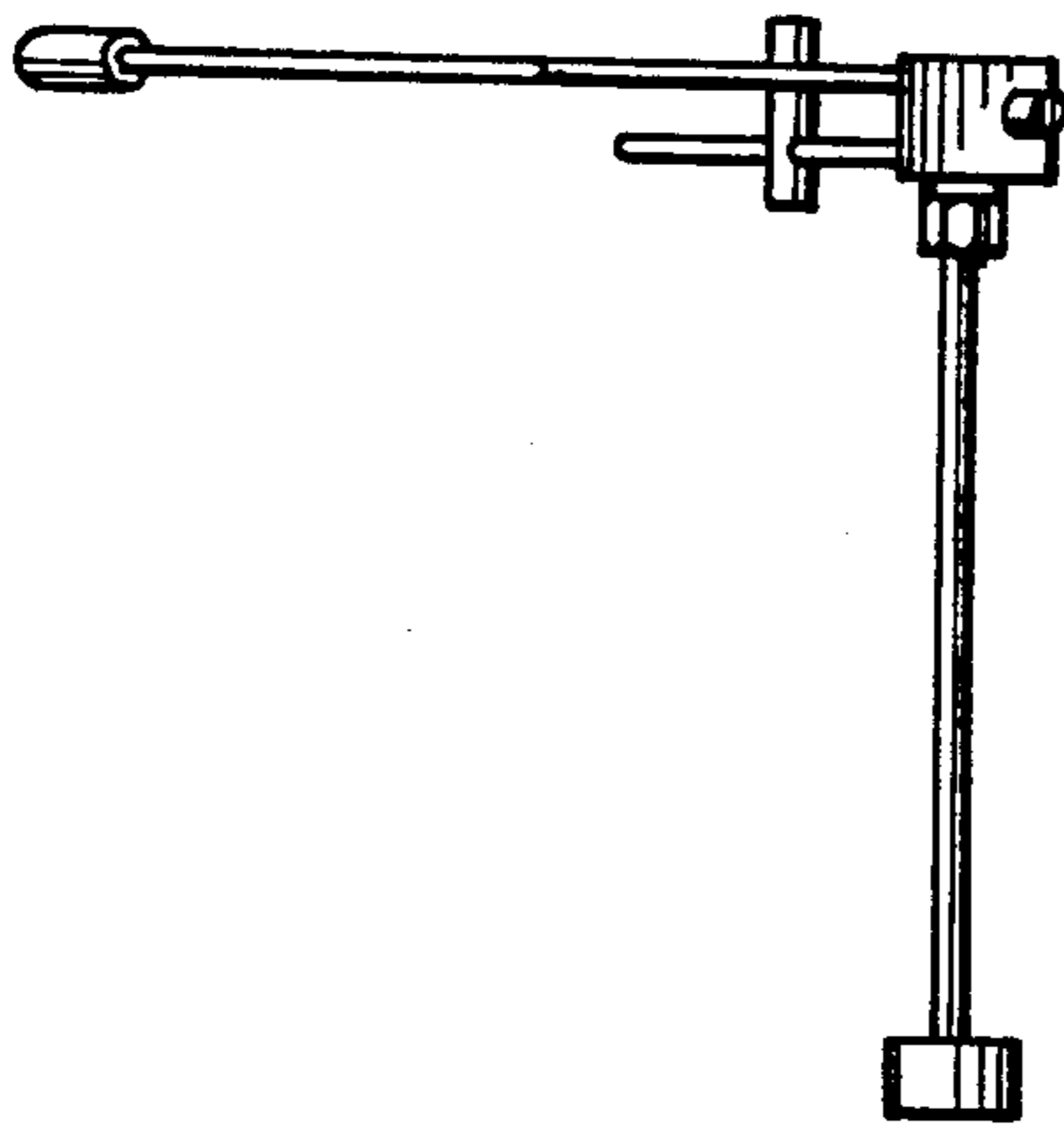


FIG. 2

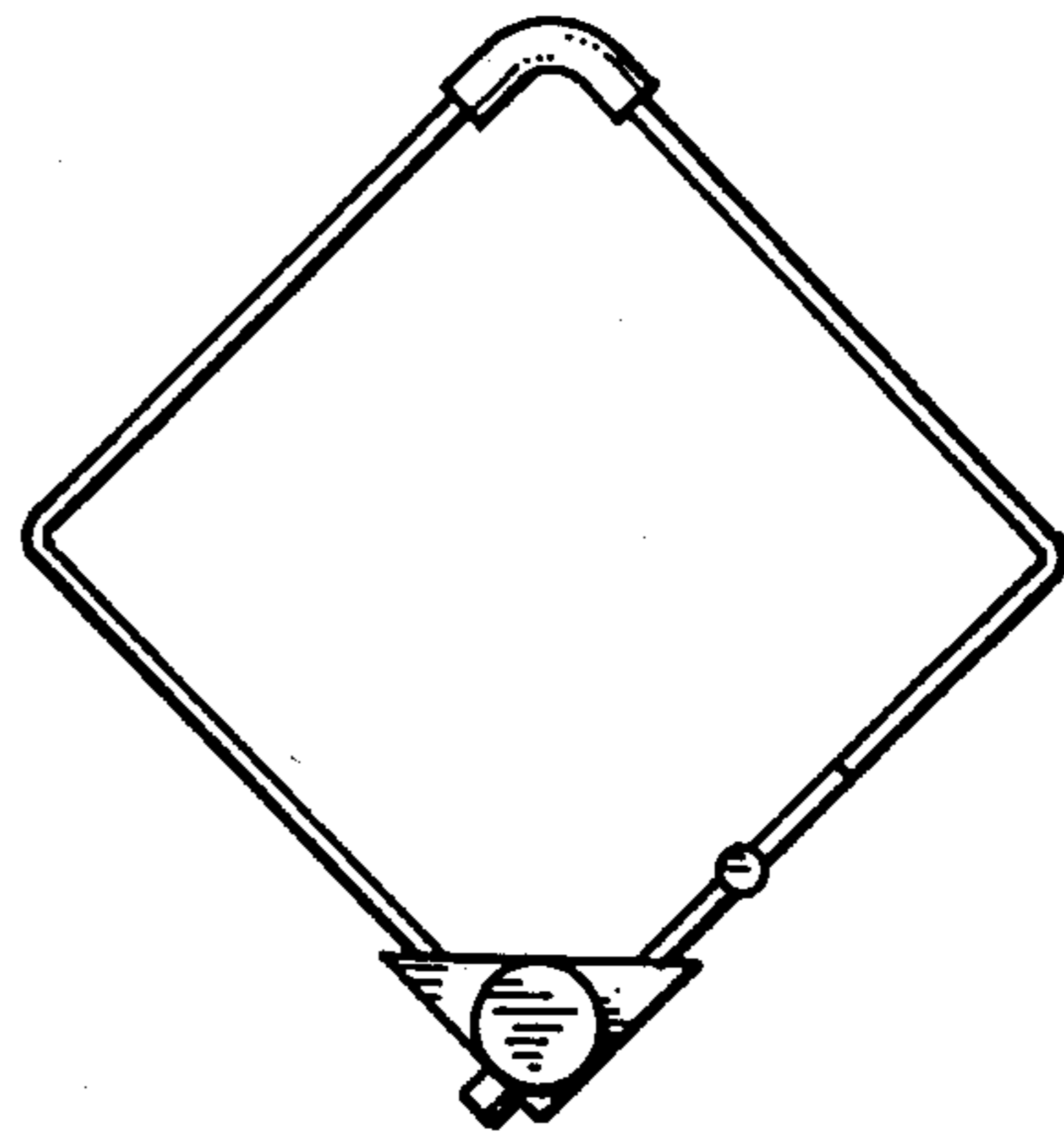


FIG. 5

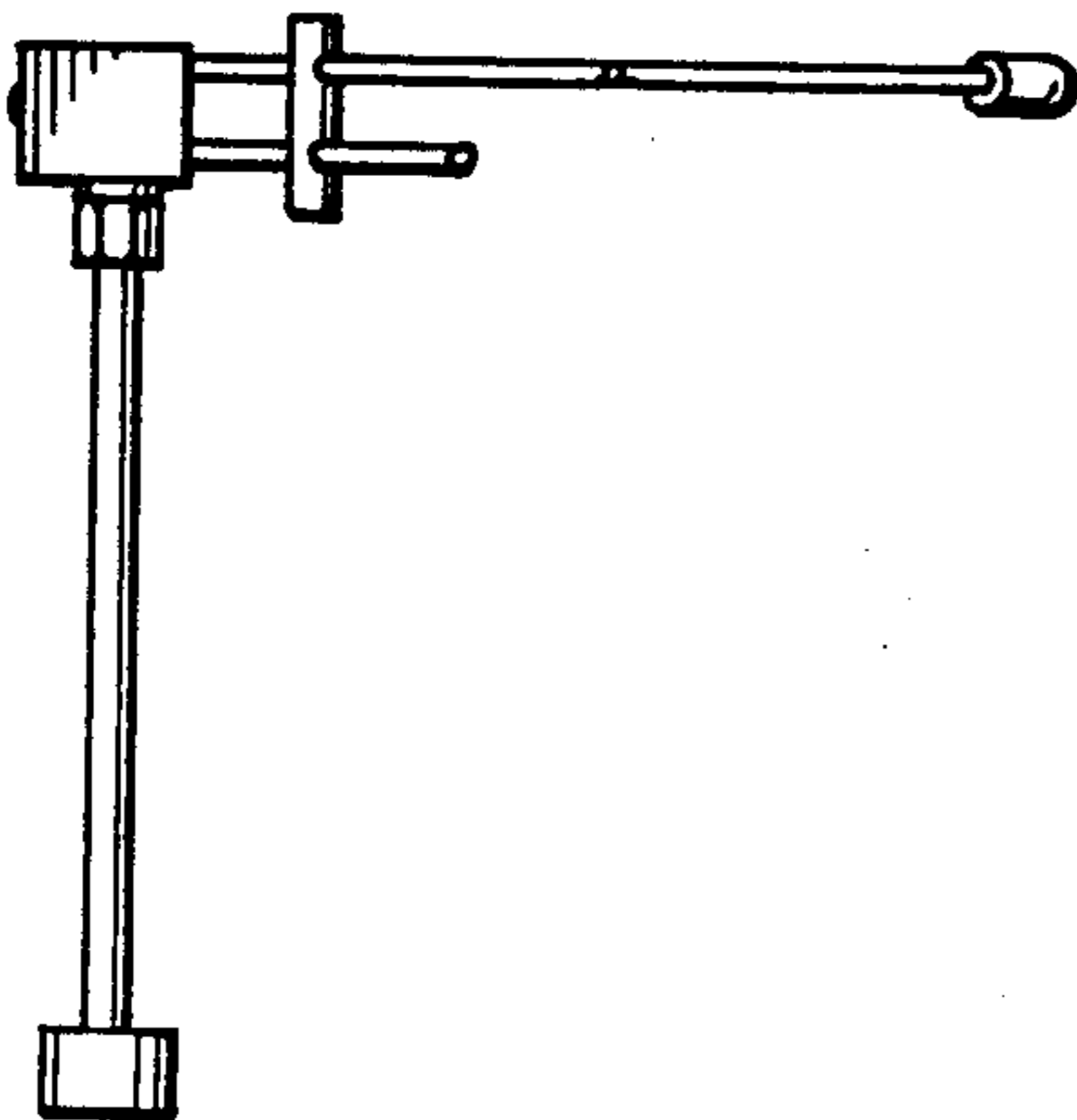


FIG. 3

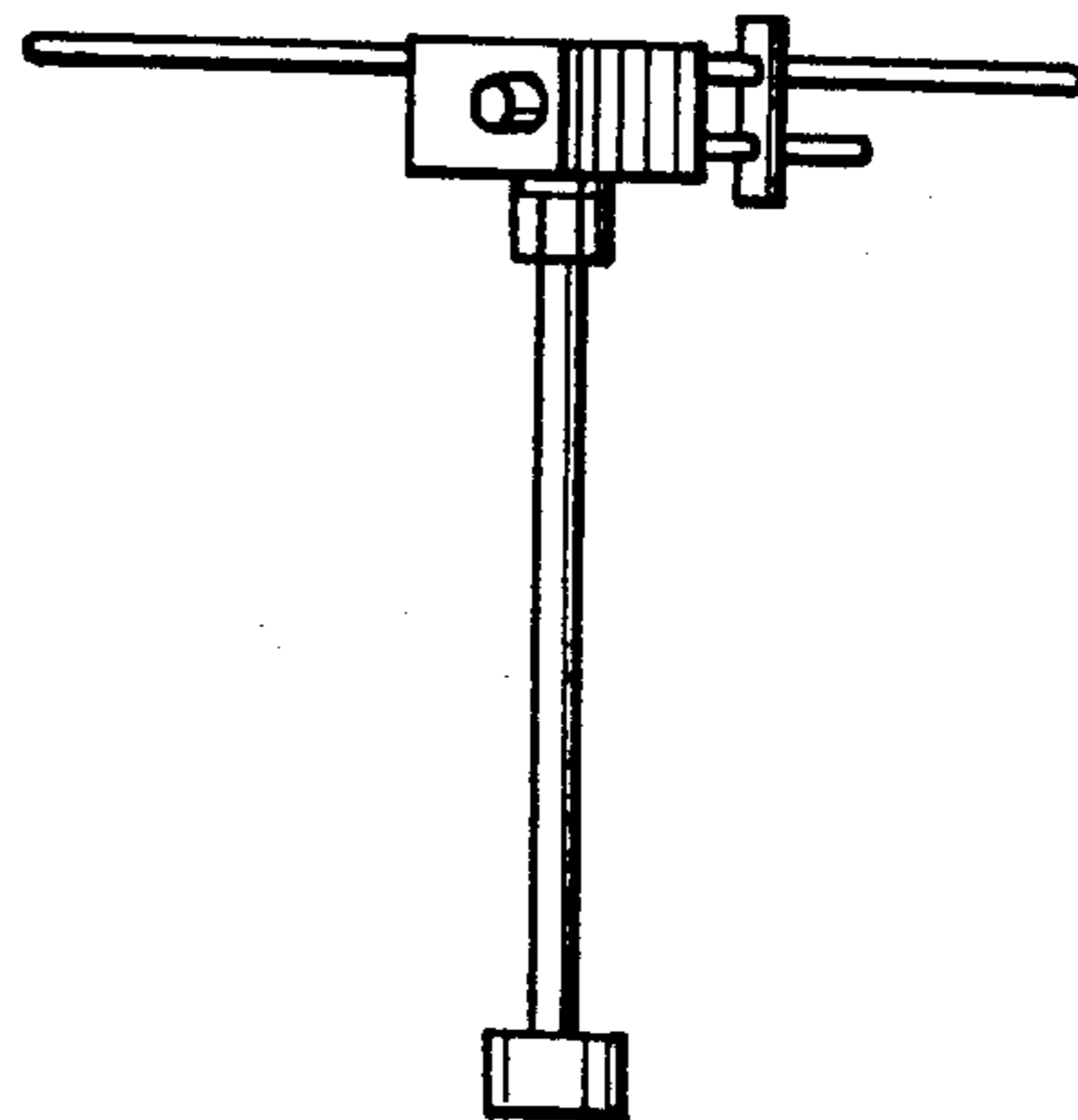


FIG. 6