

[54] FENDER EXTENSION UNIT

[76] Inventor: **Gerald A. Logan**, 2455 SW. Montgomery Dr., Portland, Oreg. 97201

[\*\*] Term: **14 Years**

[21] Appl. No.: **869,924**

[22] Filed: **Jan. 16, 1978**

[51] Int. Cl. .... **D12-16**

[52] U.S. Cl. .... **D12/190; D12/184**

[58] Field of Search ..... **D12/184, 190; 280/152 R, 153 R; 296/1 R**

[56] **References Cited**

**PUBLICATIONS**

Ceppek '1972 Catalog, p. 40, Bronco Fender Extension, top left side of page.

*Primary Examiner*—James M. Gandy  
*Attorney, Agent, or Firm*—Kenneth S. Klarquist

[57] **CLAIM**

The ornamental design for a fender extension unit, as shown and described.

**DESCRIPTION**

FIGS. 1 and 2 are perspective views of a fender extension unit embodying my new design, it being understood that the broken lines are for illustrative purposes only;

FIG. 3 is a bottom plan view thereof;

FIG. 4 is a top plan view thereof;

FIG. 5 is a side elevation view thereof;

FIG. 6 is a front elevation view thereof;

FIG. 7 is a side elevation view thereof opposite to that shown in FIG. 5; and

FIG. 8 is a rear elevation view thereof.

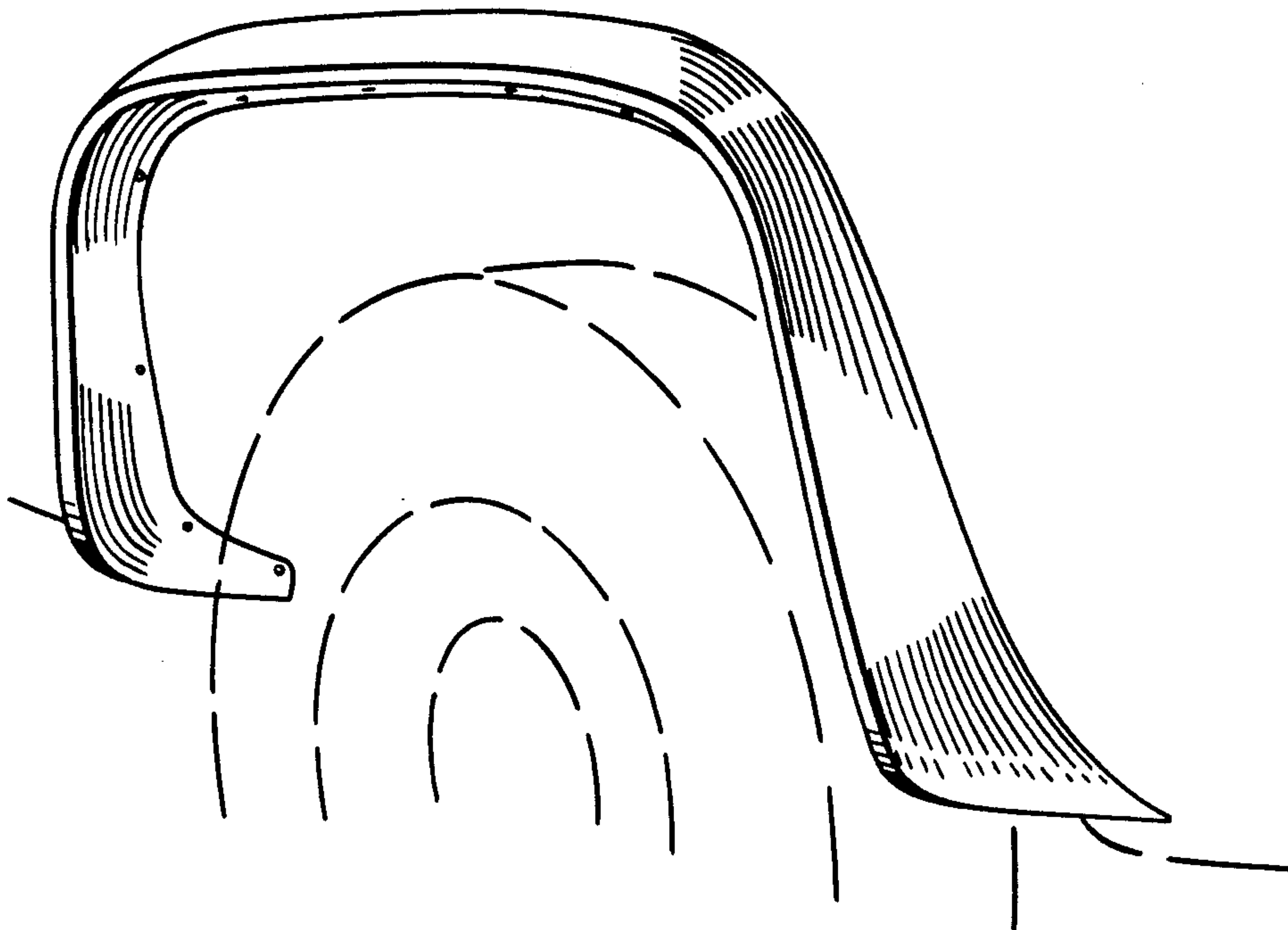


FIG. 1

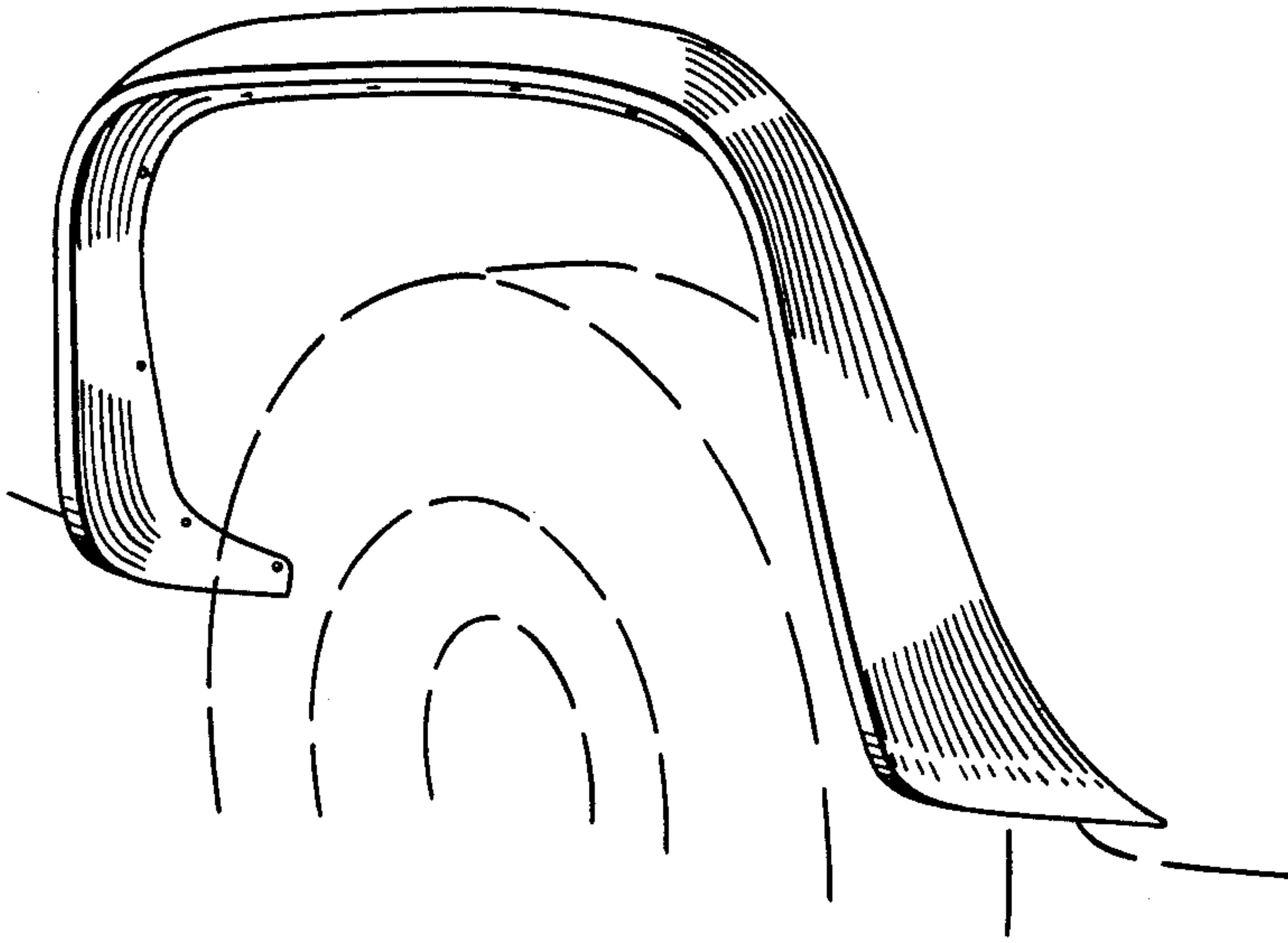


FIG. 3

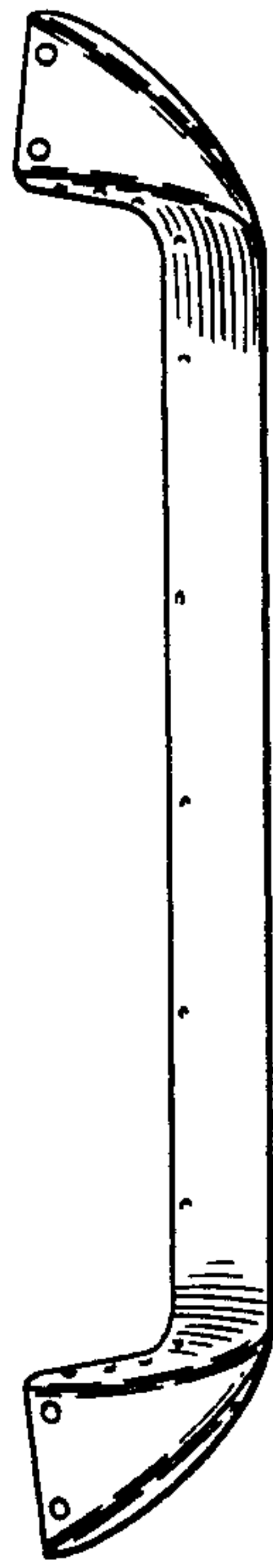


FIG. 4

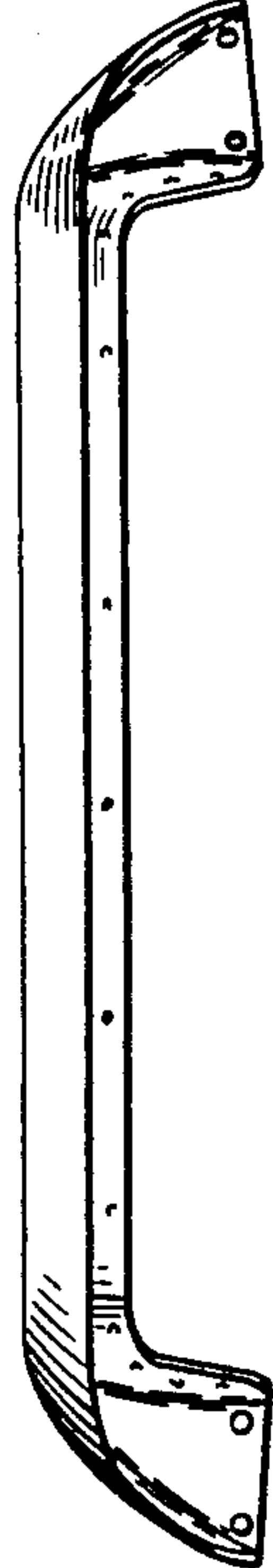


FIG. 2

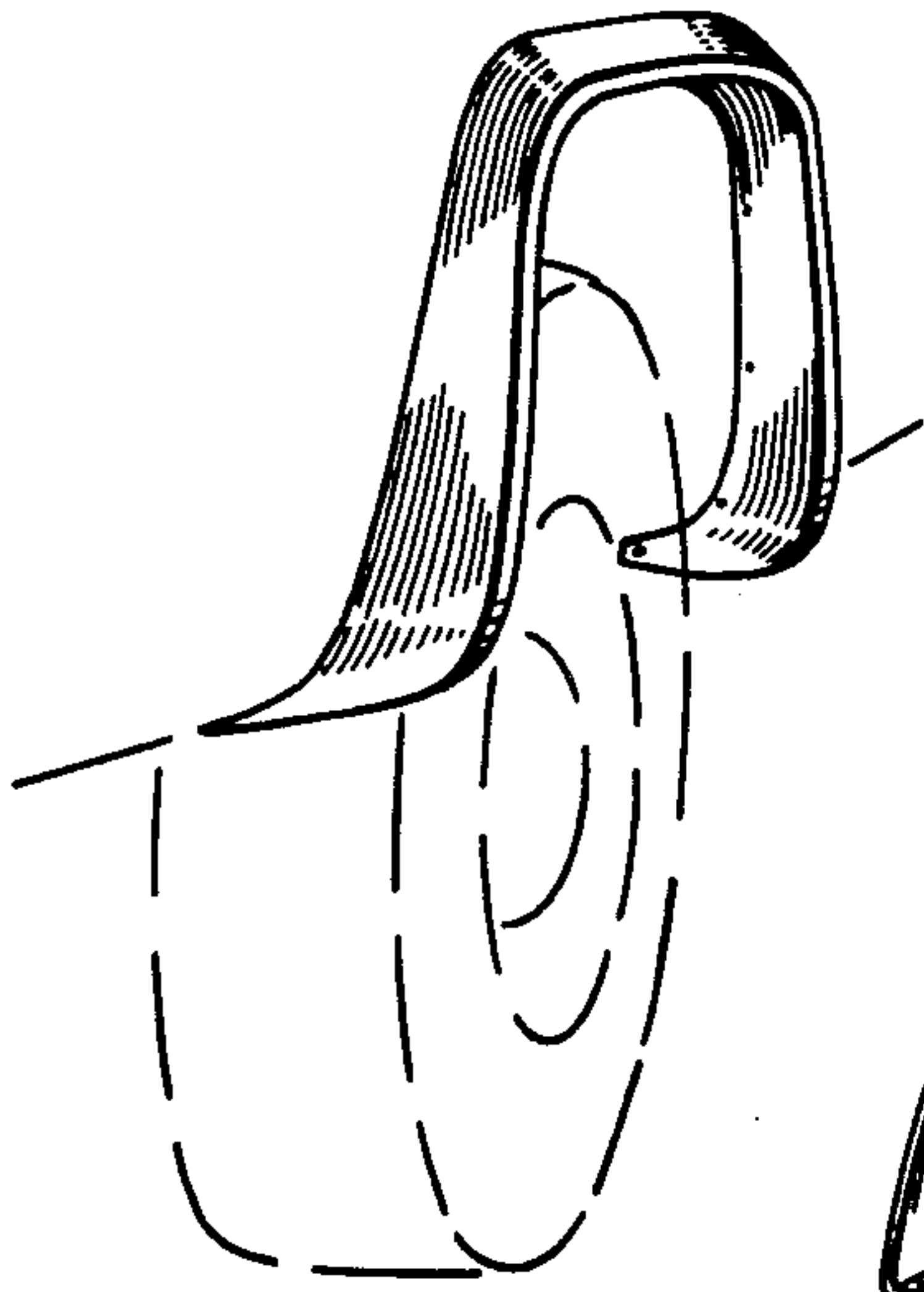


FIG. 5



FIG. 6

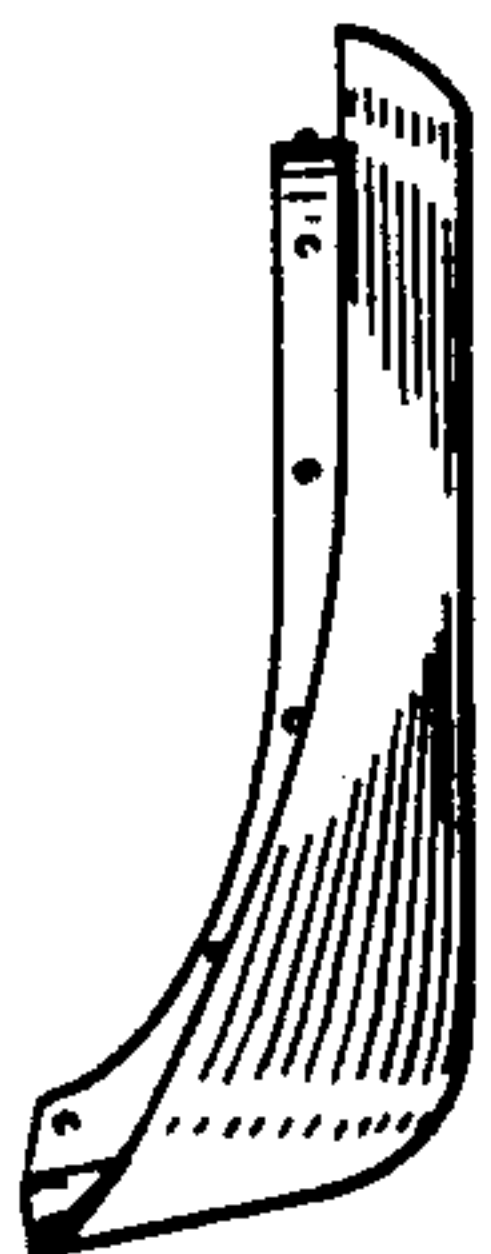


FIG. 7

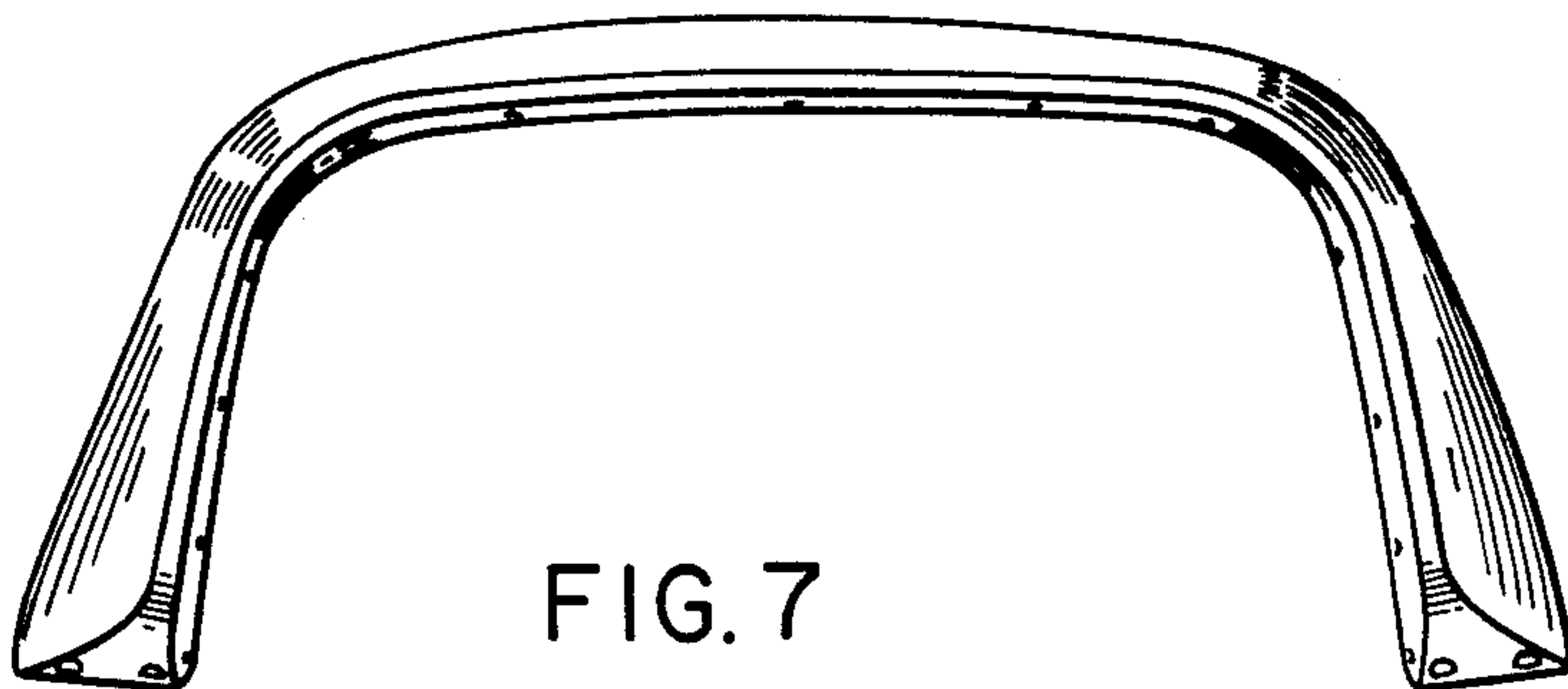


FIG. 8

