

[54] DECORATIVE CHAIN SEGMENT

[75] Inventor: Giovanni Mazzini, Arezzo, Italy

[73] Assignee: Emmegizeta Metalmeccanica Gori & Zucchi M.G.Z. S.p.A., Arezzo, Italy

[**] Term: 14 Years

[21] Appl. No.: 925,955

[22] Filed: Jul. 18, 1978

[51] Int. Cl. D11-01

[52] U.S. Cl. D11/13

[58] Field of Search D11/2-4,
D/11/12, 13, 19, 25, 93, 10; 63/3-5 R; 59/79
R-79 B, 84, 80-82, 85, 90, 91

1,562,522 11/1925 Shields D11/13 X

1,567,086 12/1925 Schravssaven 59/80

1,797,352 3/1931 Linhart D11/12 X

FOREIGN PATENT DOCUMENTS

563903 7/1957 Italy 59/80

Primary Examiner—Louis S. Zarfaz
Attorney, Agent, or Firm—Roy C. Hopgood

[57] CLAIM

The ornamental design for a decorative chain segment, substantially as shown and described.

DESCRIPTION

FIG. 1 is a perspective view of a decorative chain segment, showing my new design with the top link in open condition;

FIG. 2 is a front elevational view of the segment with all links closed;

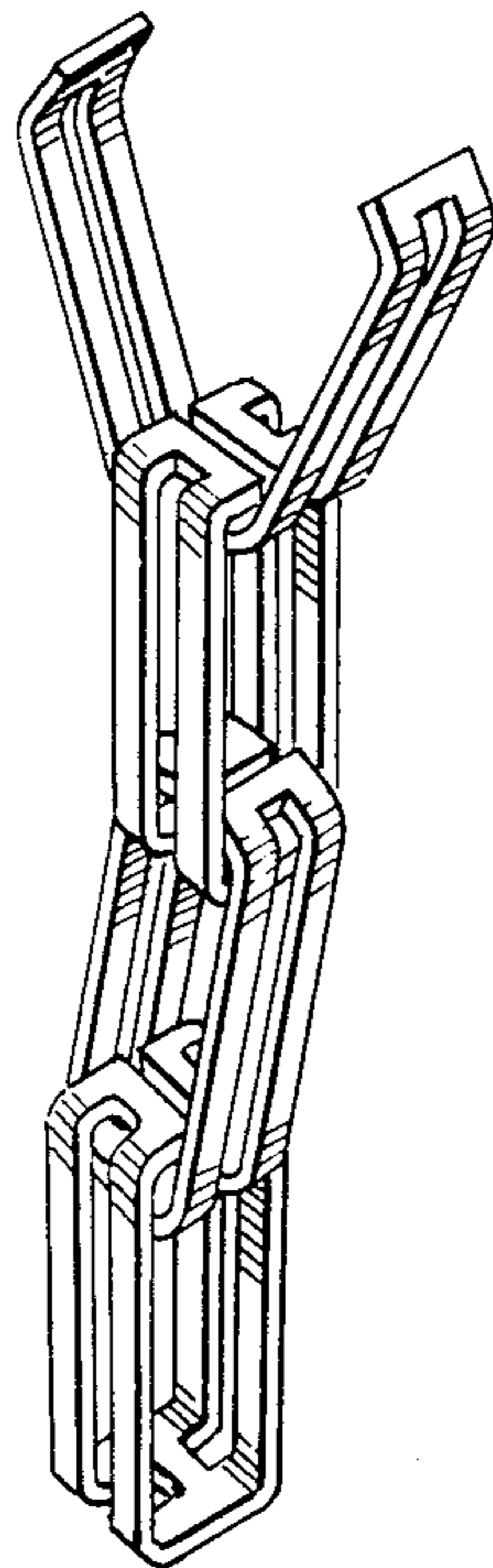
FIG. 3 is a side elevational view thereof; and

FIG. 4 is a perspective view of a single link thereof.

[56] References Cited

U.S. PATENT DOCUMENTS

1,439,978 12/1922 Renault 59/80



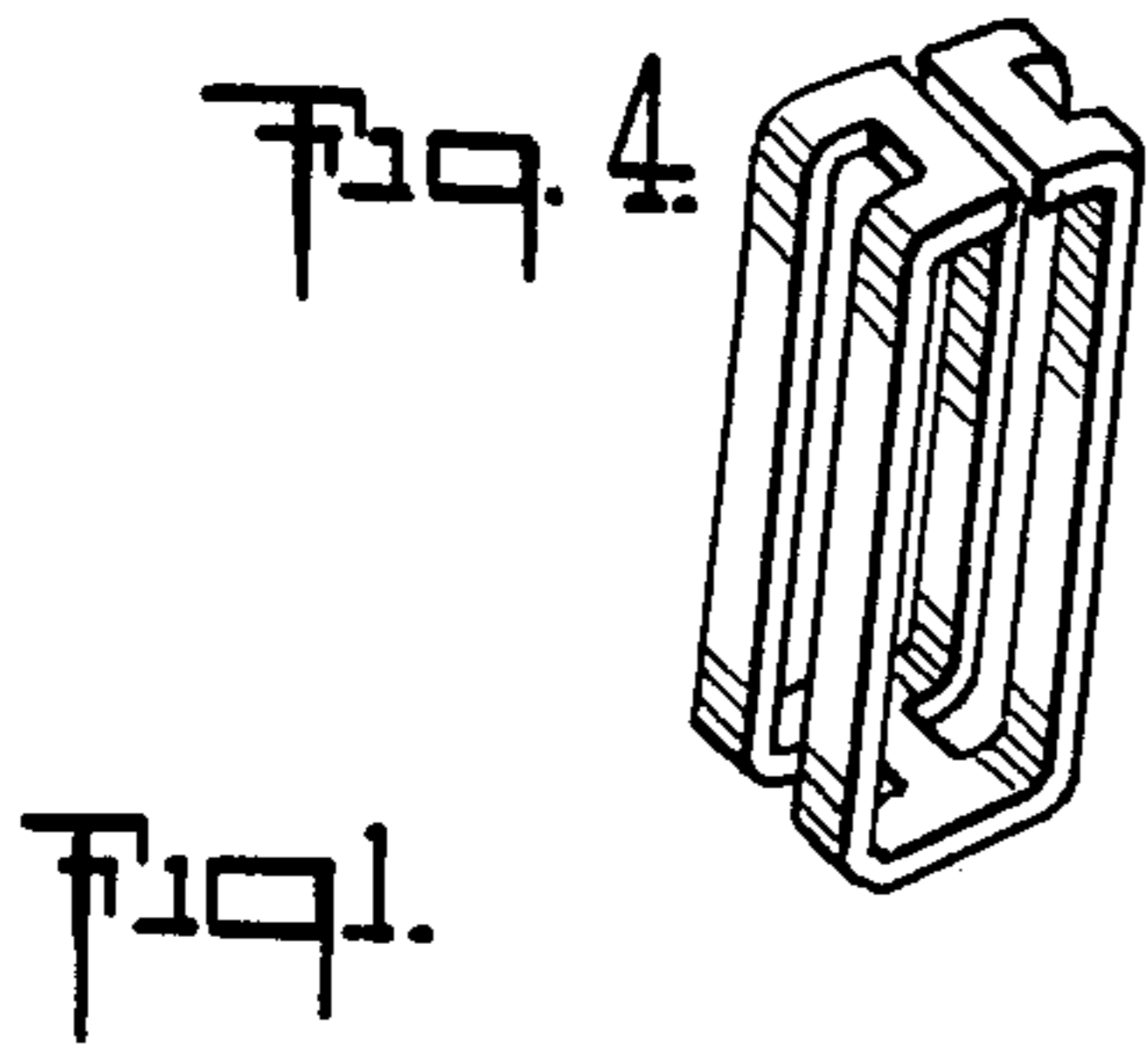


Fig. 1.

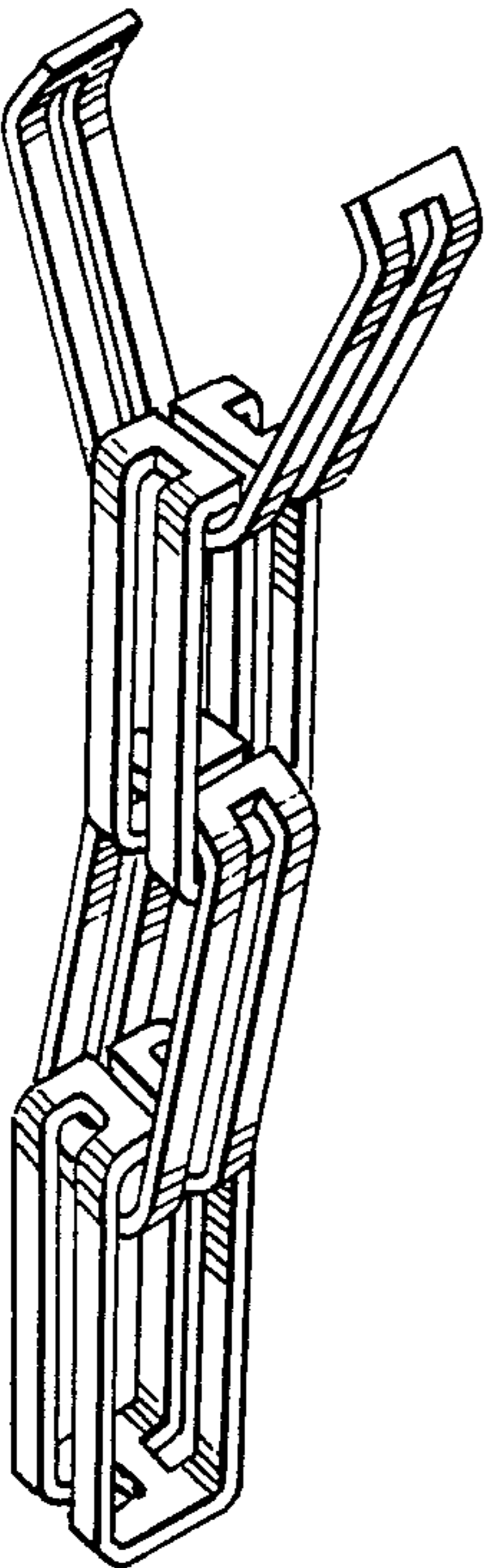


Fig. 2.

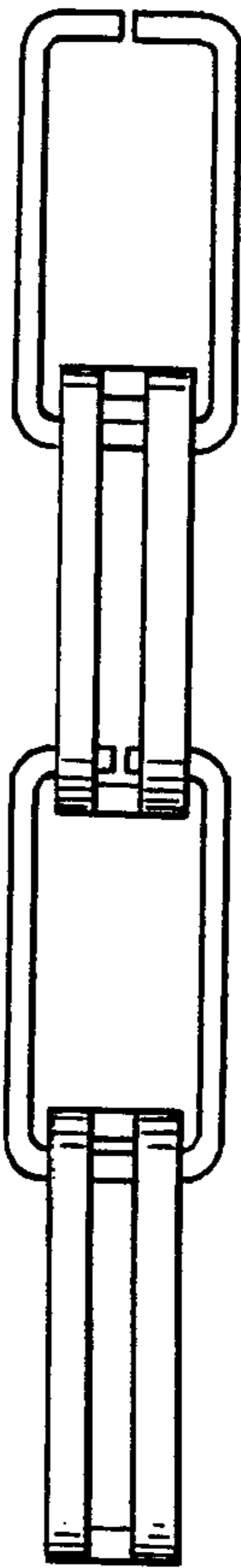


Fig. 3.

