

[54] GAS ANALYZER

[76] Inventor: John P. Salsgiver, 29 Ethan Allen Dr., Acton, Mass. 01720

[**] Term: 14 Years

[21] Appl. No.: 731,456

[22] Filed: Oct. 12, 1976

[51] Int. Cl. D10-04

[52] U.S. Cl. D10/81

[58] Field of Search D10/46, 81, 75; D24/8, D24/1.1; 210/31 R, 31 C; 55/67, 386; 73/23, 23.1; 23/232 C

[56] References Cited

U.S. PATENT DOCUMENTS

D. 142,227	8/1945	Newman	D10/81
D. 186,661	11/1959	Baldwin	D10/81
D. 216,970	3/1970	Nelson	D10/81

D. 235,742	7/1975	Rock	D10/46
D. 248,457	7/1978	Cullinane	D10/81
D. 250,810	1/1979	Stern	D10/81
3,309,504	3/1967	Rosso	55/386 X
3,714,421	1/1973	Josias	73/23.1 X
4,044,593	8/1977	Haruki	73/23.1

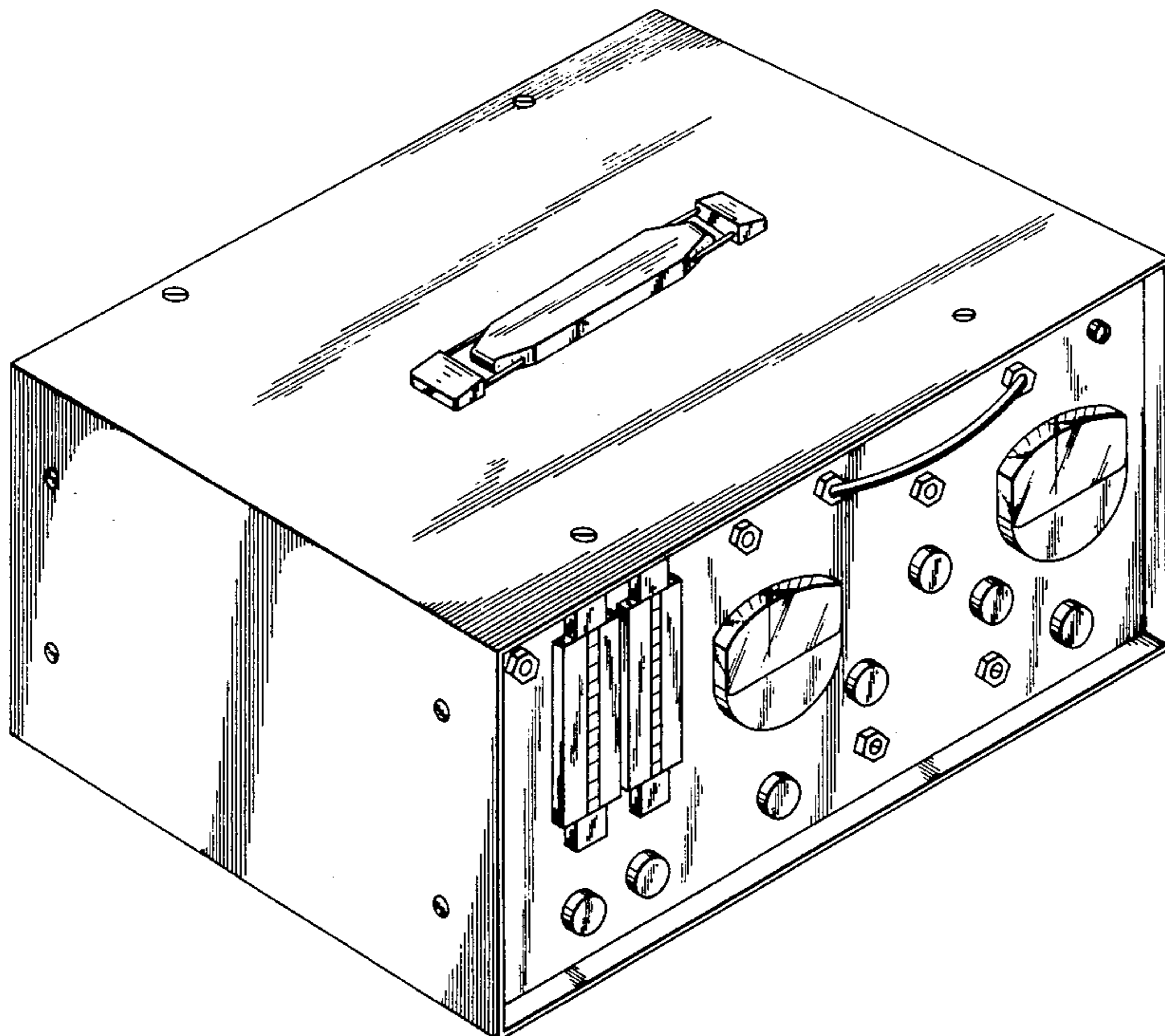
Primary Examiner—Nelson C. Holtje

[57] CLAIM

The ornamental design for gas analyzer, as shown and described.

DESCRIPTION

FIG. 1 is a front elevational view of a gas analyzer showing my design;
 FIG. 2 is a rear elevational view thereof;
 FIG. 3 is a top plan thereof;
 FIG. 4 is a right side elevational view thereof; the left side being a mirror image thereto.
 FIG. 5 is a top left front perspective view thereof.



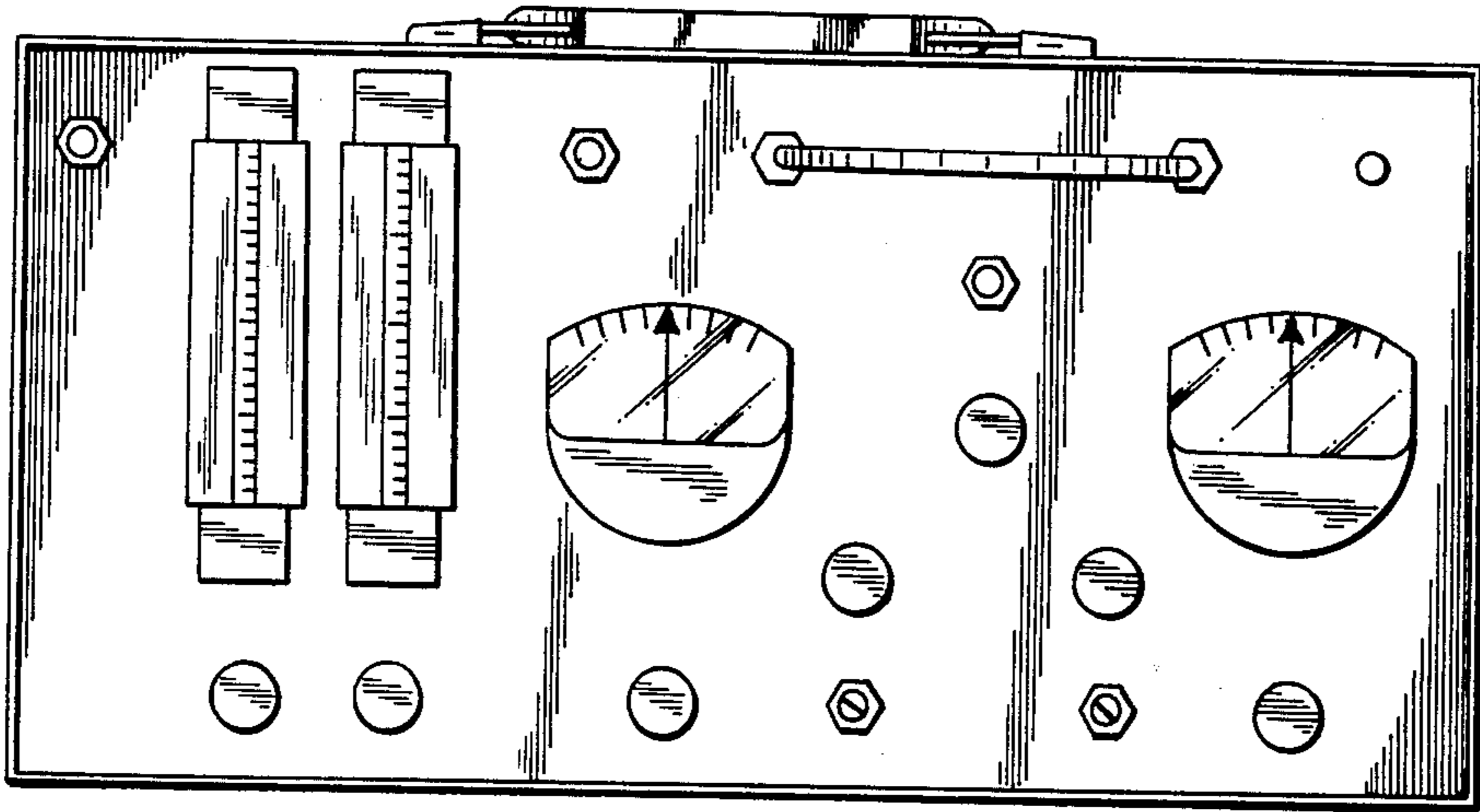


FIG 1

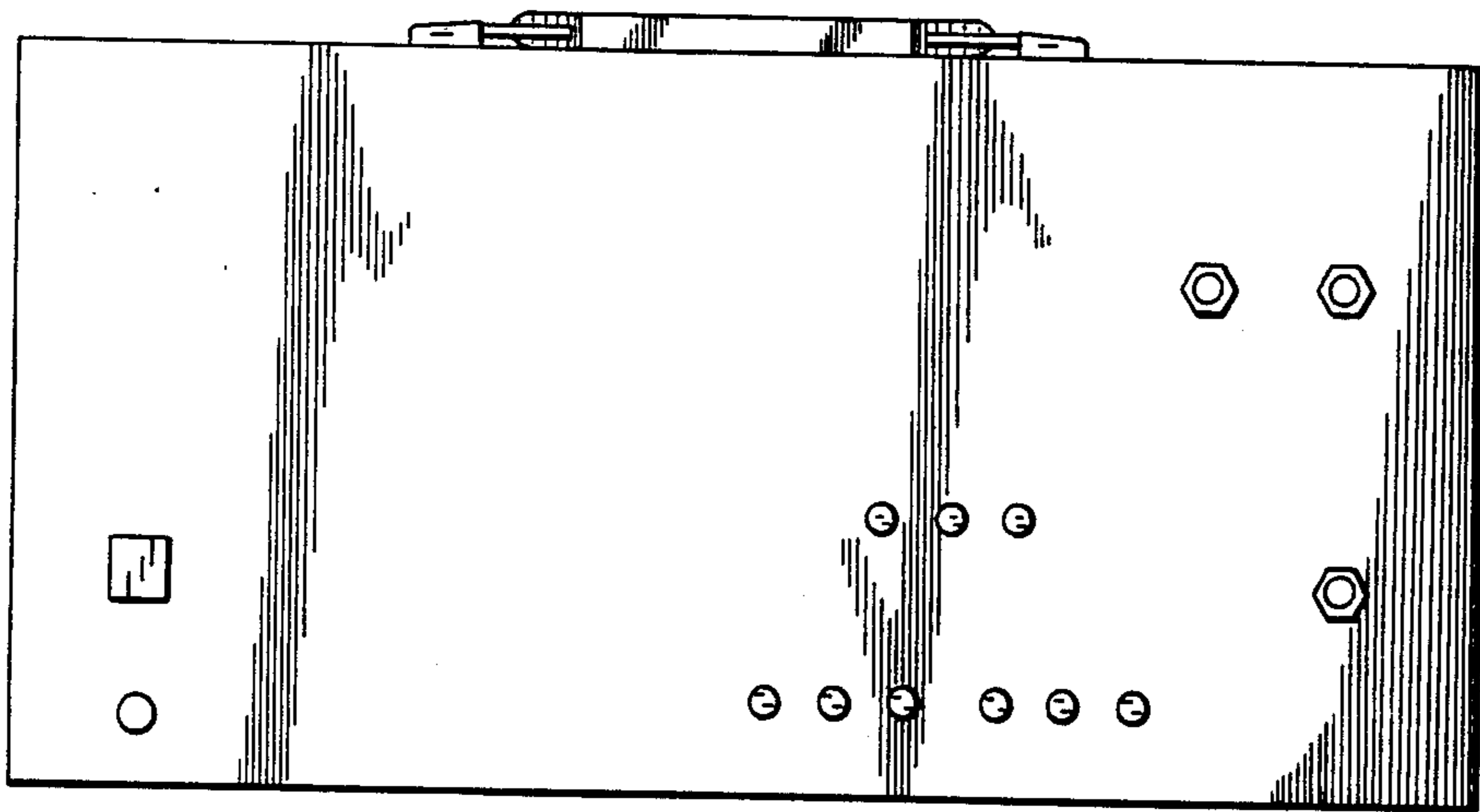


FIG 2

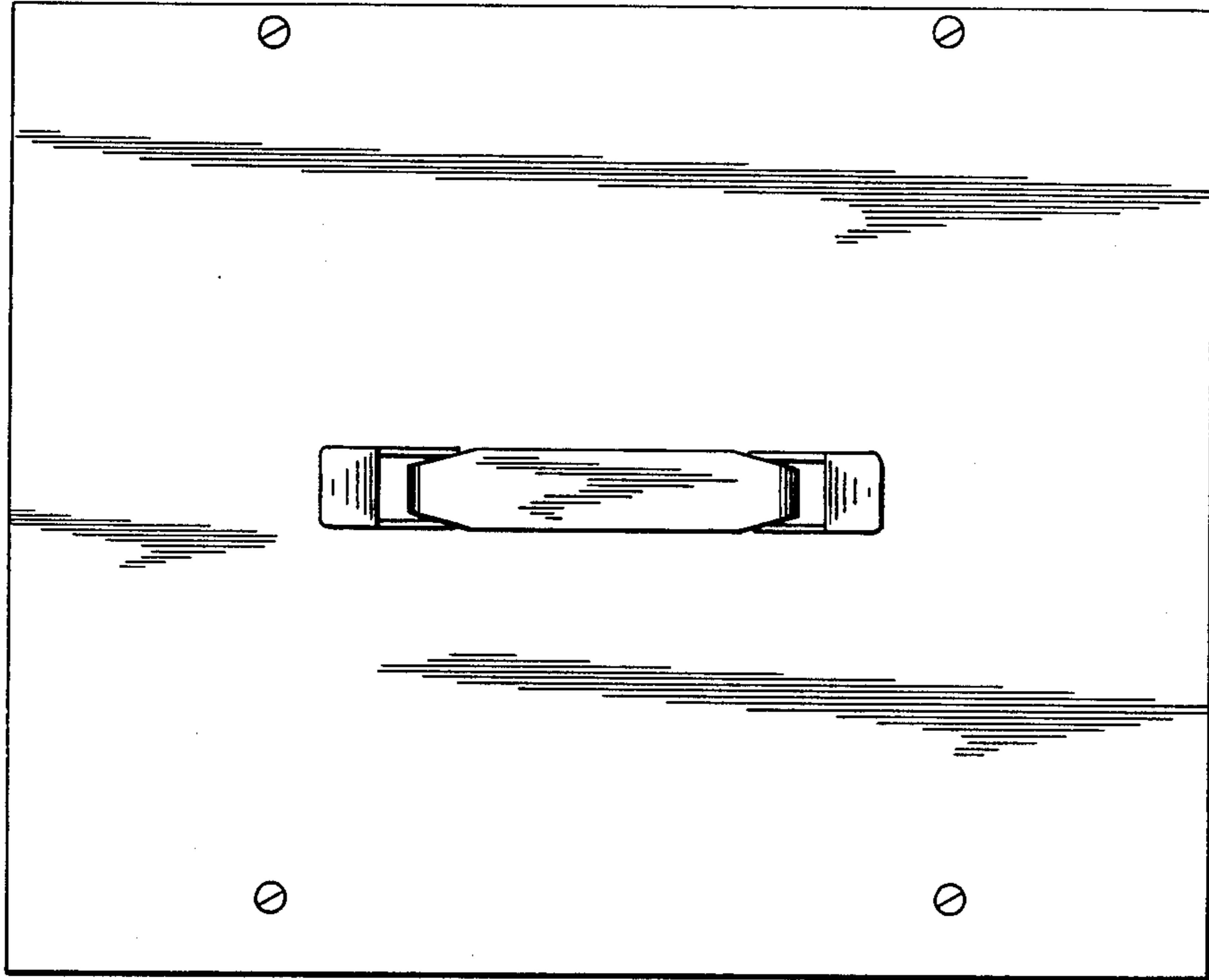


FIG. 3

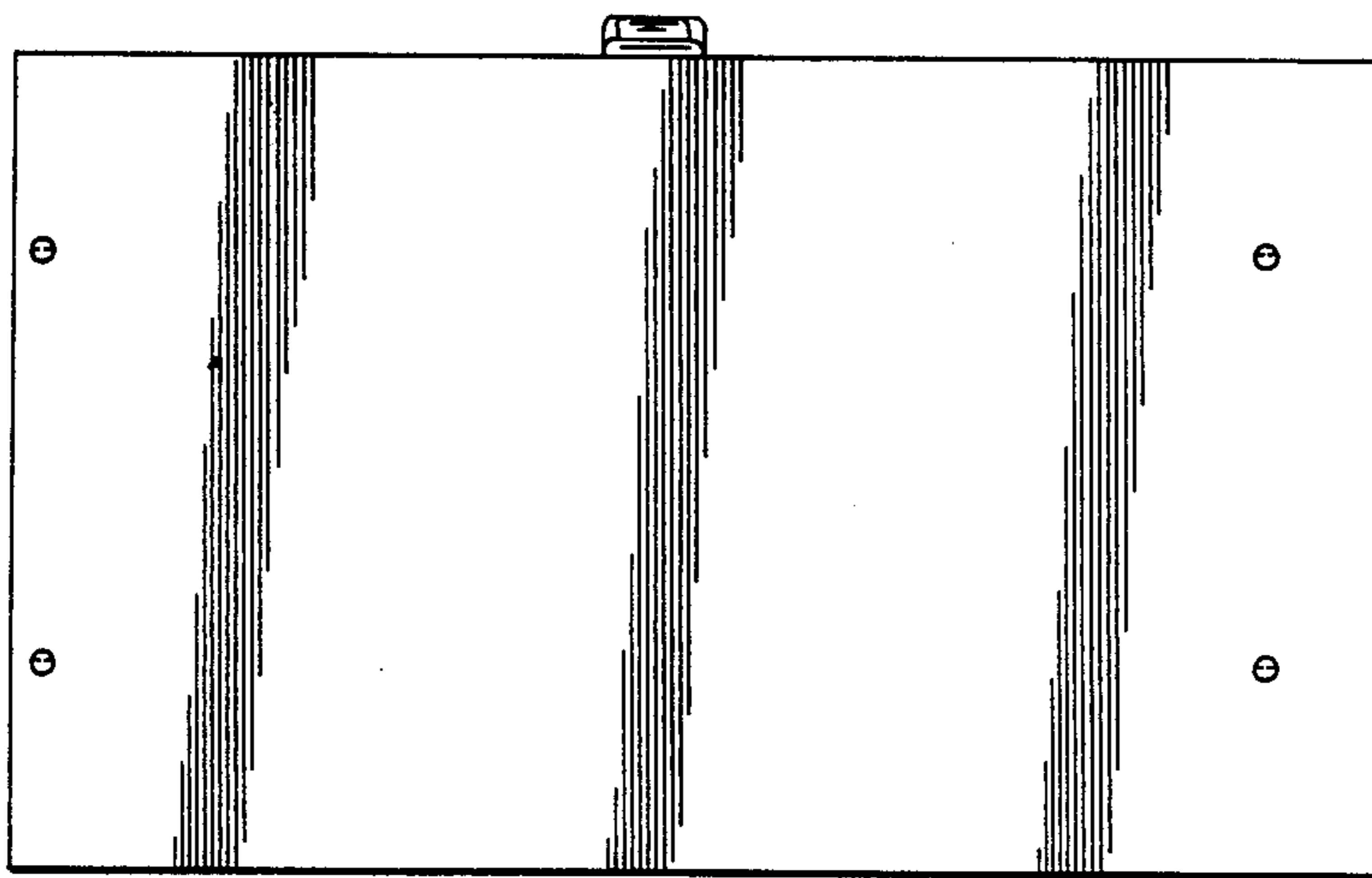


FIG. 4

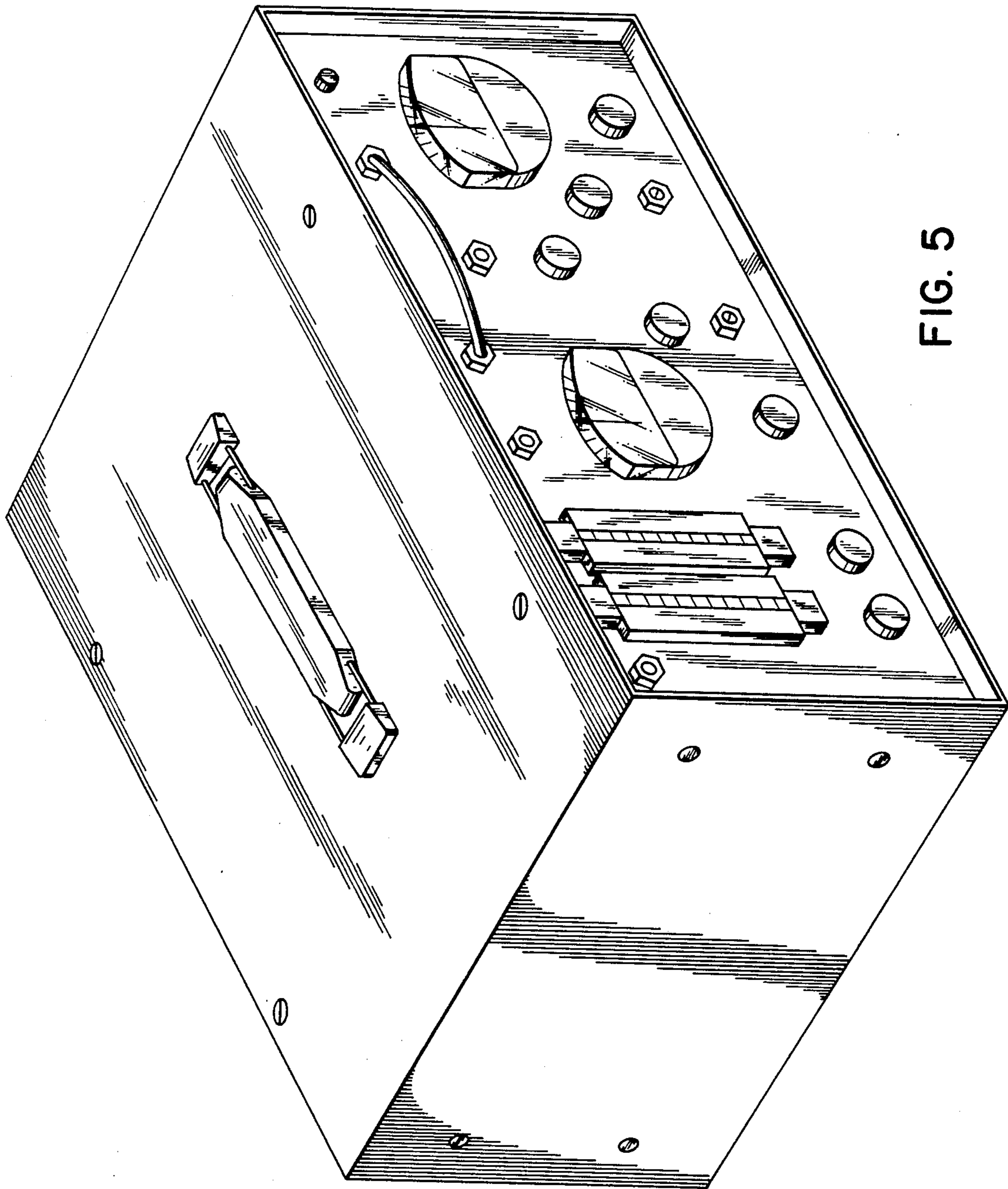


FIG. 5