

[54] **THREE-DIMENSIONAL CO-ORDINATE MEASURING APPARATUS**

[75] Inventors: **Shingo Nishina; Masami Saito**, both of Kawasaki, Japan

[73] Assignee: **Mitutoyo Mfg. Co., Ltd.**, Tokyo, Japan

[**] Term: **14 Years**

[21] Appl. No.: **880,237**

[22] Filed: **Feb. 22, 1978**

[51] Int. Cl. **D10-04**

[52] U.S. Cl. **D10/73; D10/64**

[58] Field of Search **D10/70, 71, 72, 73, D10/74, 65, 64, 46; 33/174 L, 174 R, 1 M**

2,981,123 4/1961 McHugh 33/1 M

3,210,856 10/1965 Murphy 33/174 L

3,438,133 4/1969 Brault 33/1 M

3,639,993 2/1972 Sartorio 33/174 R

3,802,086 4/1974 Walker 33/174 L

Primary Examiner—Nelson C. Holtje
Attorney, Agent, or Firm—William L. Androlia

[57] **CLAIM**

The ornamental design for a three-dimensional co-ordinate measuring apparatus, substantially as shown and described.

DESCRIPTION

FIG. 1 is a left front perspective view of a three-dimensional co-ordinate measuring apparatus showing our new design;

FIG. 2 is a front elevational view thereof;

FIG. 3 is a rear elevational view thereof;

FIG. 4 is a right side elevational view thereof;

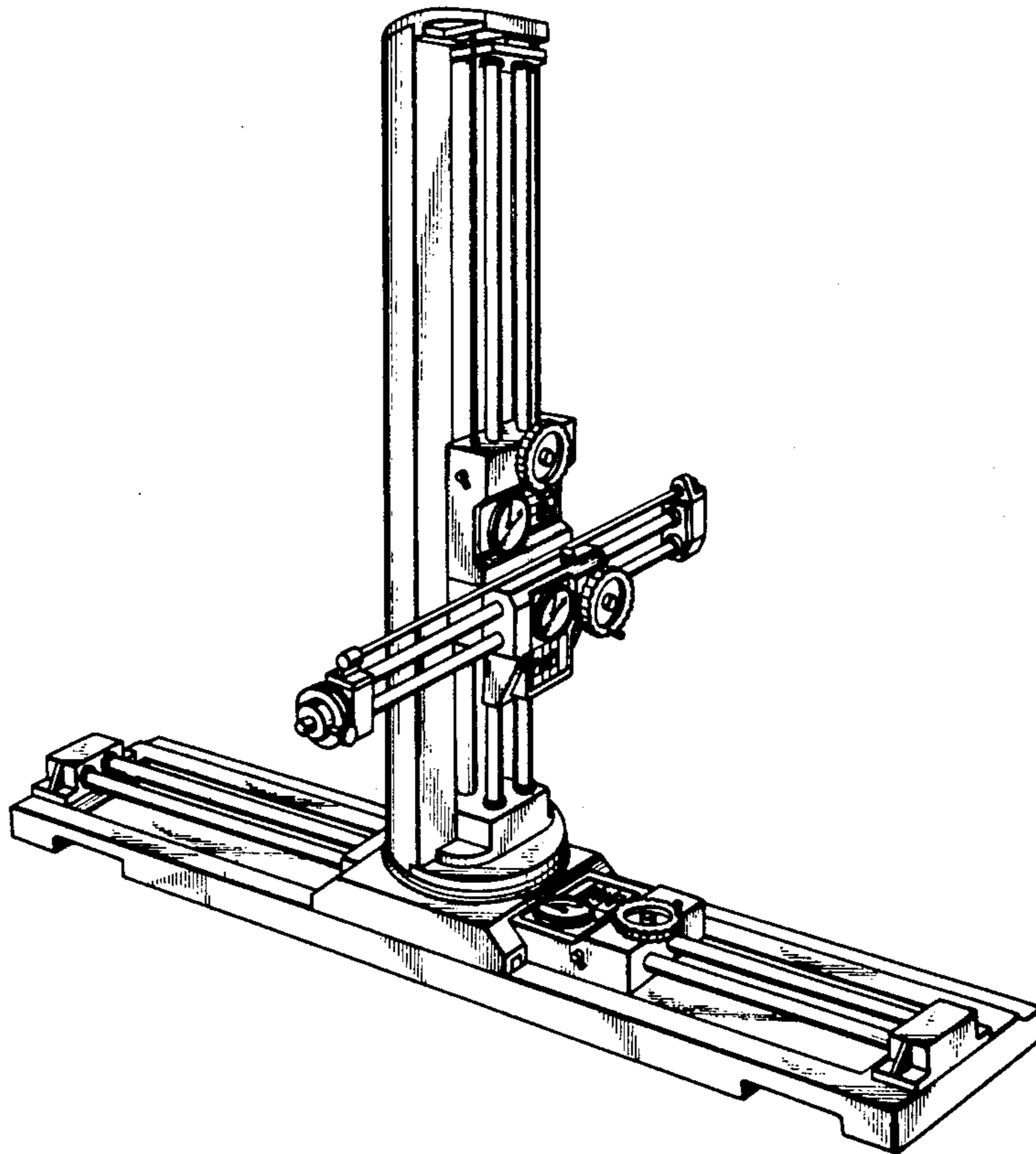
FIG. 5 is a top plan view thereof;

FIG. 6 is a left side elevational view thereof.

[56] **References Cited**

U.S. PATENT DOCUMENTS

2,914,859 12/1959 Oakley 33/174 L



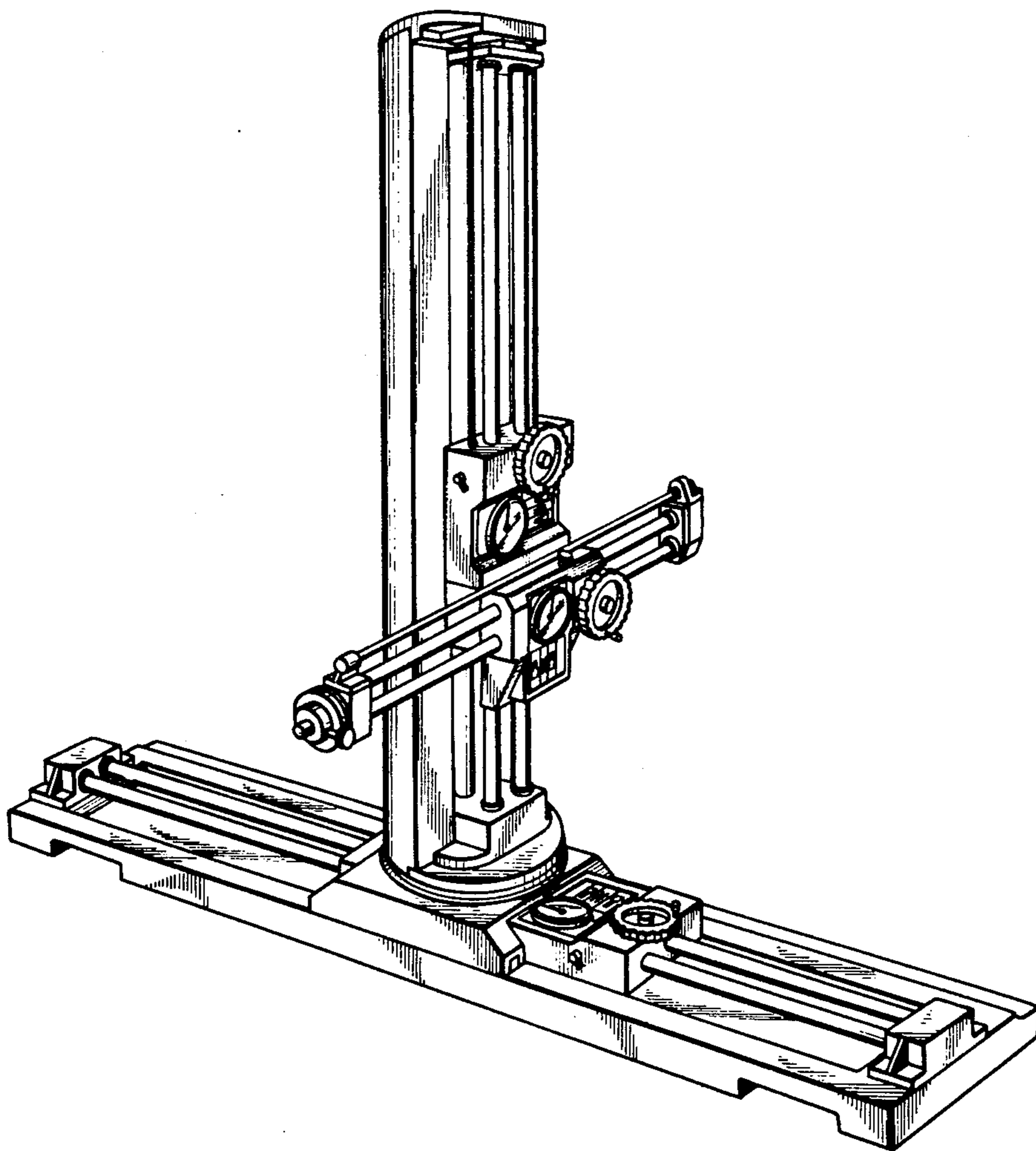


FIG. 1

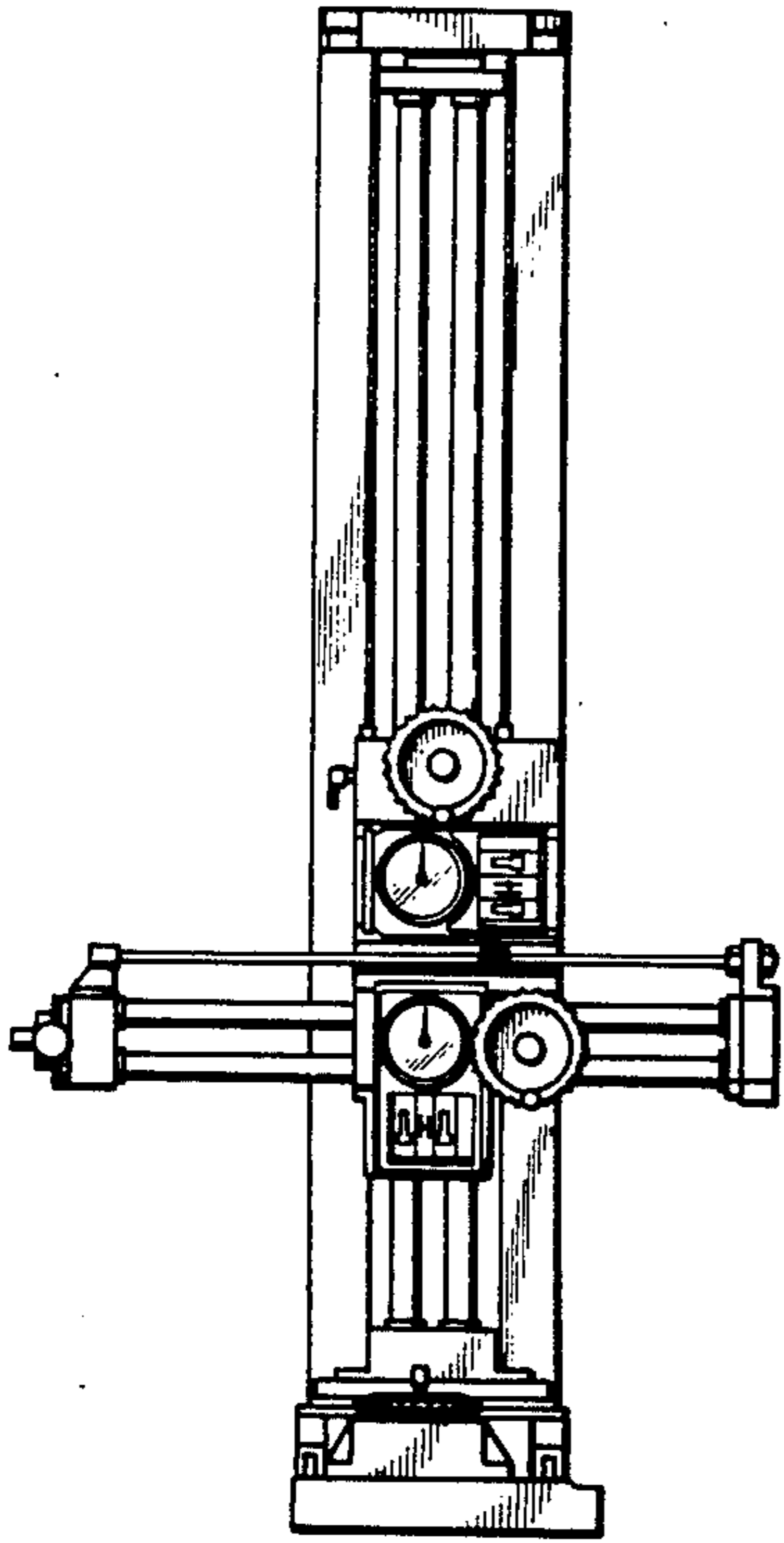


FIG. 2

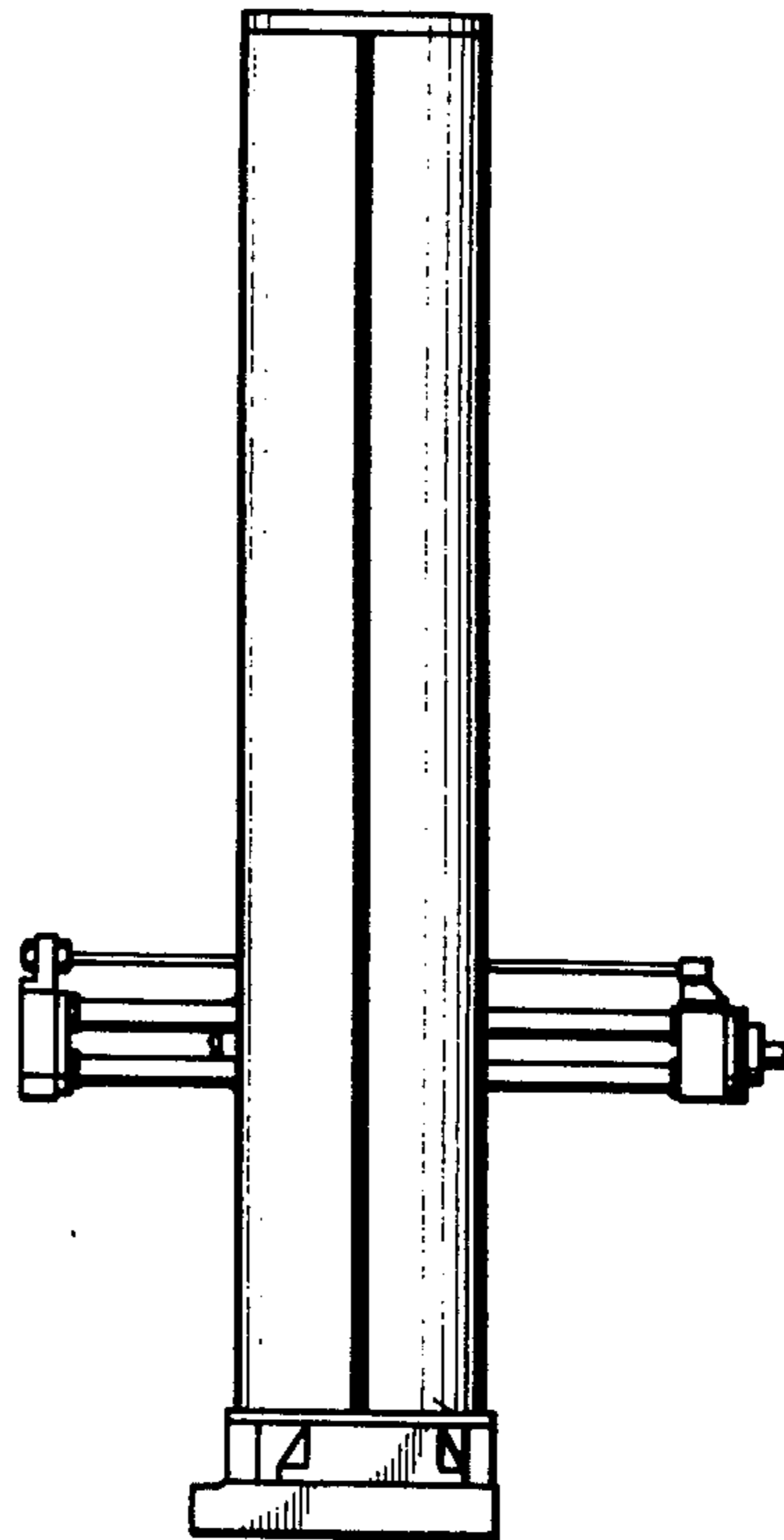


FIG. 3

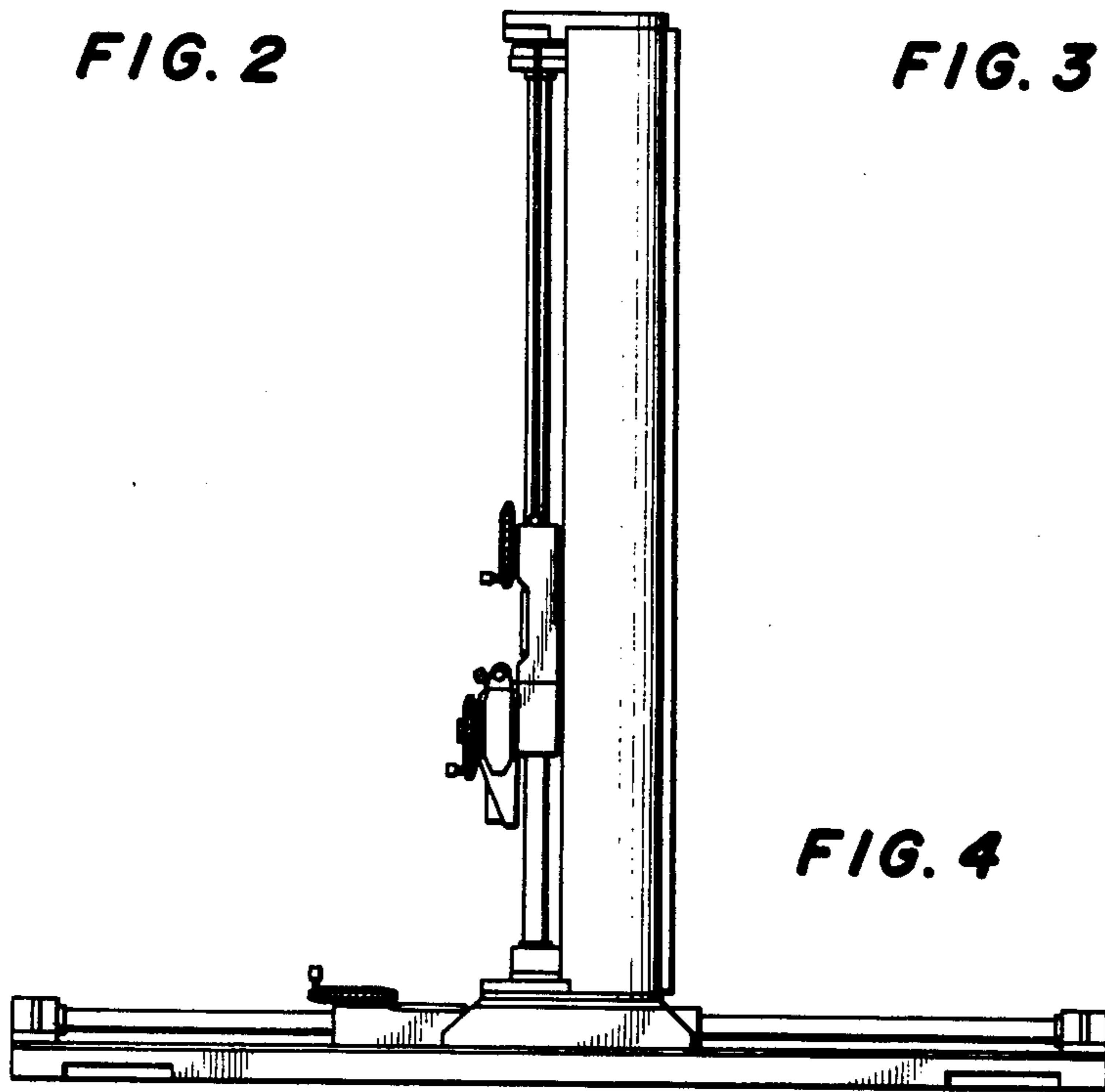


FIG. 4

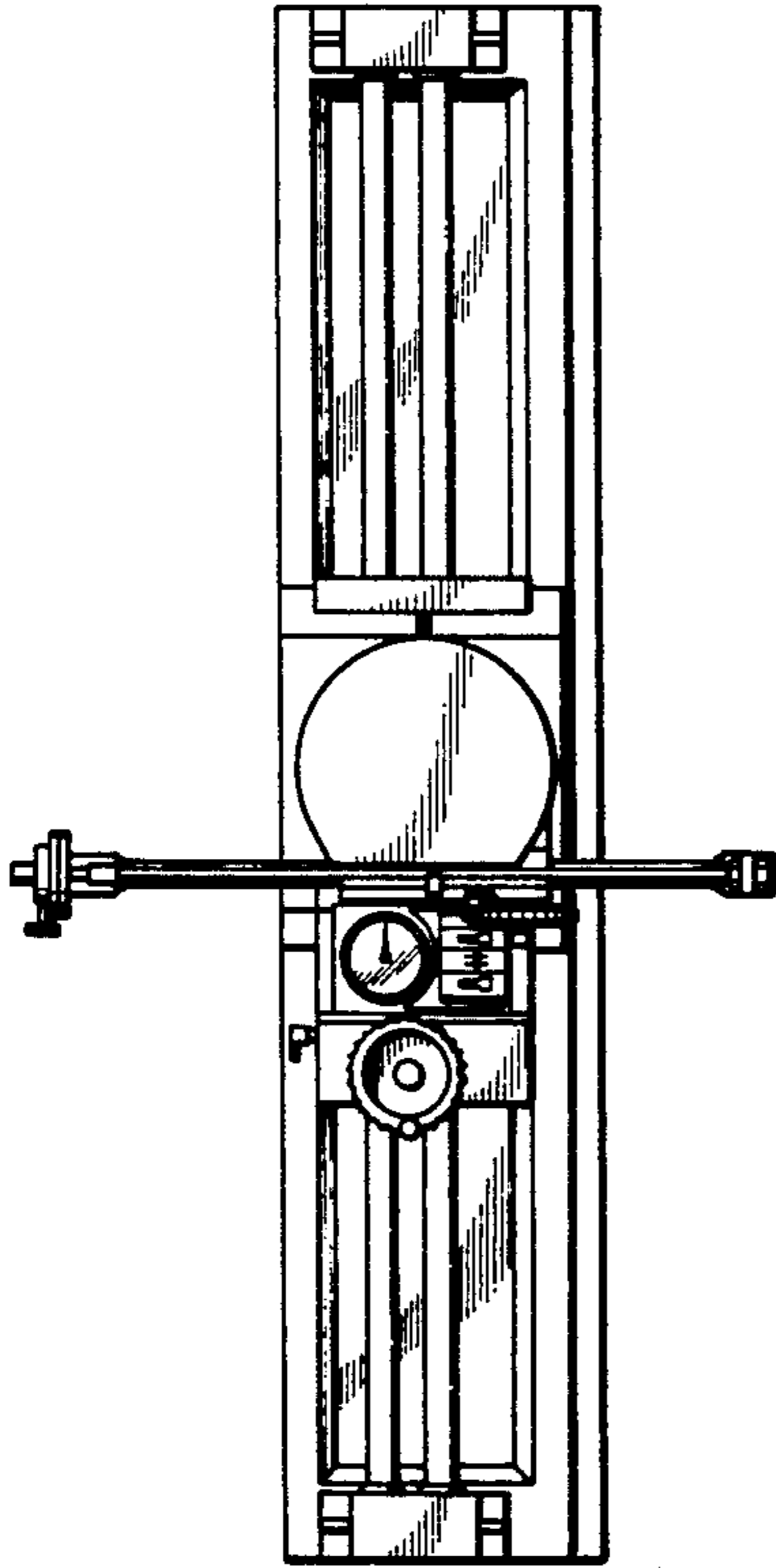


FIG. 5

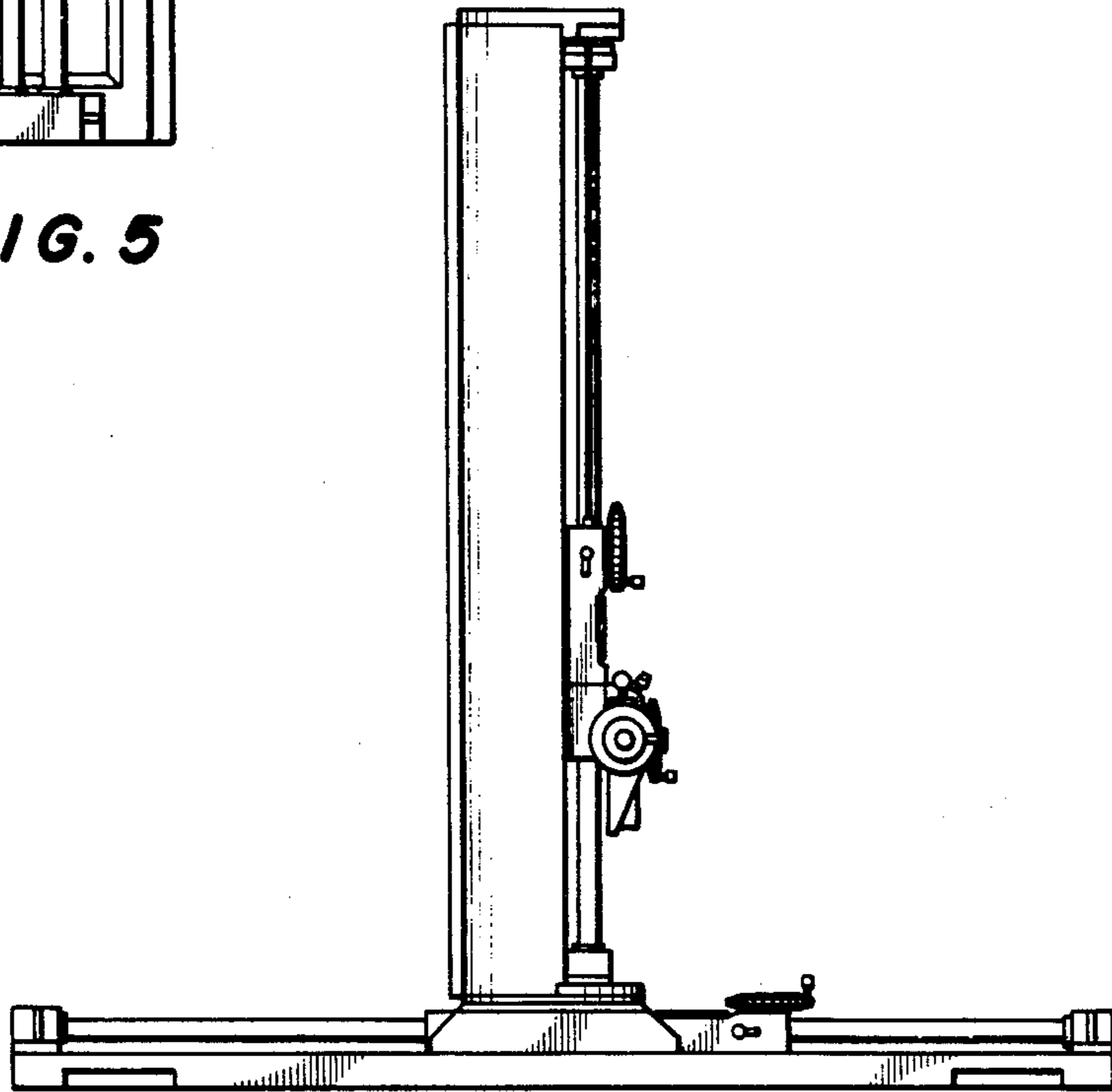


FIG. 6