

[54] MOISTURE MEASURING METER

[75] Inventor: Howard Moon, Ft. Atkinson, Wis.

[73] Assignee: Seaman Nuclear Corporation, Oak Creek, Wis.

[**] Term: 14 Years

[21] Appl. No.: 943,237

[22] Filed: Sep. 18, 1978

[51] Int. Cl. D10-04
[52] U.S. Cl. D10/56
[58] Field of Search D10/46-47,
D10/56, 75, 78, 102, 81; 73/73, 74, 75, 76, 77,
336.5, 431; 250/336

[56]

References Cited

U.S. PATENT DOCUMENTS

D. 152,619	2/1949	Kimball	D10/56
D. 227,400	6/1973	Martin	D10/56
2,043,241	6/1936	Eyer	D10/56 X
2,966,061	12/1960	Ross	73/336.5
3,427,537	2/1969	Osborne	D10/56 X

Primary Examiner—Nelson C. Holtje
Attorney, Agent, or Firm—Fred Wiviott

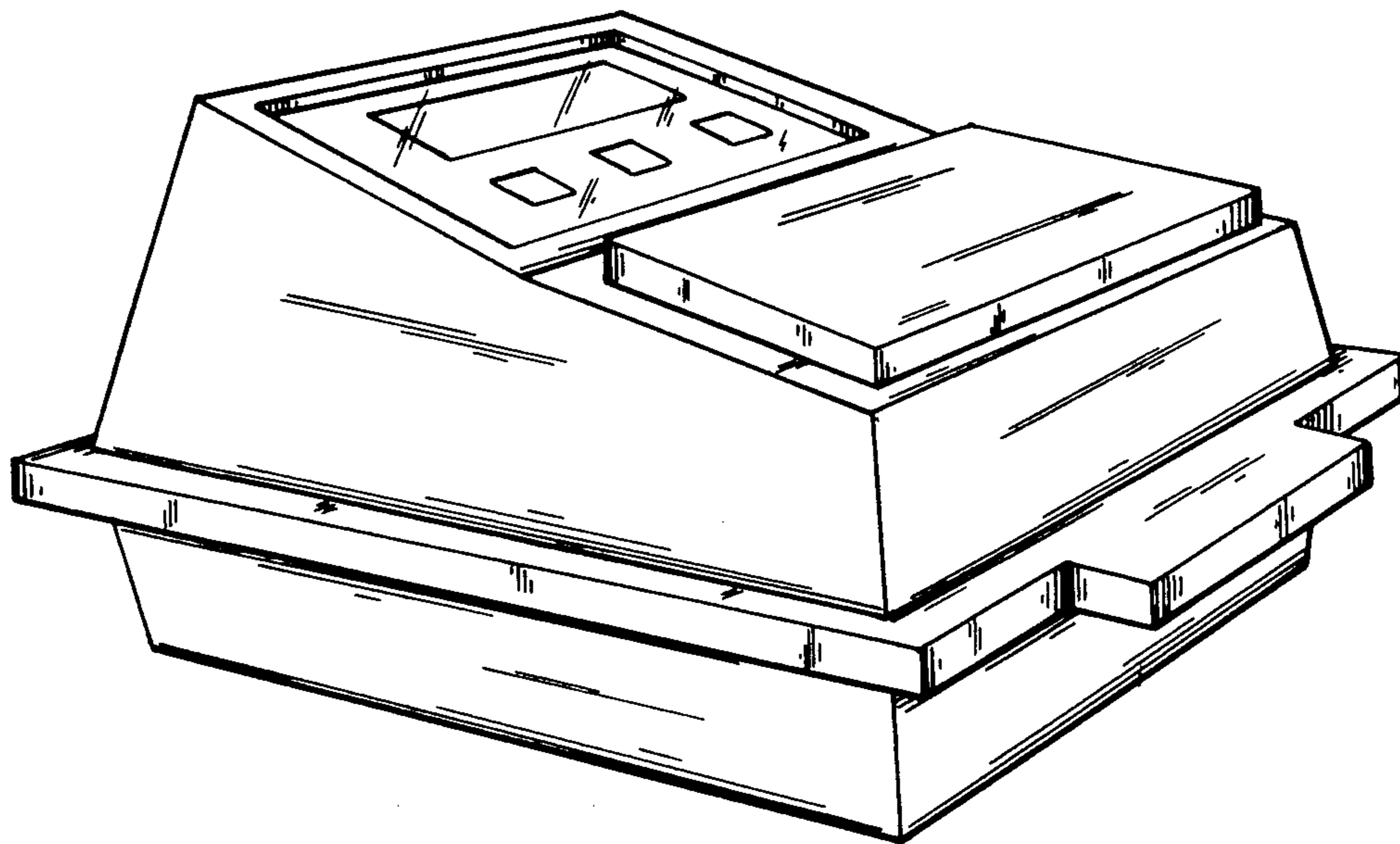
[57]

CLAIM

The ornamental design for a moisture measuring meter, as shown.

DESCRIPTION

FIG. 1 is a top and left front perspective view of a moisture measuring meter showing my new design; FIG. 2 is a right side elevational view thereof; FIG. 3 is a rear elevational view thereof.



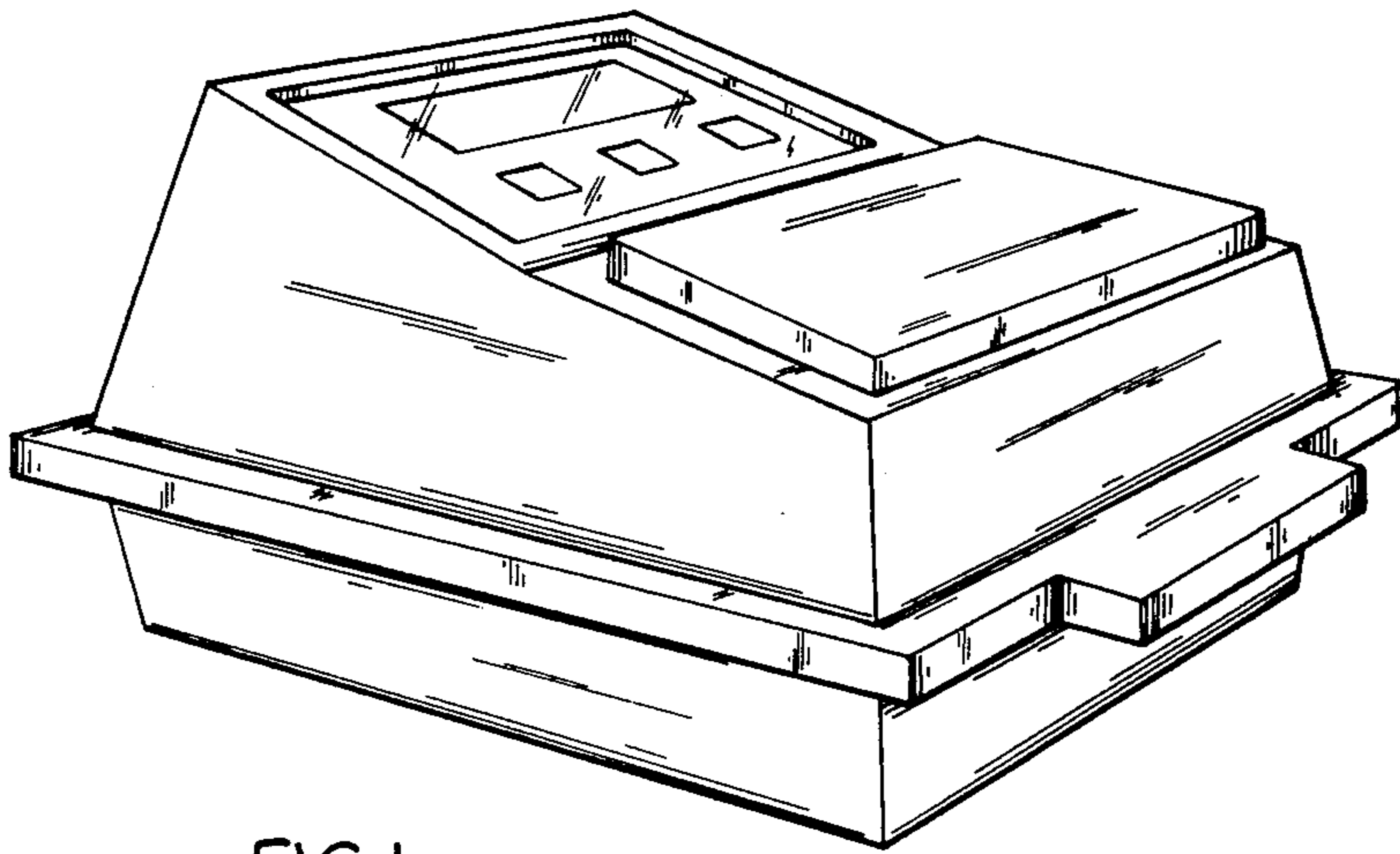


FIG. 1

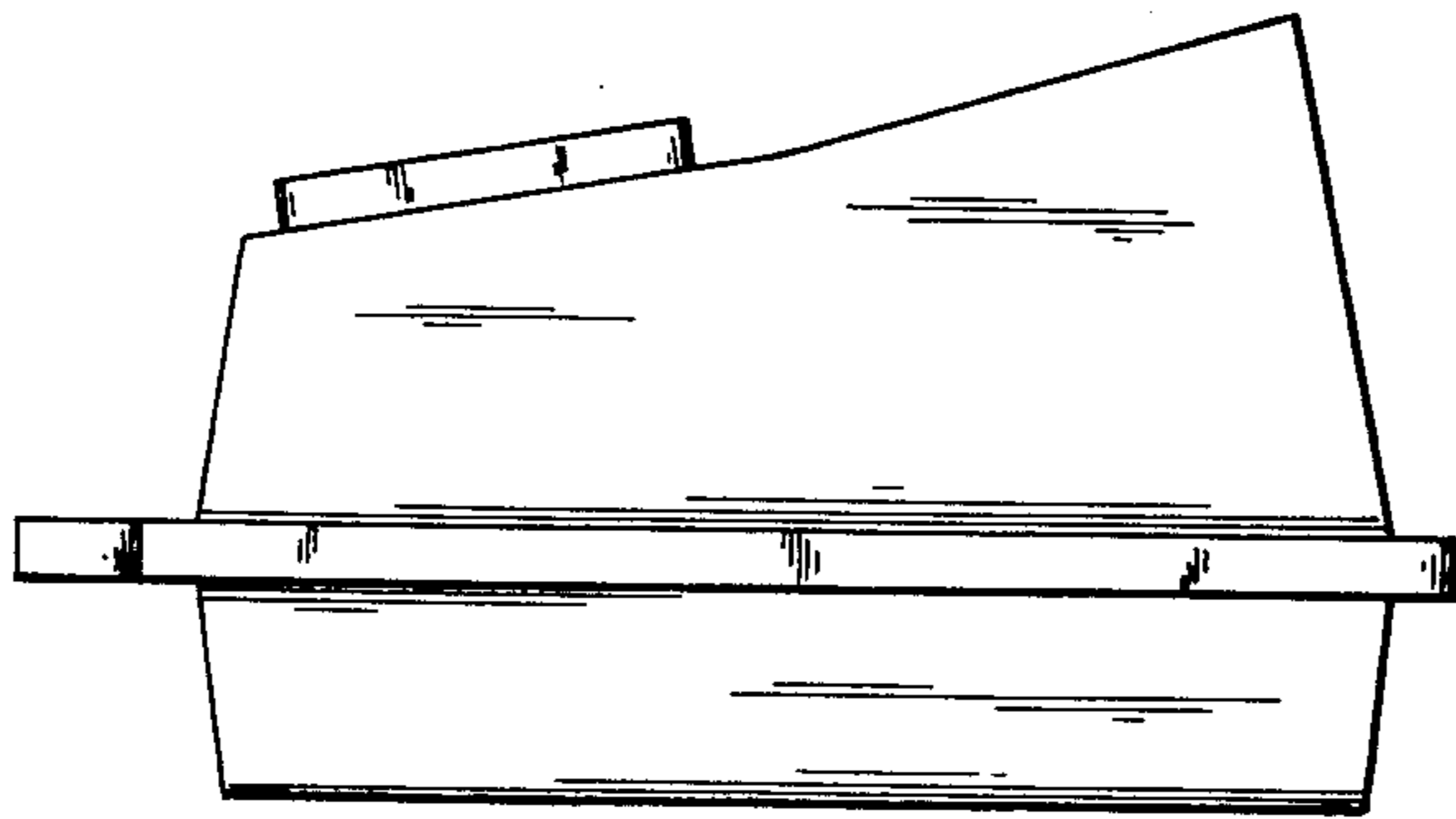


FIG. 2

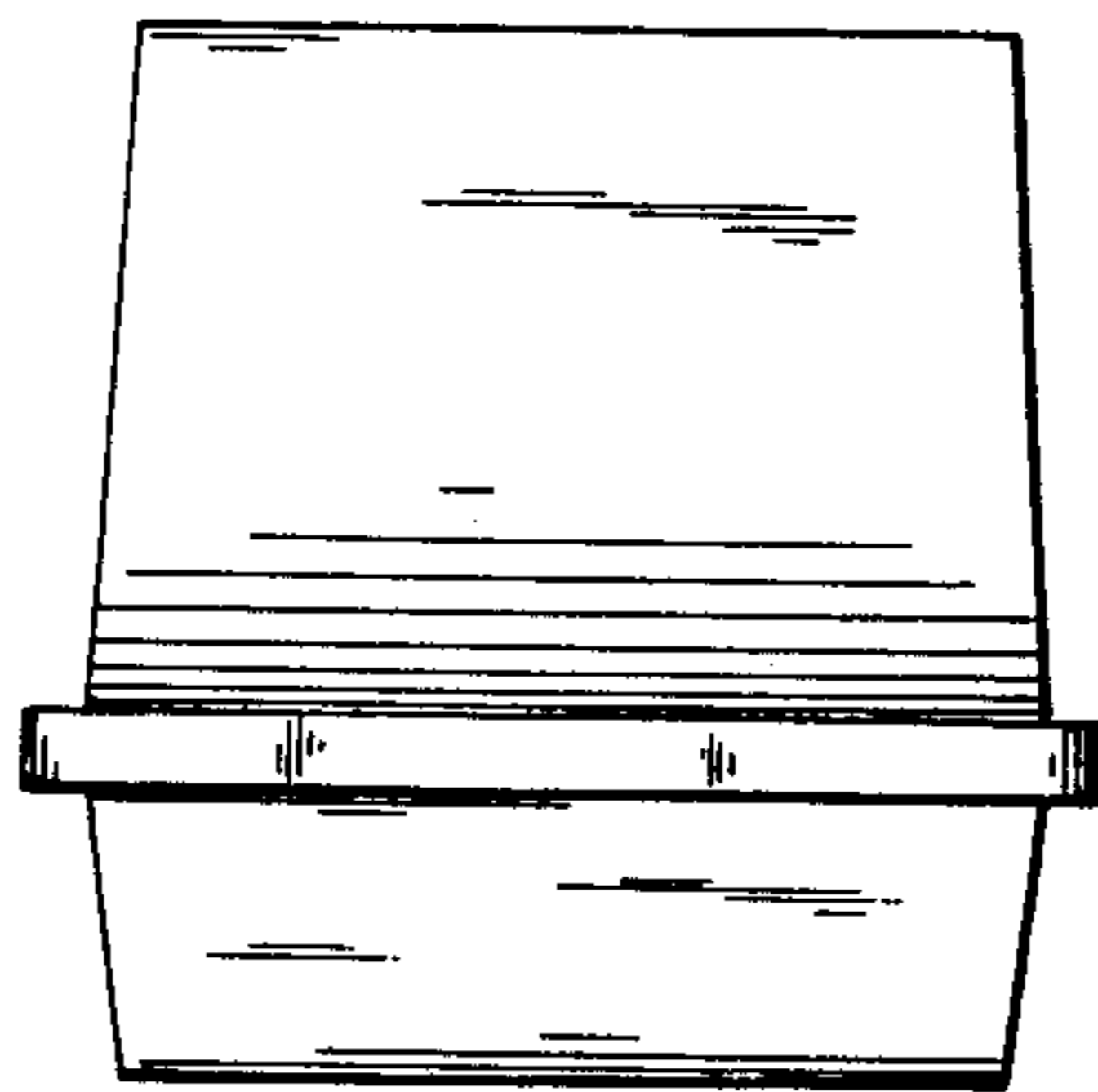


FIG. 3