

[54] FISHING ROD HOLDER UNIT

[76] Inventor: Ruth Helgren, Lot 20, Timberbrook  
Mobile Park, Bristol, Ind. 46507

[\*\*] Term: 14 Years

[21] Appl. No.: 902,994

[22] Filed: May 4, 1978

[51] Int. Cl. .... D8-08

[52] U.S. Cl. .... D8/395; D8/396

[58] Field of Search ..... D6/114, 125; D8/356,  
D8/364, 367, 373, 376, 380, 383, 394, 395, 396;  
D22/22, 25; 248/74 A, 74 B, 315, 201, 74 PB,  
316 D, 511, 359; 211/60 R, 66-69.8, 89, 64, 60  
T, 60 R, 60 M, 251, 255; 43/21.2, 25, 25.2, 26,  
54.5 R, 54.5 A; 24/257, 81 CC, 81 B, 81 DM;  
224/922, 917, 45.5, 45 R; 150/1.5 R

[56] References Cited

U.S. PATENT DOCUMENTS

3,294,347	12/1966	Mongesku et al. ....	248/251 X
3,425,150	2/1969	Braese .....	43/25.2
3,992,799	11/1976	Oakes .....	24/81 CC

Primary Examiner—Peter Feldman  
Attorney, Agent, or Firm—Eugene C. Knoblock

[57] CLAIM

The ornamental design is a fishing rod holder unit, as shown and described.

DESCRIPTION

FIG. 1 is a reduced perspective view of a fishing rod holder unit with the fishing rod shown in broken lines for illustrative purposes only, showing my new design. FIG. 2 is a perspective view of one part of the fishing rod holder unit, the obverse sides being identical with that shown.

FIG. 3 is a perspective view of another part of the fishing rod holder unit, the obverse sides being identical with that shown.

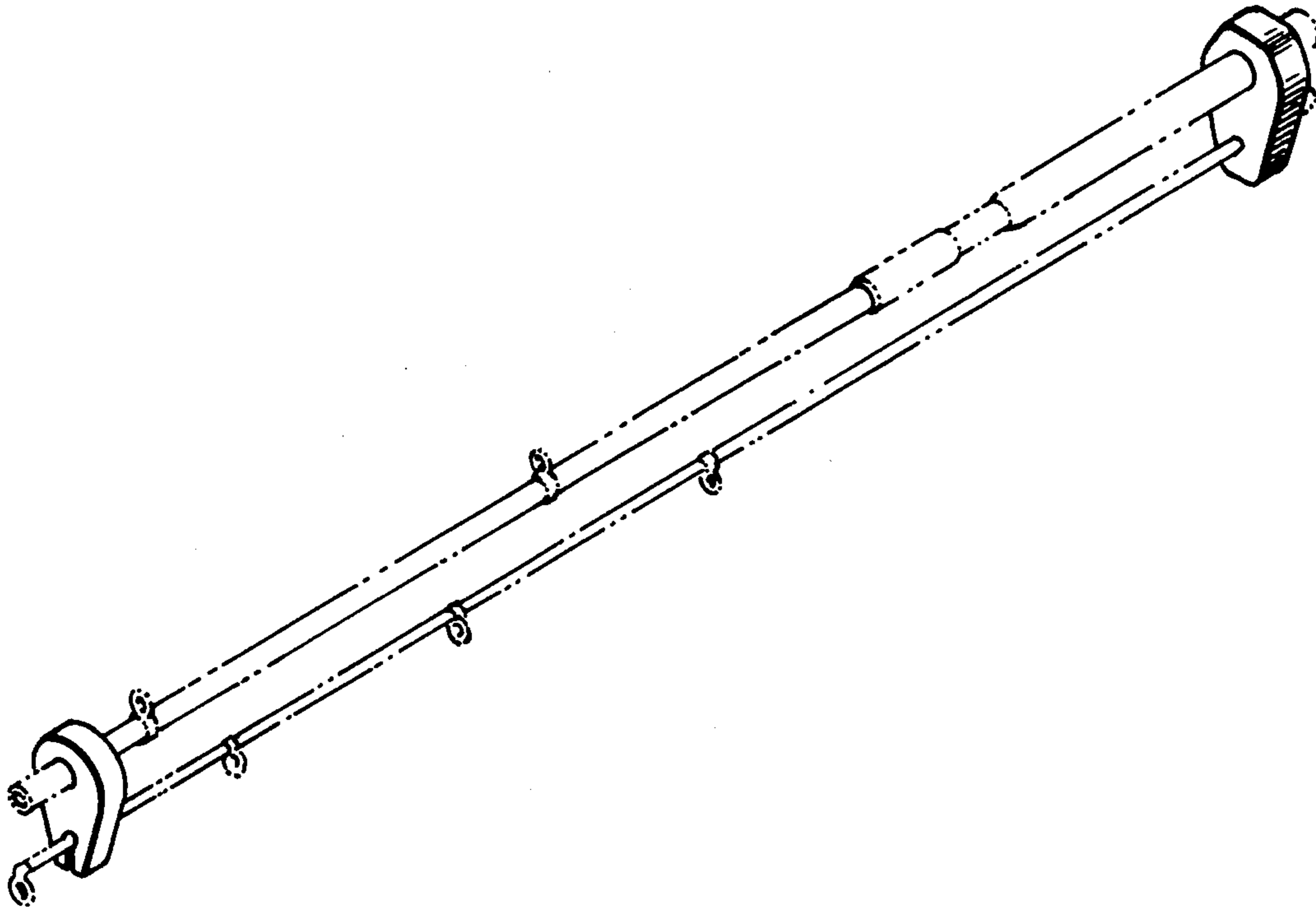


Fig. 1

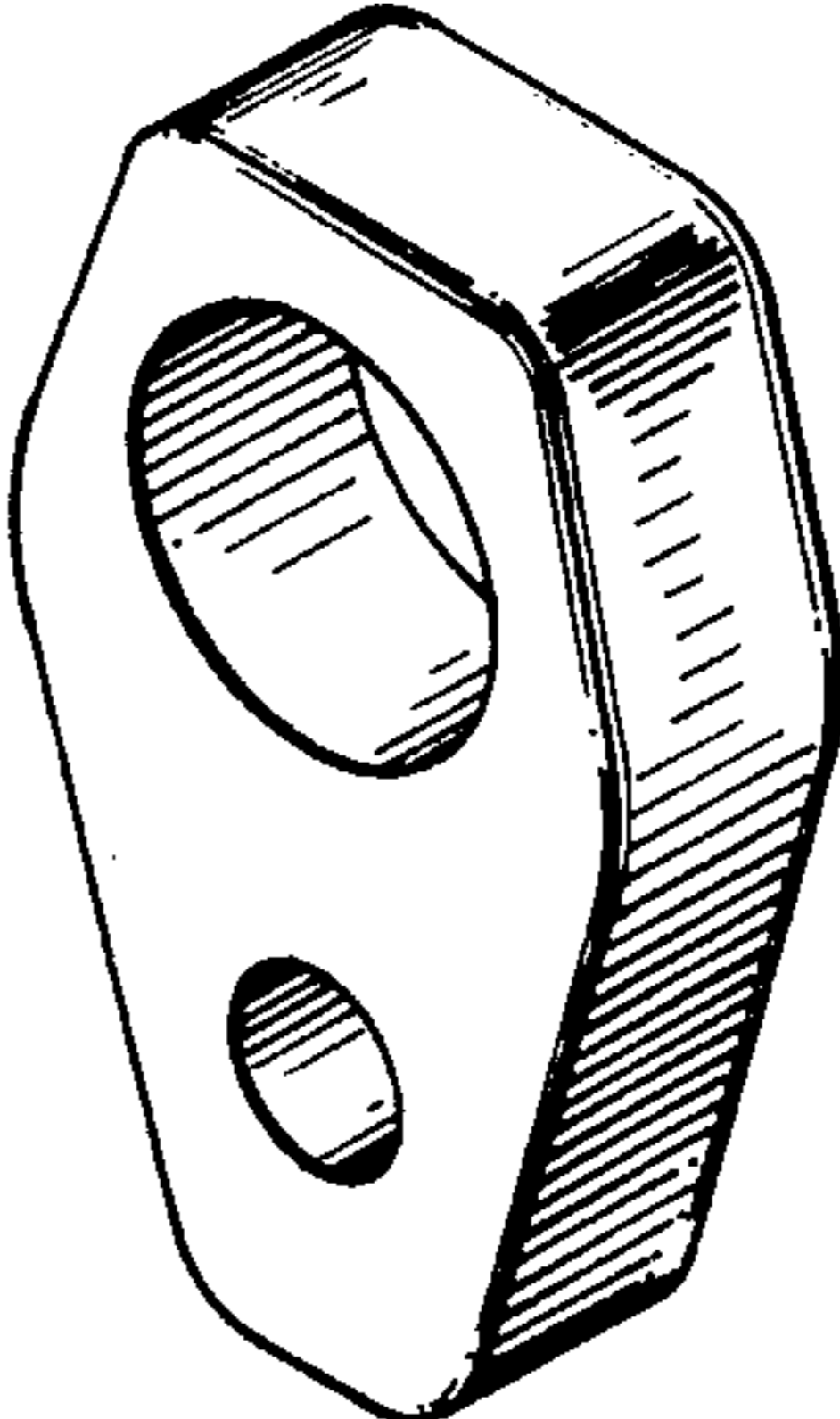
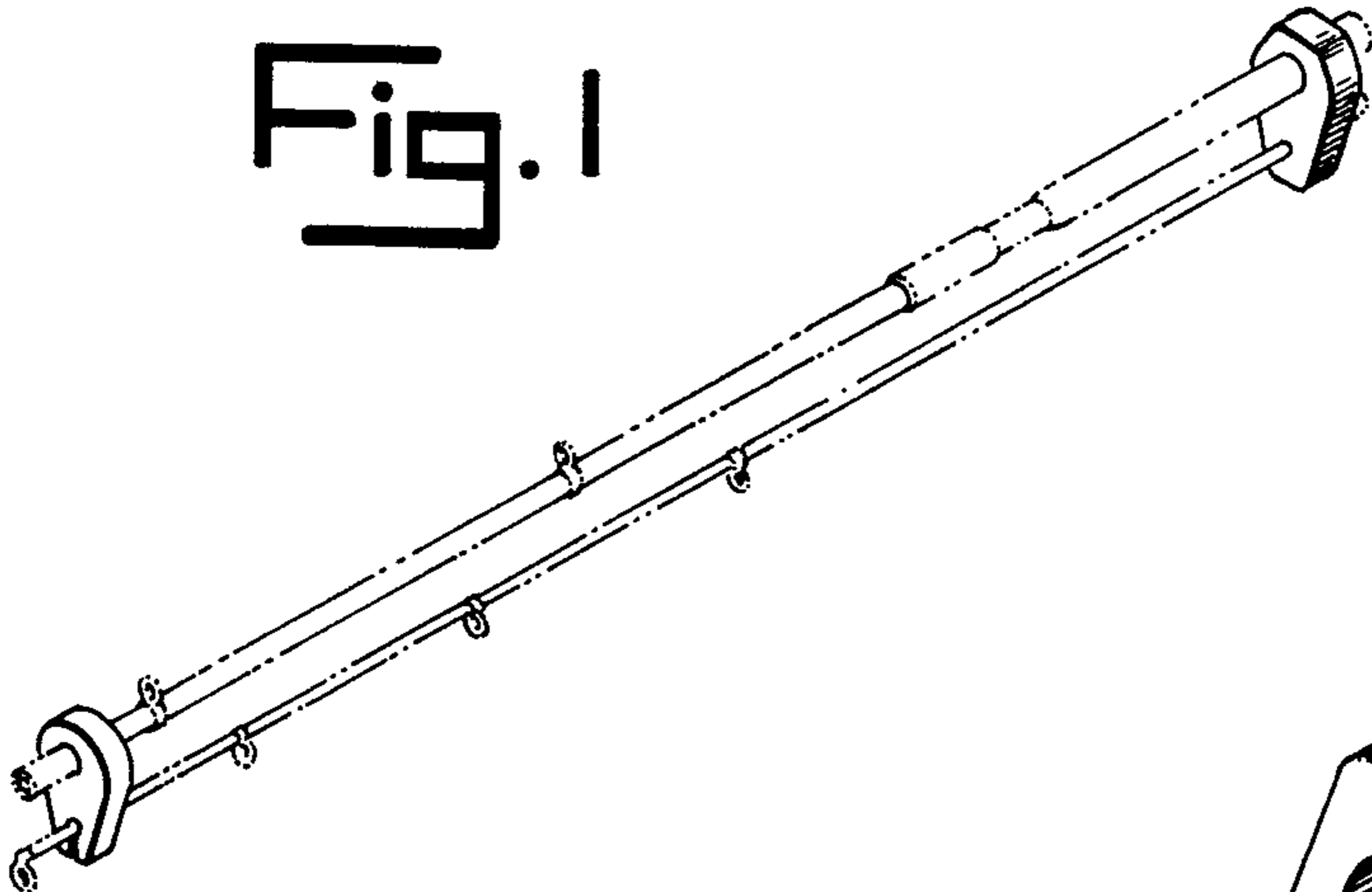


Fig. 2

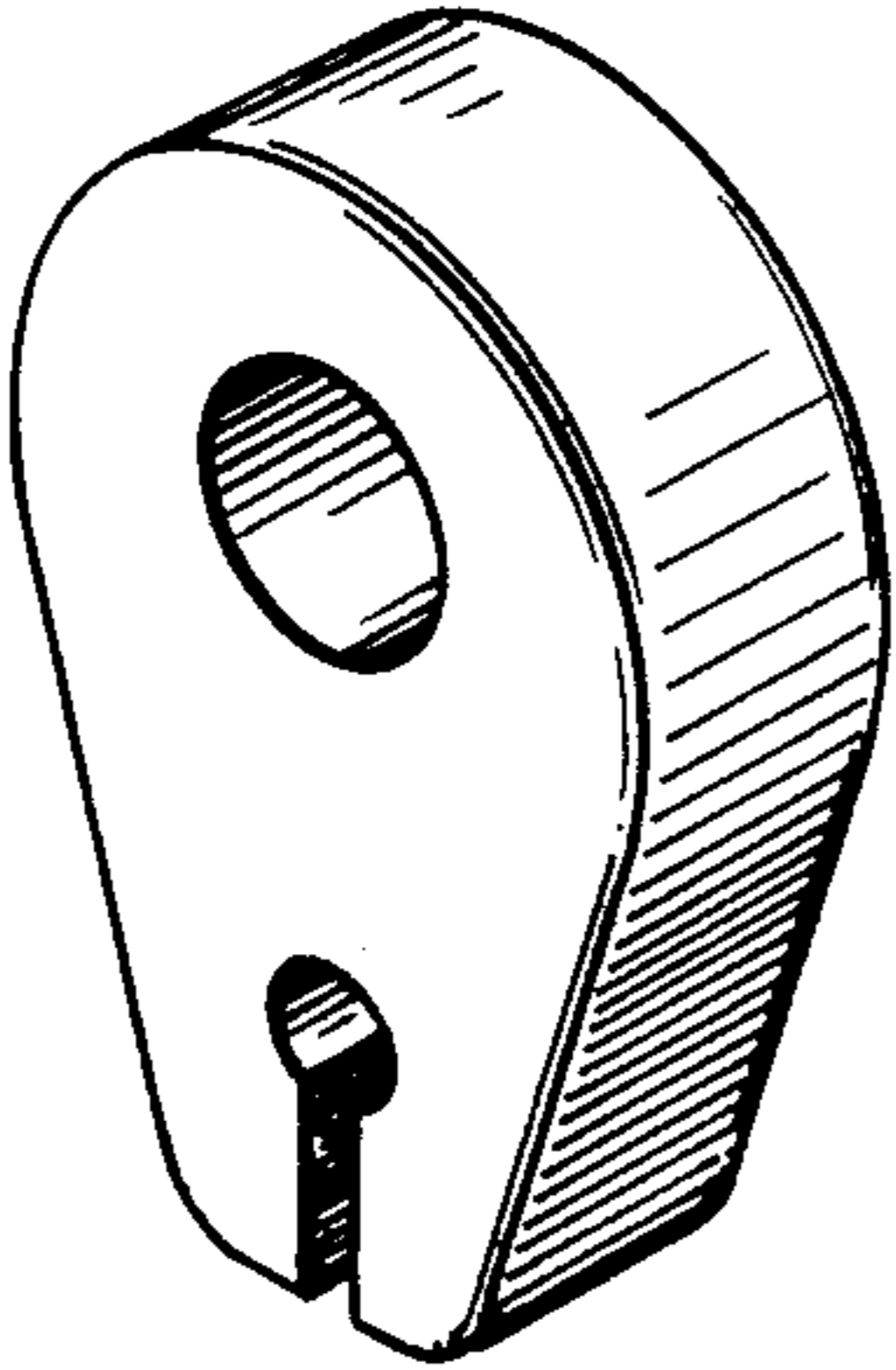


Fig. 3