

[54] MOTOR DRILL

[75] Inventors: Ikuo Kitagawa, Iruma; Katsuzo Ikeda, Hanno, both of Japan

[73] Assignee: Olympic Fishing Tackles Co., Ltd., Saitama, Japan

[**] Term: 14 Years

[21] Appl. No.: 873,409

[22] Filed: Jan. 30, 1978

[30] Foreign Application Priority Data

Jul. 27, 1977 [JP] Japan 52/29888

[51] Int. Cl. D08-01

[52] U.S. Cl. D8/68

[58] Field of Search 310/47, 50; 173/163, 173/170; D8/68; D15/132

[56] References Cited

U.S. PATENT DOCUMENTS

3,352,368 11/1967 Maffey, Jr. 310/50

OTHER PUBLICATIONS

Desoutter Catalog 412, Portable Pneumatic Tools, p. 11, Tool Type 2TC3P, Eff. date 2/1/72.

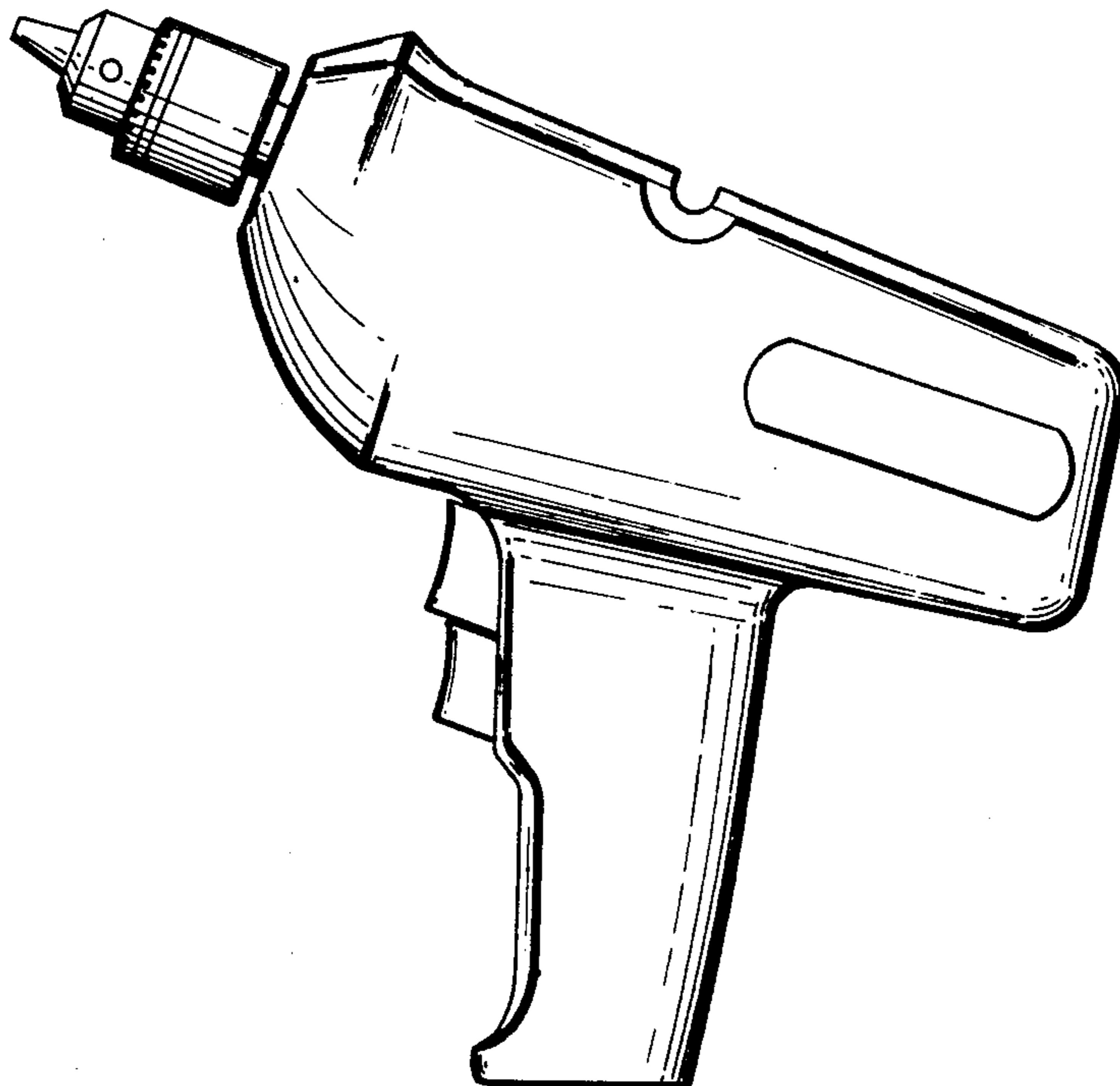
Primary Examiner—W. Stallard
Attorney, Agent, or Firm—Terrell C. Birch

[57] CLAIM

The ornamental design of a motor drill, as shown and described.

DESCRIPTION

FIG. 1 is a top plan view thereof;
FIG. 2 is a left-side elevational view thereof;
FIG. 3 is a bottom plan view thereof;
FIG. 4 is a front elevational view thereof;
FIG. 5 is a rear elevational view thereof;
FIG. 6 is a right-side elevational view thereof.



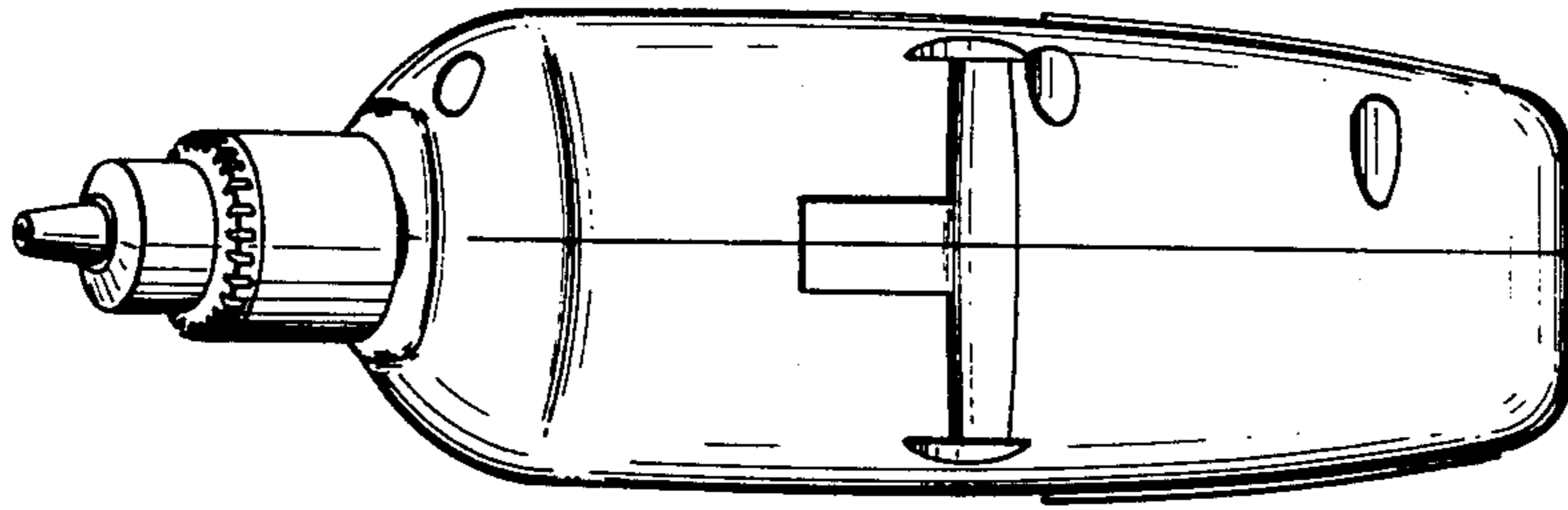


FIG. 1

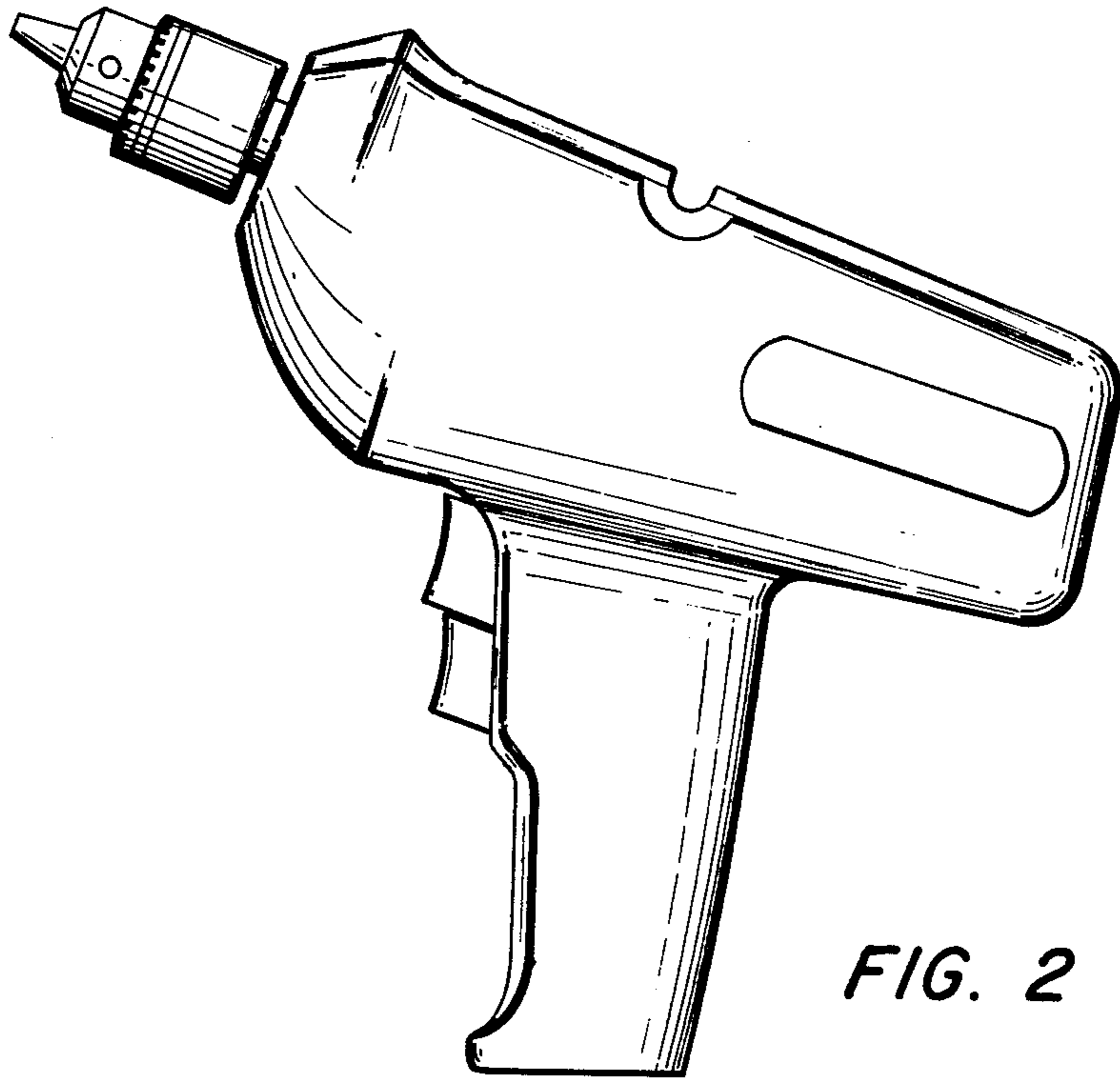


FIG. 2

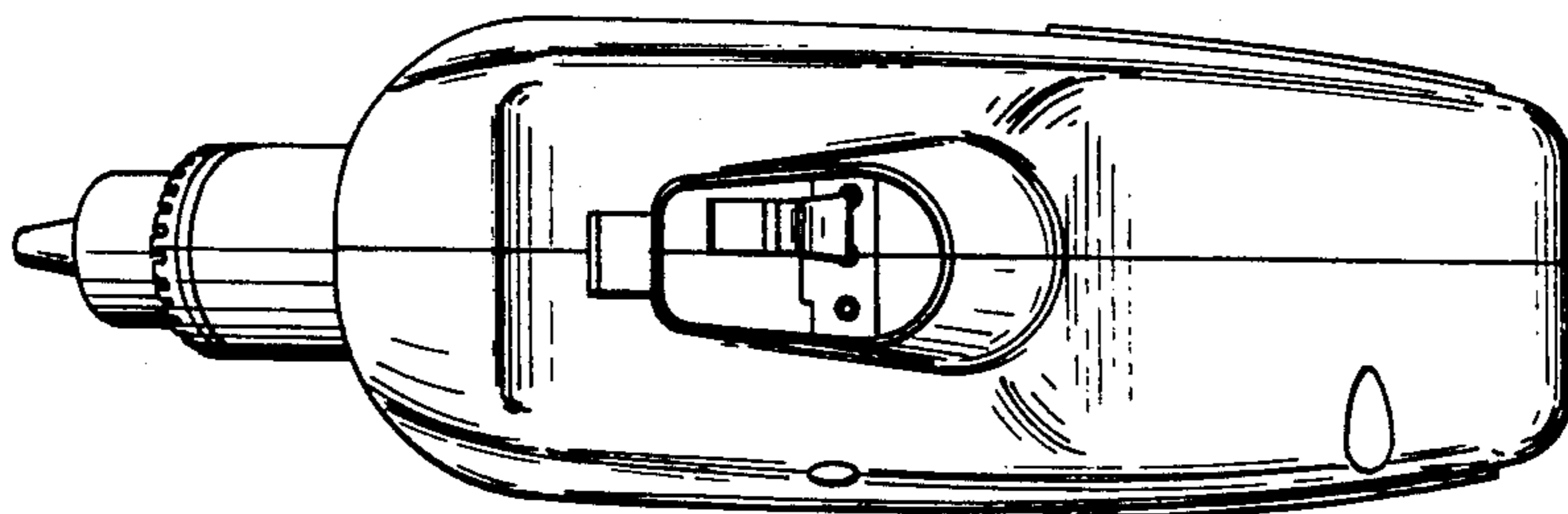


FIG. 3

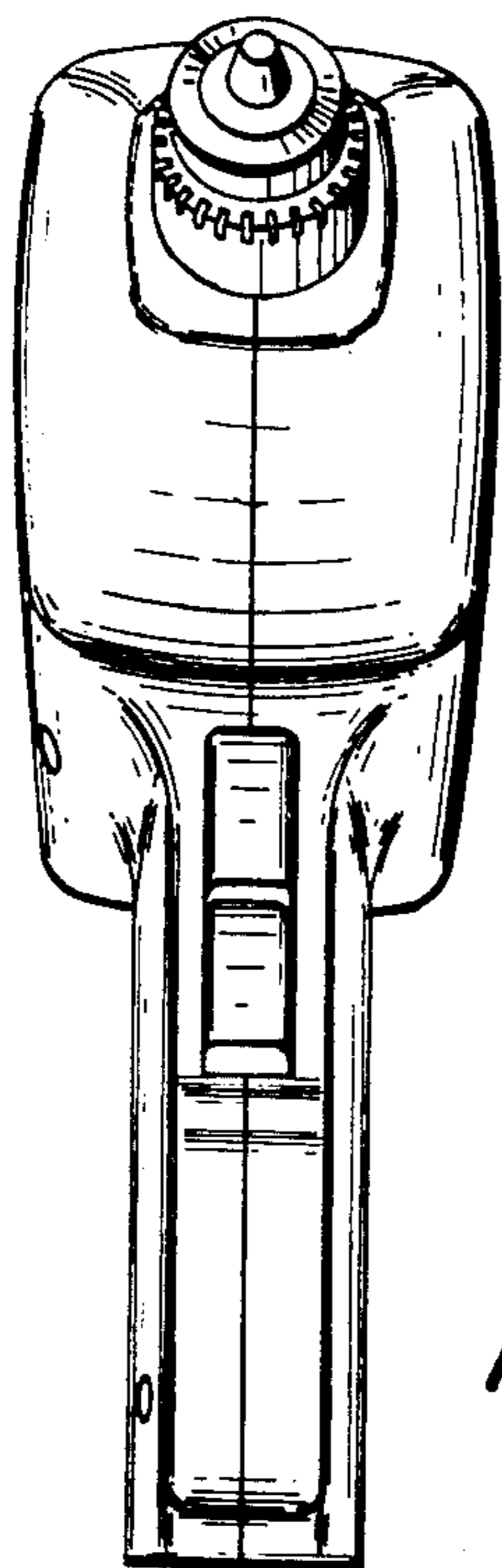


FIG. 4

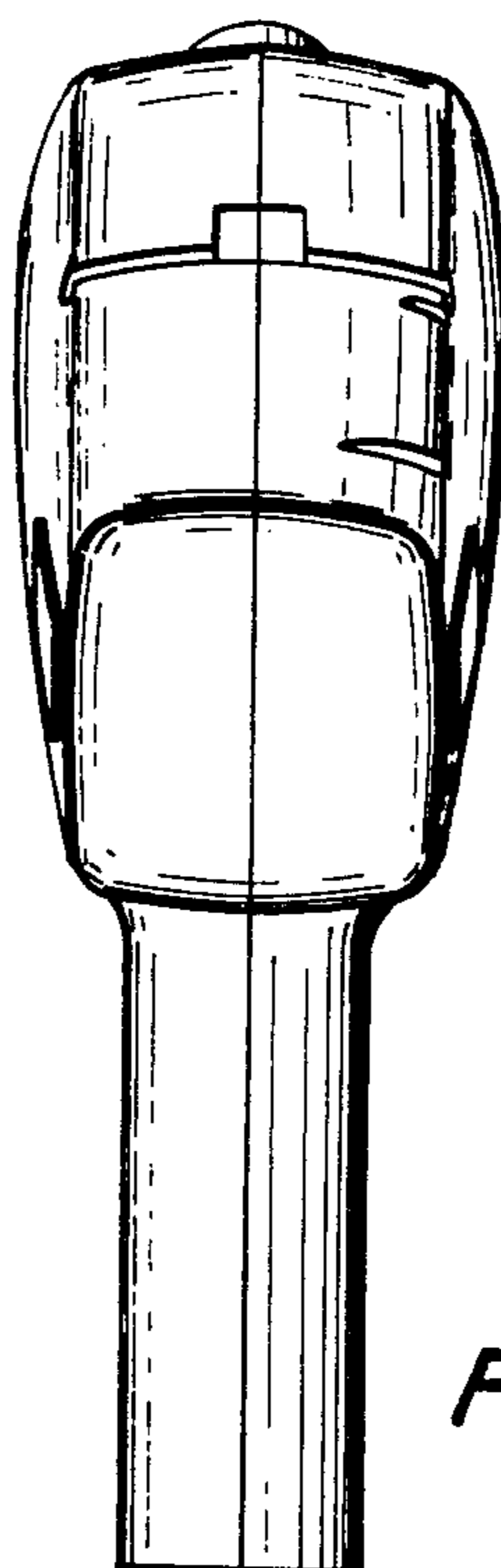


FIG. 5

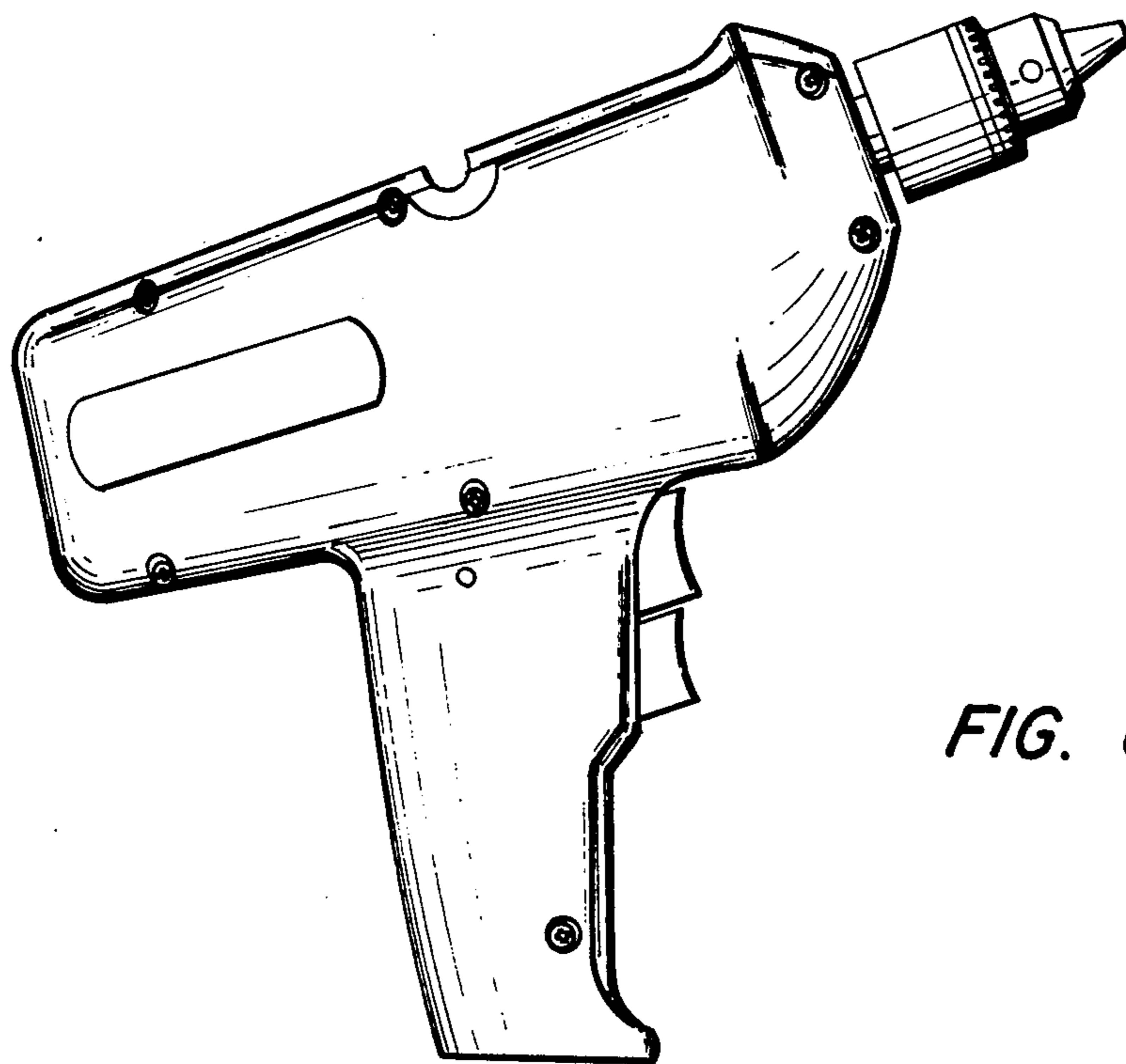


FIG. 6