

[54] HANDLE FOR A CORDLESS ELECTRIC LAWN EDGER, TRIMMER OR SIMILAR ARTICLE

[75] Inventor: Edward A. Irelan, Columbia, Mo.

[73] Assignee: McGraw-Edison Company, Rolling Meadows, Ill.

[**] Term: 14 Years

[21] Appl. No.: 898,405

[22] Filed: Apr. 20, 1978

[51] Int. Cl. D8-03

[52] U.S. Cl. D8/08; D7/139

[58] Field of Search D8/61-70, D8/94-97; D15/12; 30/276, 644, 347, 216, 382, DIG. 1, DIG. 5, 210; 16/111 A, 110 R; 56/12.7, 233, 17.4; D7/139, 158, 159

[56] References Cited

U.S. PATENT DOCUMENTS

D. 233,820 12/1974 Bartasevich et al. D8/8

D. 234,018 12/1974 De Brey D8/8
D. 234,289 11/1975 Haynes D8/8
D. 250,450 12/1978 Tiedemann D8/8
3,759,020 9/1973 Simmons 30/276
3,831,278 8/1974 Voglesanger 30/276
4,089,114 5/1978 Doolittle et al. 30/DIG. 1

Primary Examiner—Bernard Ansher
Attorney, Agent, or Firm—Jon Carl Gealow

[57] CLAIM

The ornamental design for a handle for a cordless electric lawn edger, trimmer or similar article, substantially as shown and described.

DESCRIPTION

FIG. 1 is a front perspective view of a lawn edger, trimmer or similar article showing my new design; FIG. 2 is a side elevation thereof; FIG. 3 is a top plan thereof; FIG. 4 is a bottom plan thereof; FIG. 5 is a front elevation thereof; FIG. 6 is a rear elevation thereof. The broken lines are shown for illustrative purposes only.

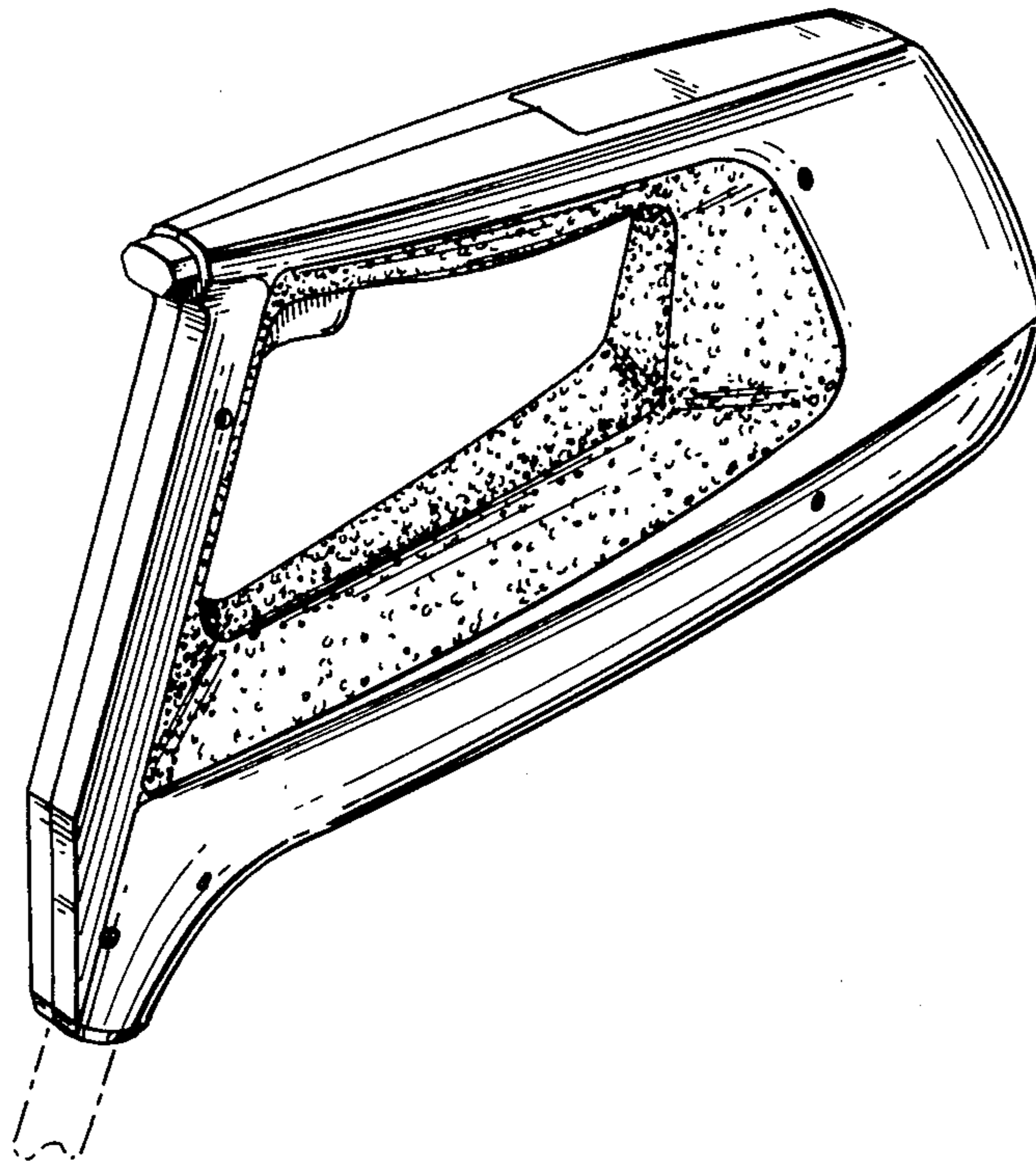


FIG. 1

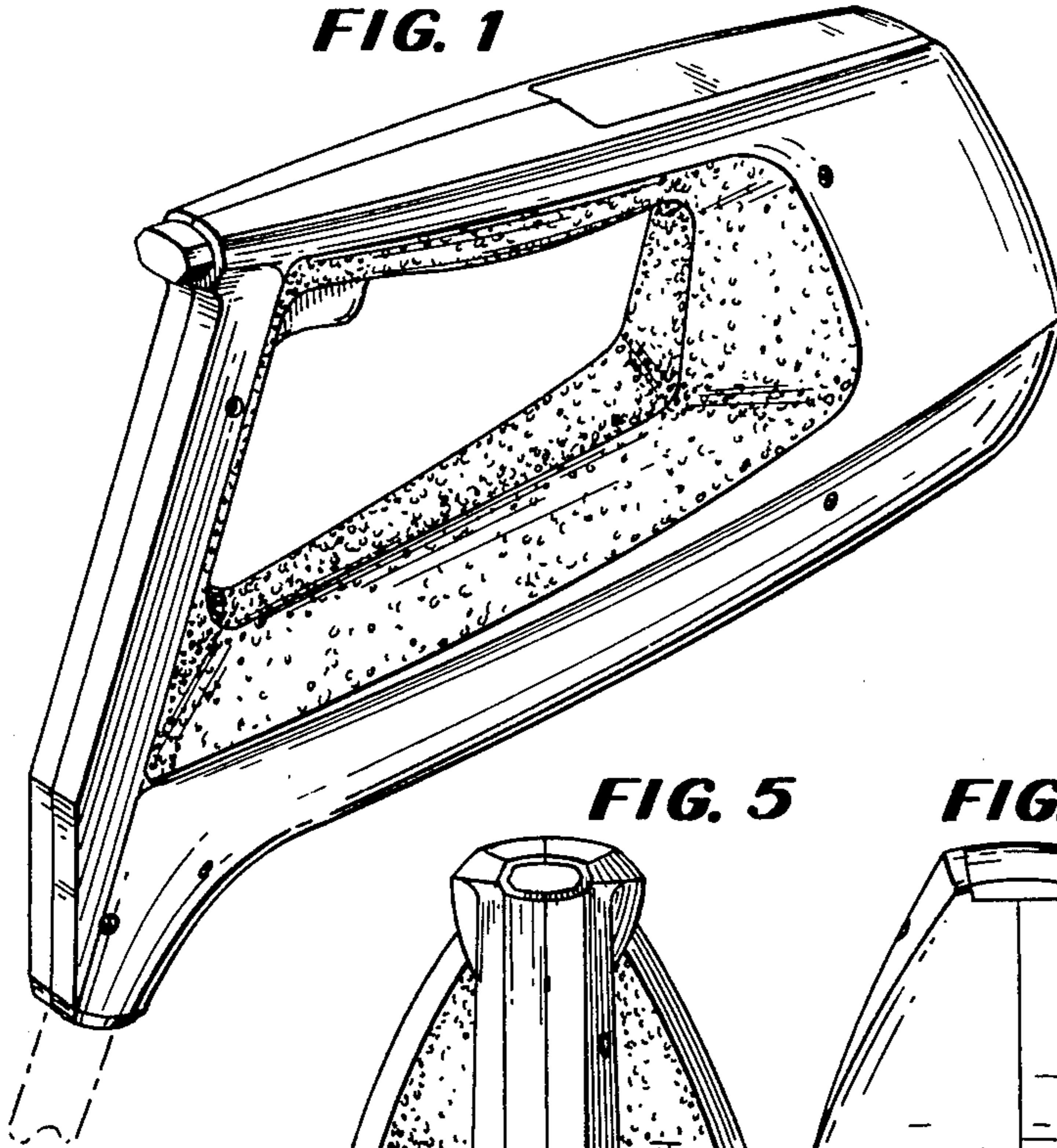


FIG. 3

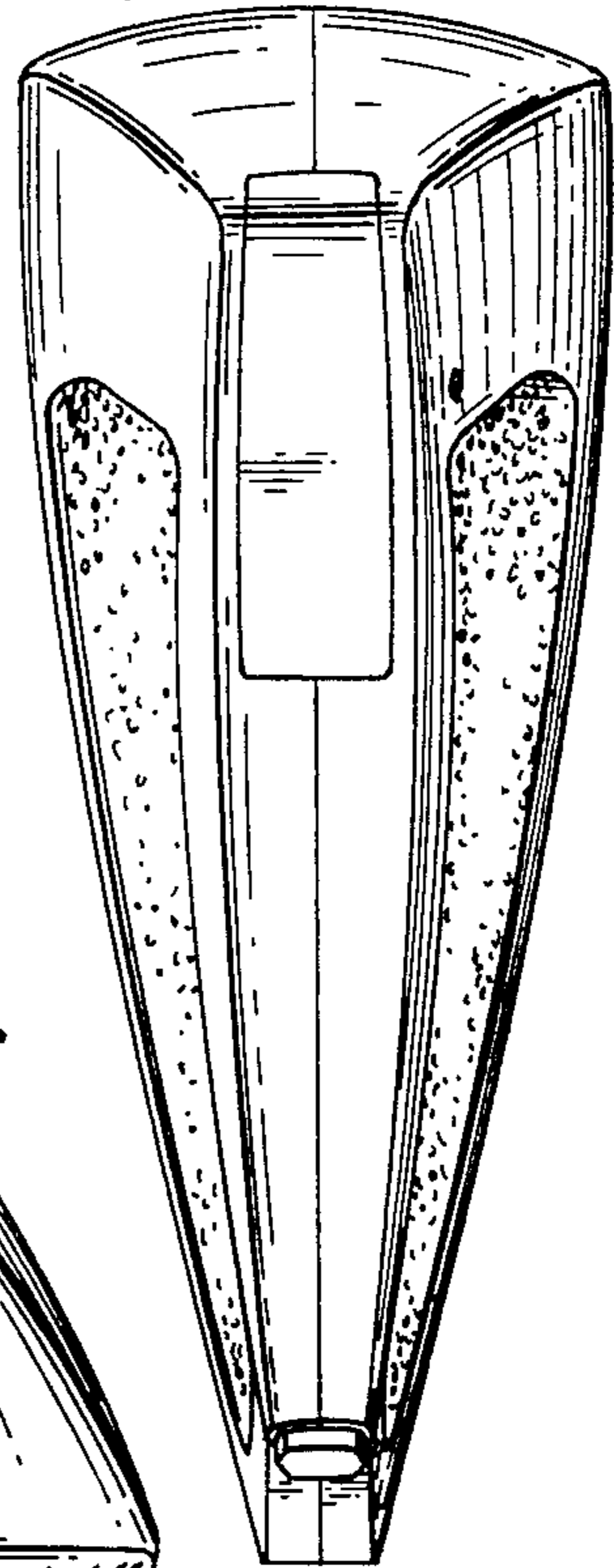


FIG. 5

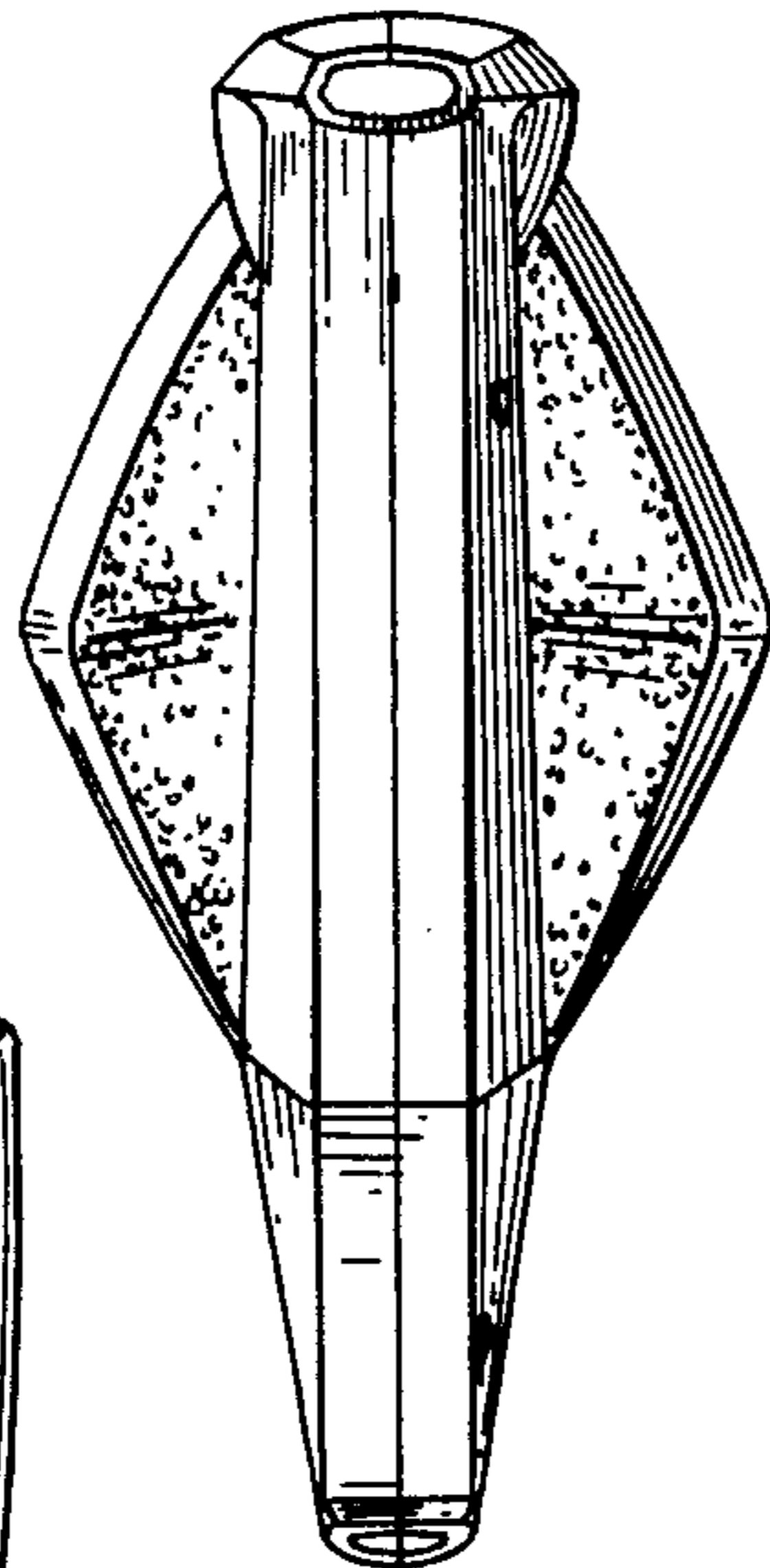


FIG. 6

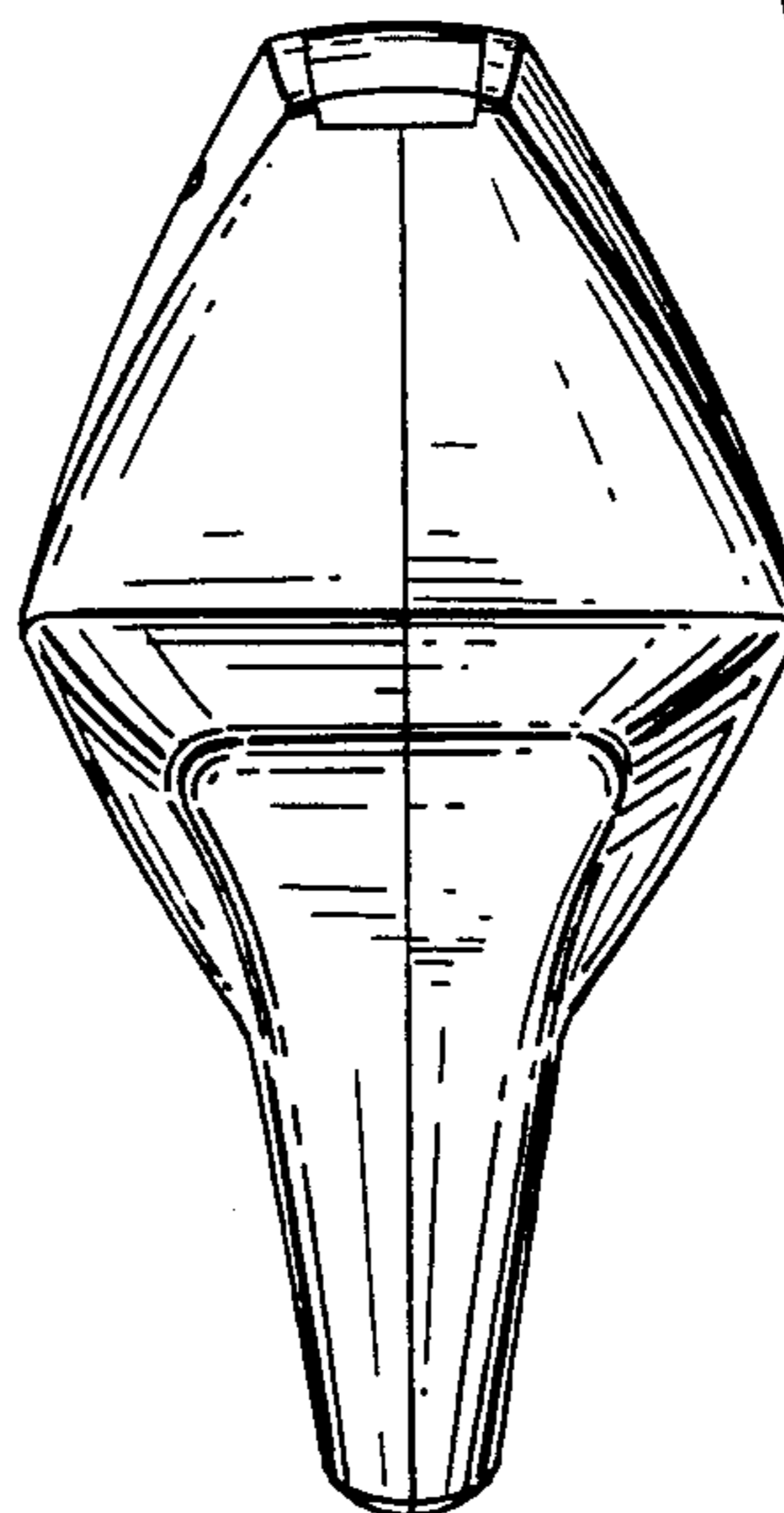


FIG. 4

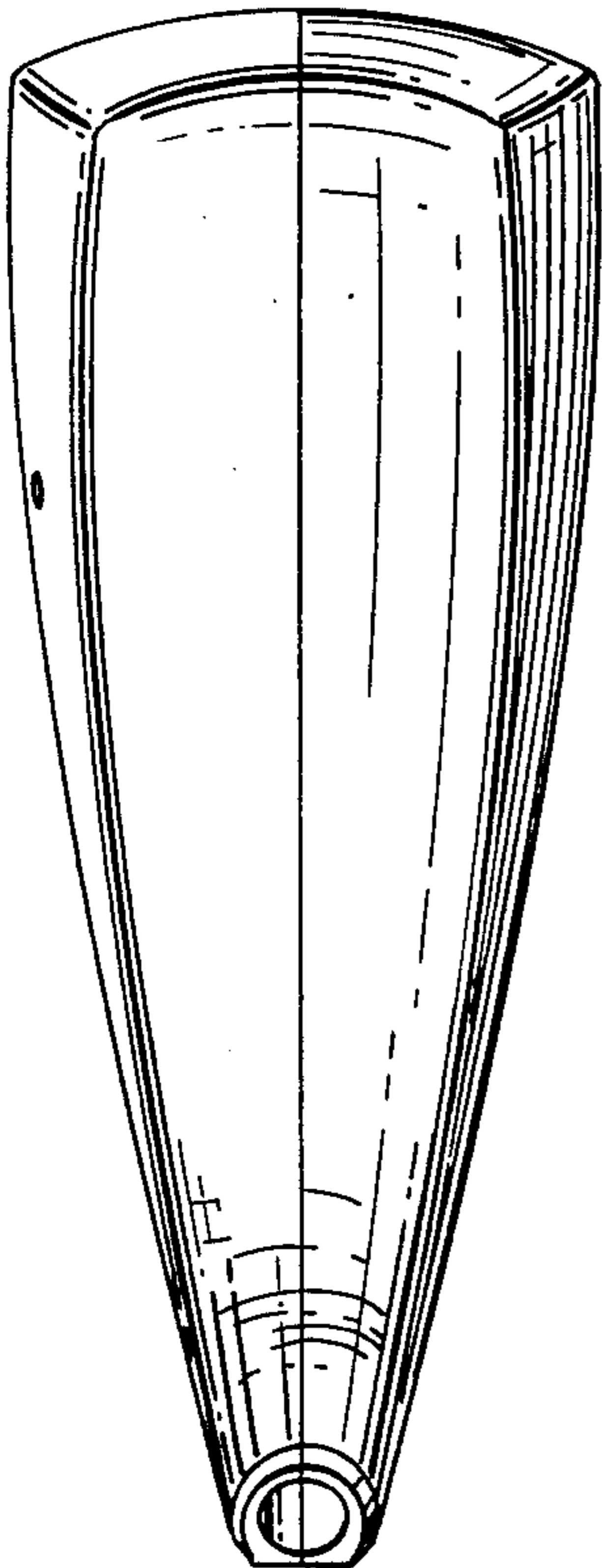


FIG. 2

