

[54] FOOD PROCESSOR OR SIMILAR ARTICLE

[75] Inventor: Jacques H. J. Amiot, Alencon, France

[73] Assignee: Moulinex Societe Anonyme, Bagnolet, France

[**] Term: 7 Years

[21] Appl. No.: 948,763

[22] Filed: Oct. 3, 1978

[30] Foreign Application Priority Data

Apr. 25, 1978 [FR] France 78 41313

[51] Int. Cl. D07-04

[52] U.S. Cl. D7/153; D7/154

[58] Field of Search D7/153, 154, 155, 156, D7/157, 158, 159, 160, 48, 49; D15/95, 96, 97, 98, 99; 74/16; 83/165; 241/37.5, 92, 282.1, 282.2; 366/314

[56] References Cited

U.S. PATENT DOCUMENTS

D. 226,345	2/1973	Greubel	D7/49
D. 241,404	9/1976	Mantelet	D7/153
D. 251,407	3/1979	Tsuji et al.	D7/153
3,032,087	5/1962	Rodwick	241/92
3,892,365	7/1975	Verdun	241/37.5 X
4,095,751	6/1978	Artin	D7/153 X

Primary Examiner—Winifred E. Herrmann
Attorney, Agent, or Firm—Irvin S. Thompson

[57] CLAIM

The ornamental design for a food processor or similar article, as shown.

DESCRIPTION

FIG. 1 is a perspective view of a food processor or similar article showing my new design; FIG. 2 is a right side elevational view thereof; FIG. 3 is a left side elevational view thereof; FIG. 4 is a front elevational view thereof; FIG. 5 is a rear elevation view thereof; FIG. 6 is a bottom plan view thereof; and FIG. 7 is a top plan view thereof.

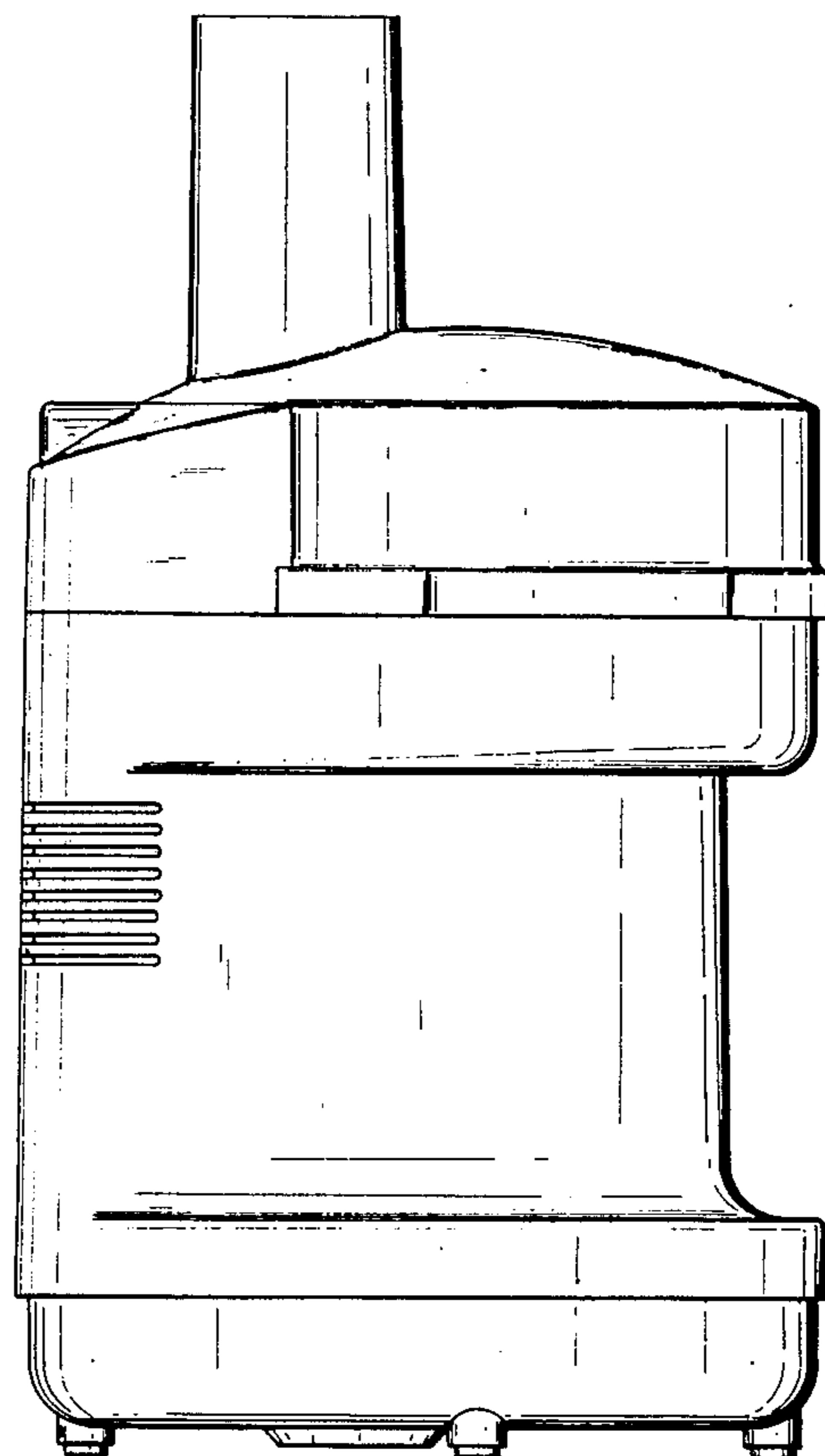
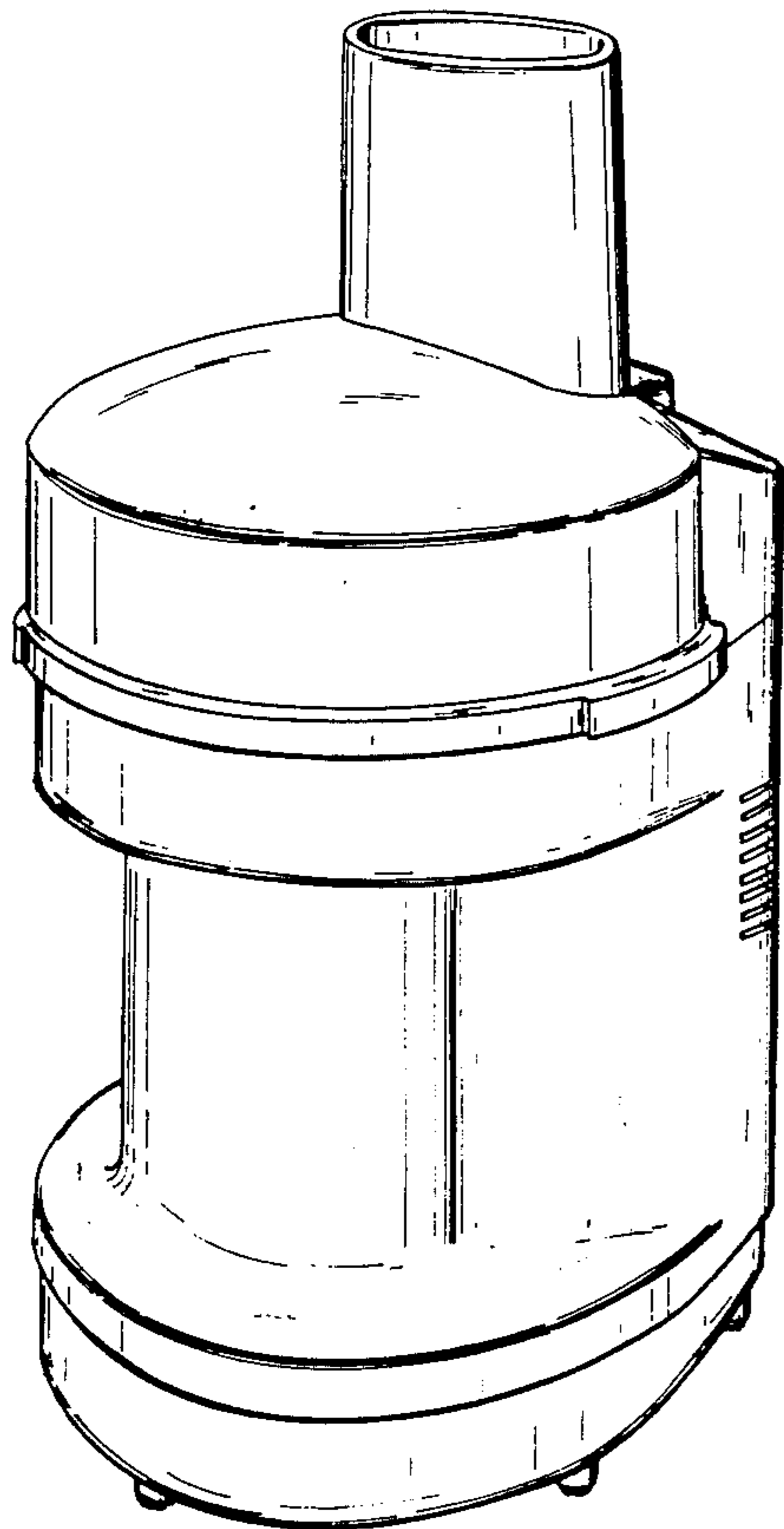


Fig 1

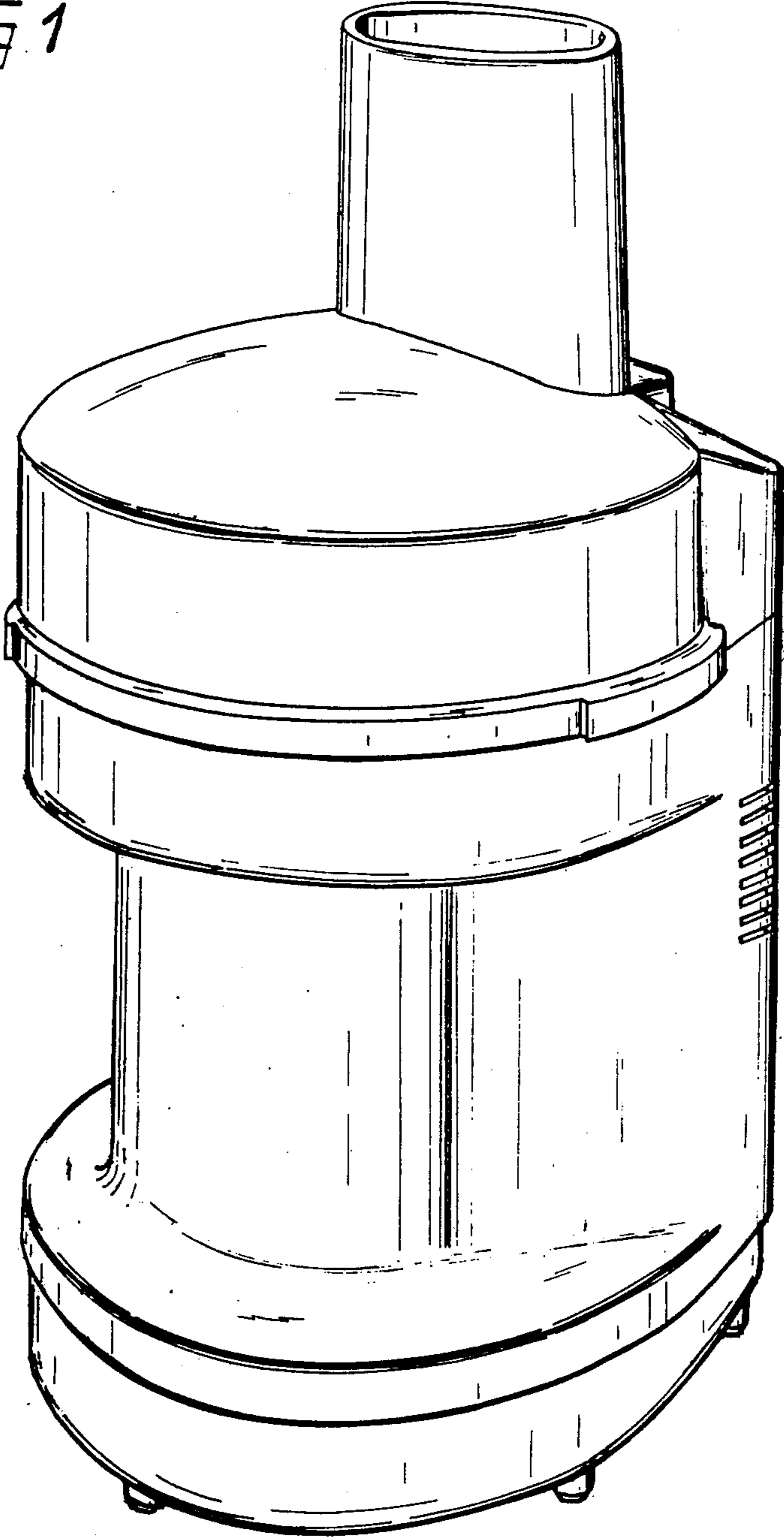


FIG 2

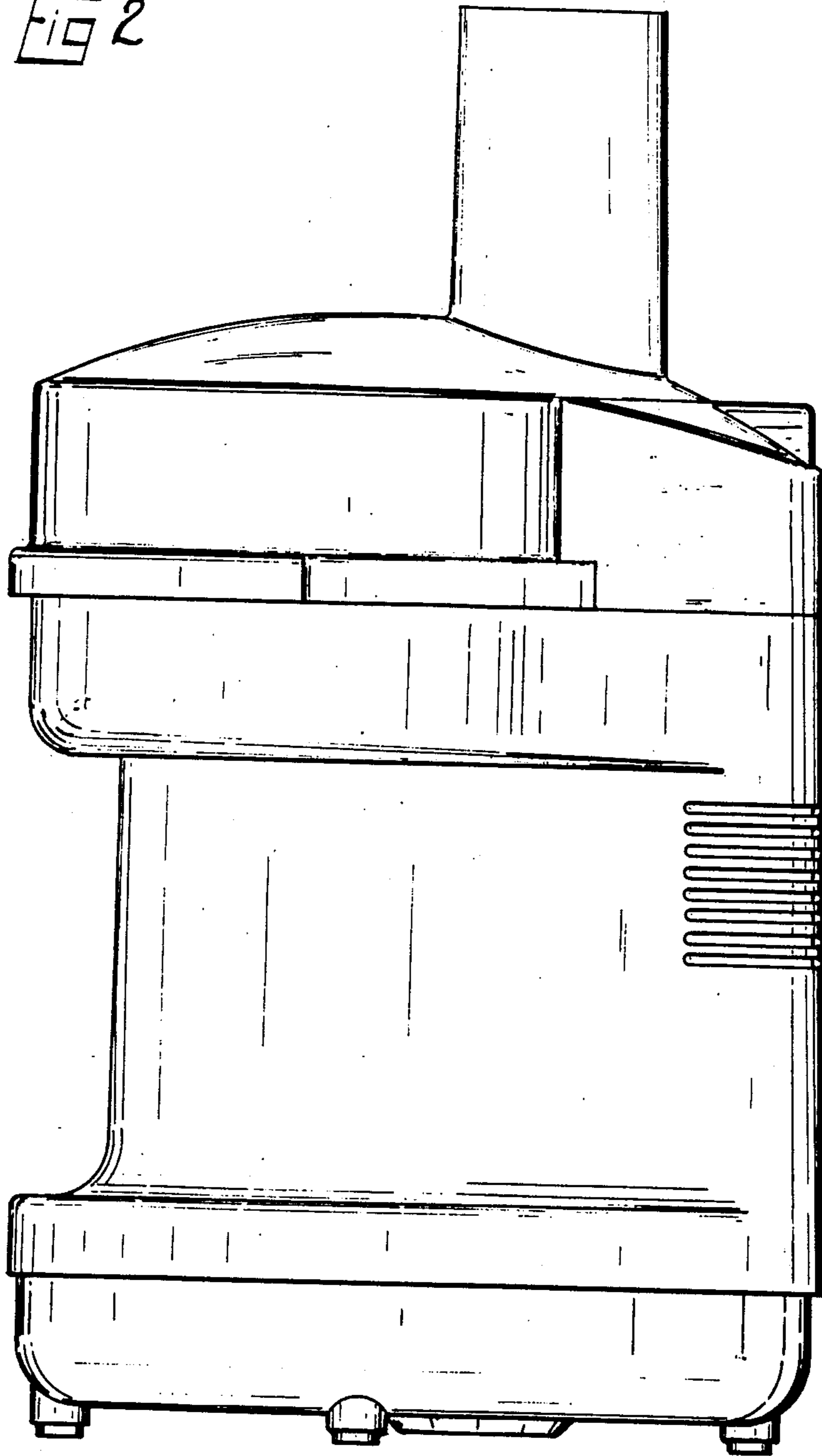


FIG 3

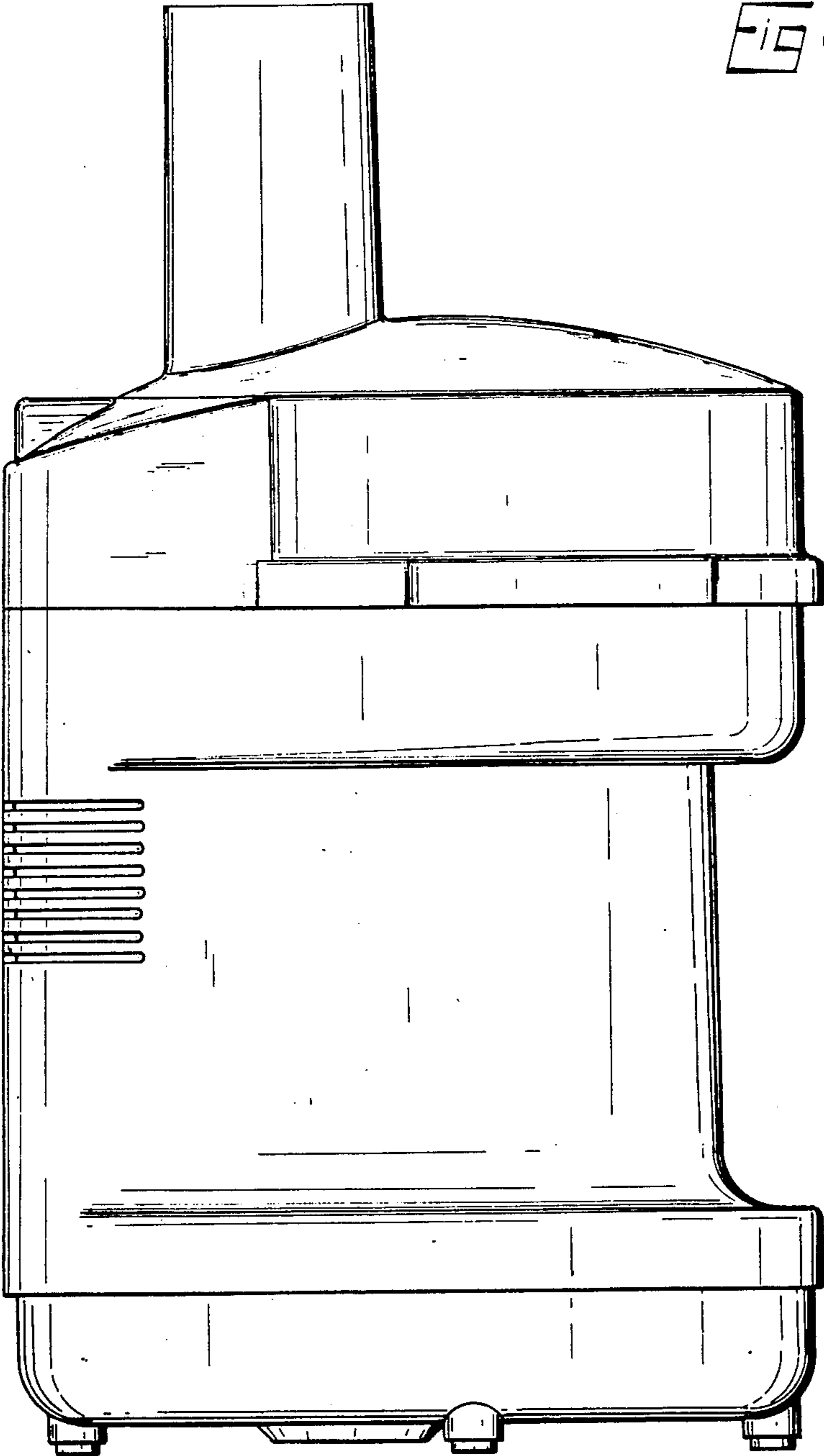


Fig 4

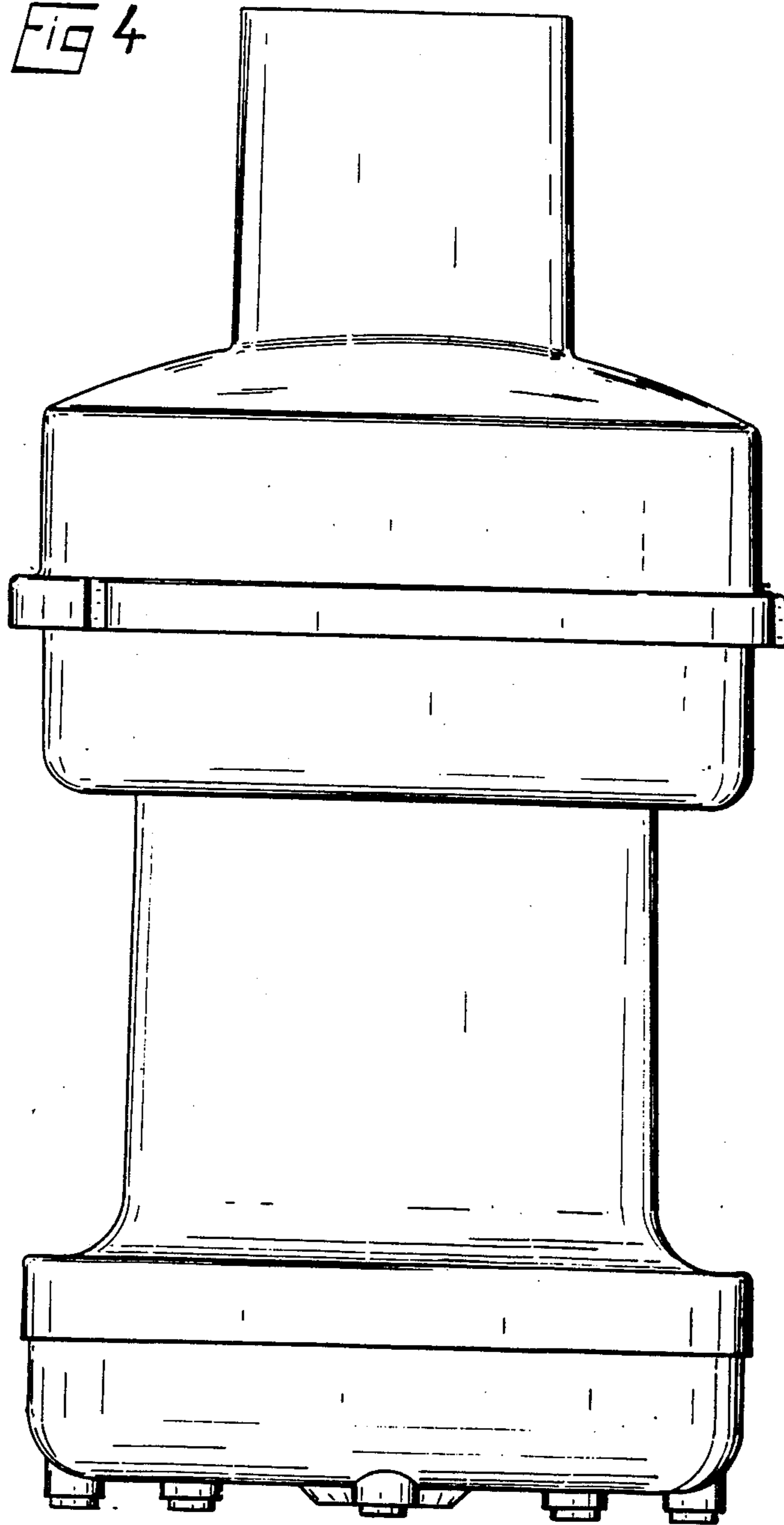


FIG 5

