

[54] TABLE GRILL

[76] Inventor: Michel de la Bruyere Vincent, c/o
Arreso Form Aps, 5, Havnevej,
DK-3300 Frederiksvaerk, Denmark

[**] Term: 14 Years

[21] Appl. No.: 928,004

[22] Filed: Jul. 26, 1978

[30] Foreign Application Priority Data

Jan. 27, 1978 [DK] Denmark 92/78

[51] Int. Cl. D7-02; D6-03

[52] U.S. Cl. D7/107; D6/146

[58] Field of Search D7/107, 108, 109, 110;
D6/146, 149; 126/25 R, 25 A, 25 AA, 25 B, 25
C, 29, 30, 9 R, 9 A, 9 B, 33, 37 R, 37 A, 37 B;
99/447, 448, 449, 450; 108/11, 13, 38, 50

[56] References Cited

U.S. PATENT DOCUMENTS

D. 131,939 4/1942 Robinson D7/107
D. 222,310 10/1971 Zaunbrecher D7/107
D. 225,711 1/1973 Duern et al. D6/146
D. 246,687 12/1977 Selva D7/107
540,178 5/1895 Merceret 108/50 X

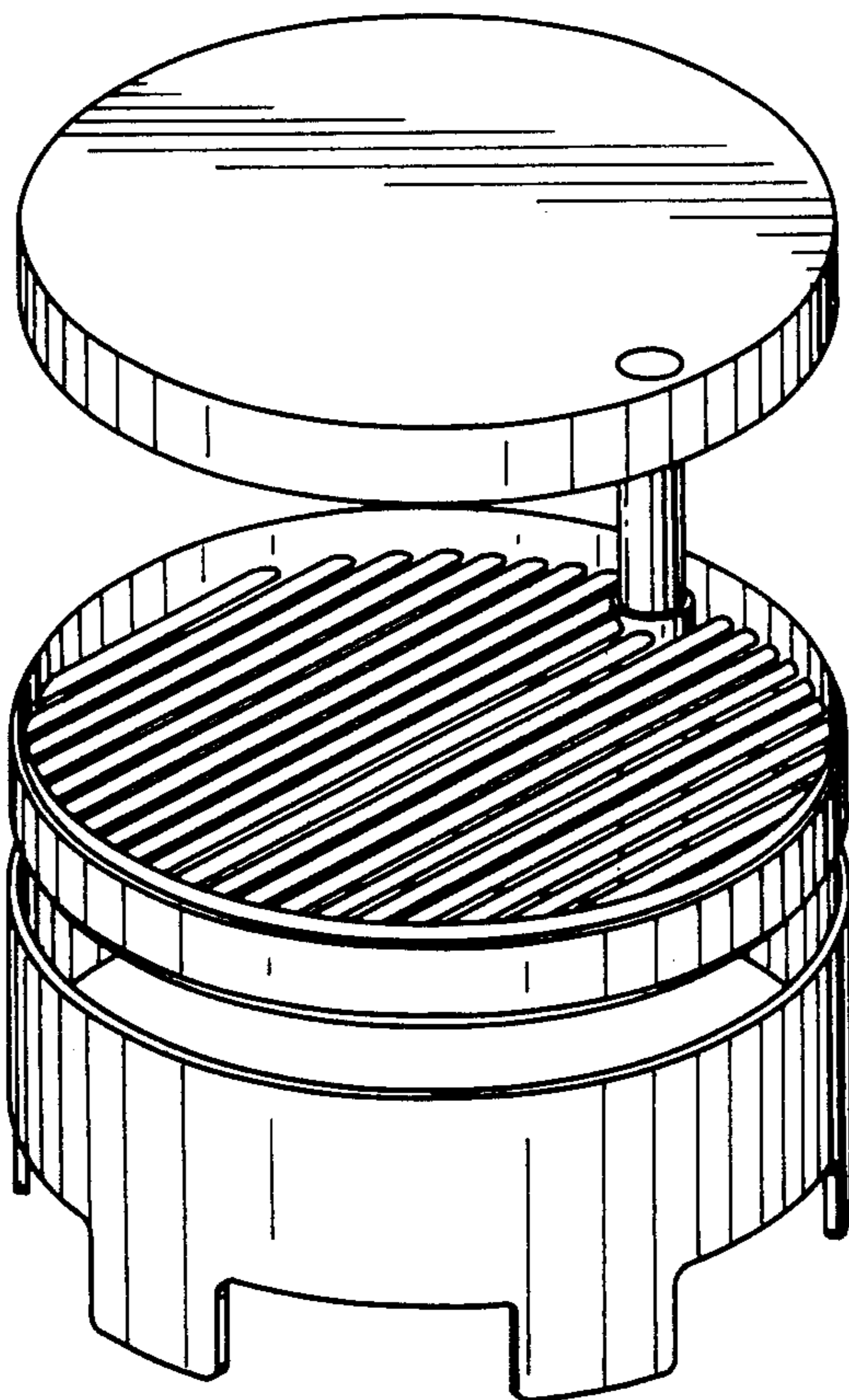
Primary Examiner—Catherine E. Kemper
Attorney, Agent, or Firm—Robert Osann

[57] CLAIM

The ornamental design for table grill, as shown and described.

DESCRIPTION

FIG. 1 is a perspective view of a table grill showing my new design and shown as it appears when opened; and, FIG. 2 is a front elevational view thereof; and, FIG. 3 is a front elevational view of the table grill shown as it appears when closed; and, FIG. 4 is a bottom plan view thereof; and, FIG. 5 is a top plan view thereof.



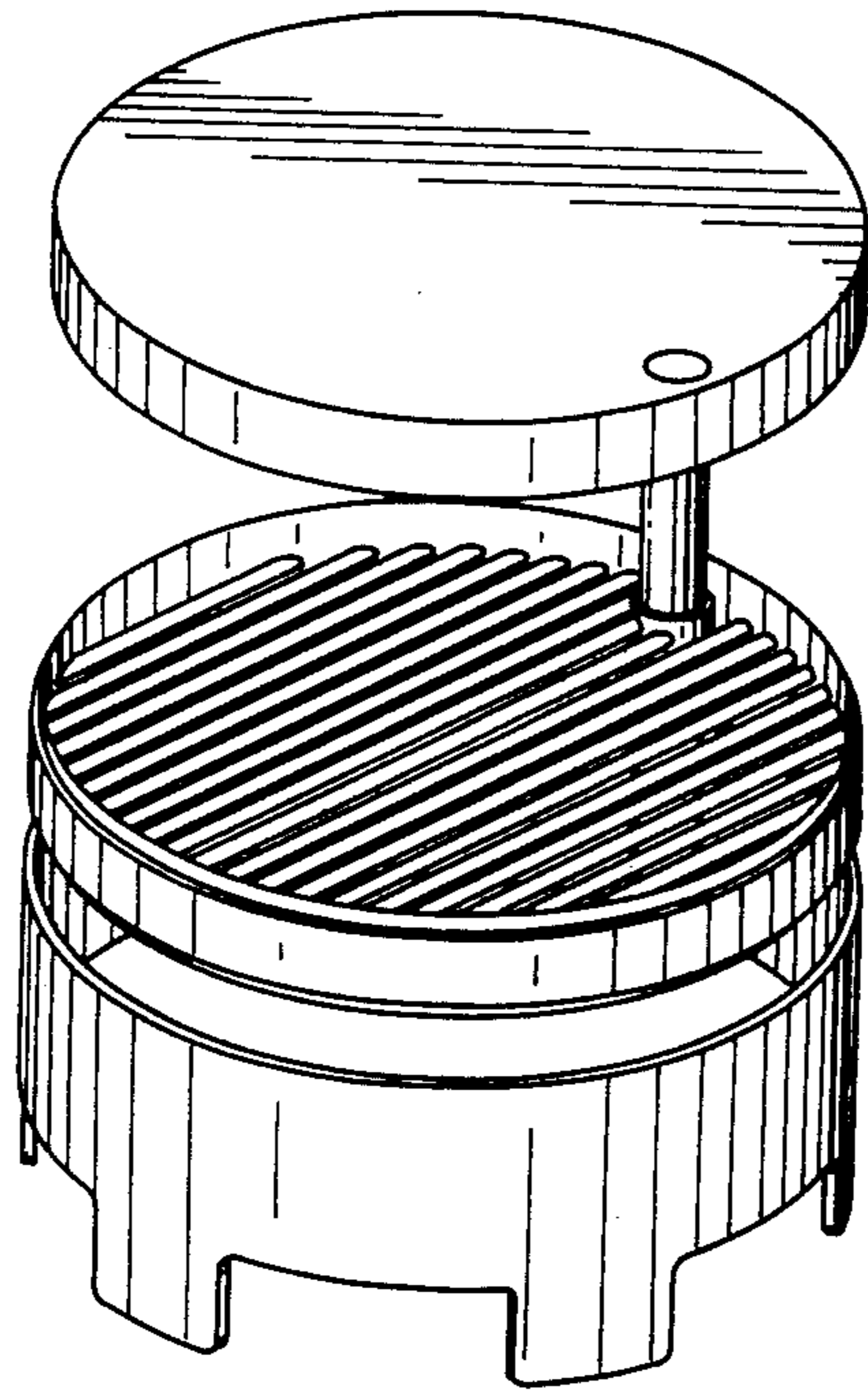


FIG. 1

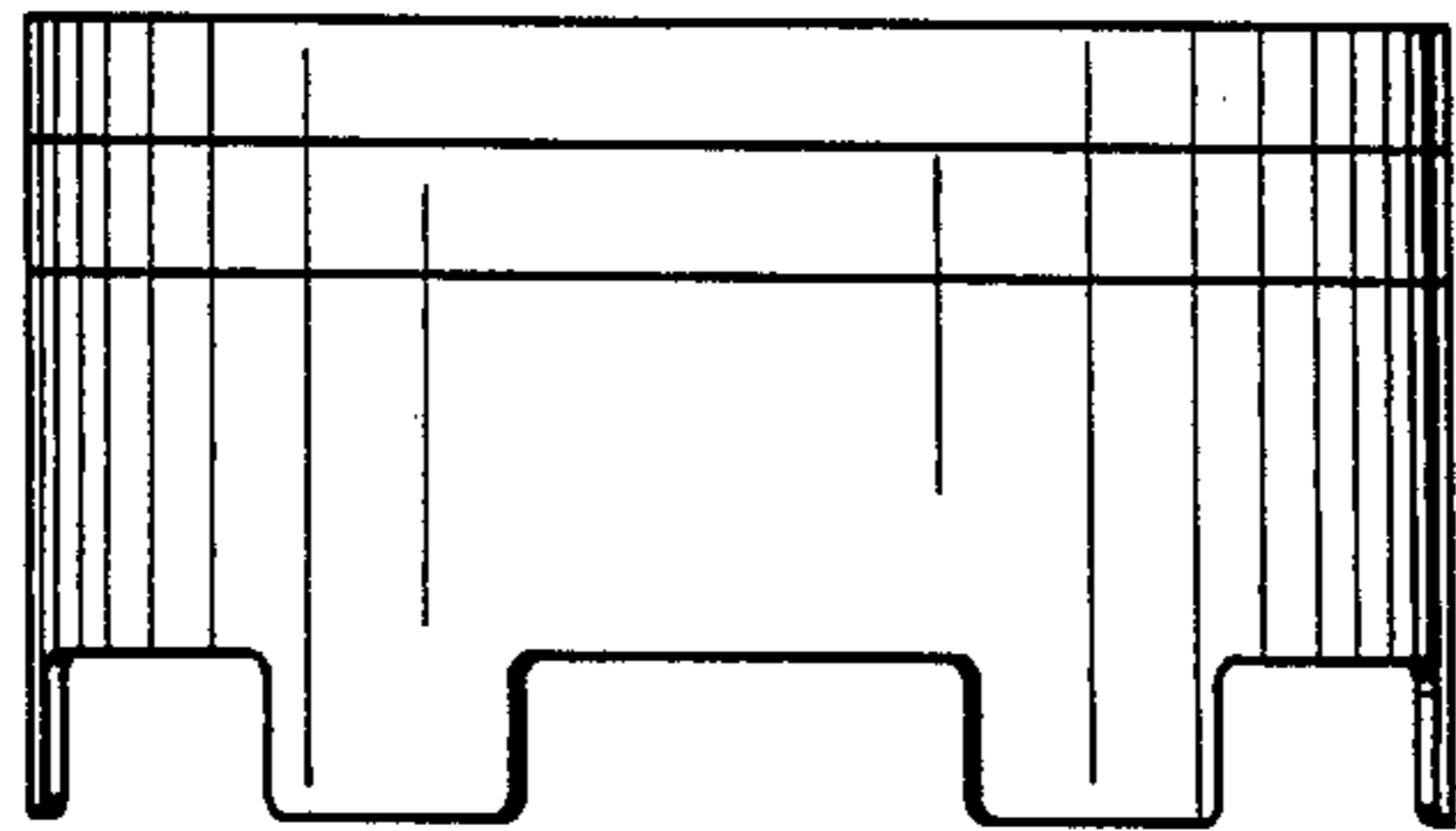


FIG. 3

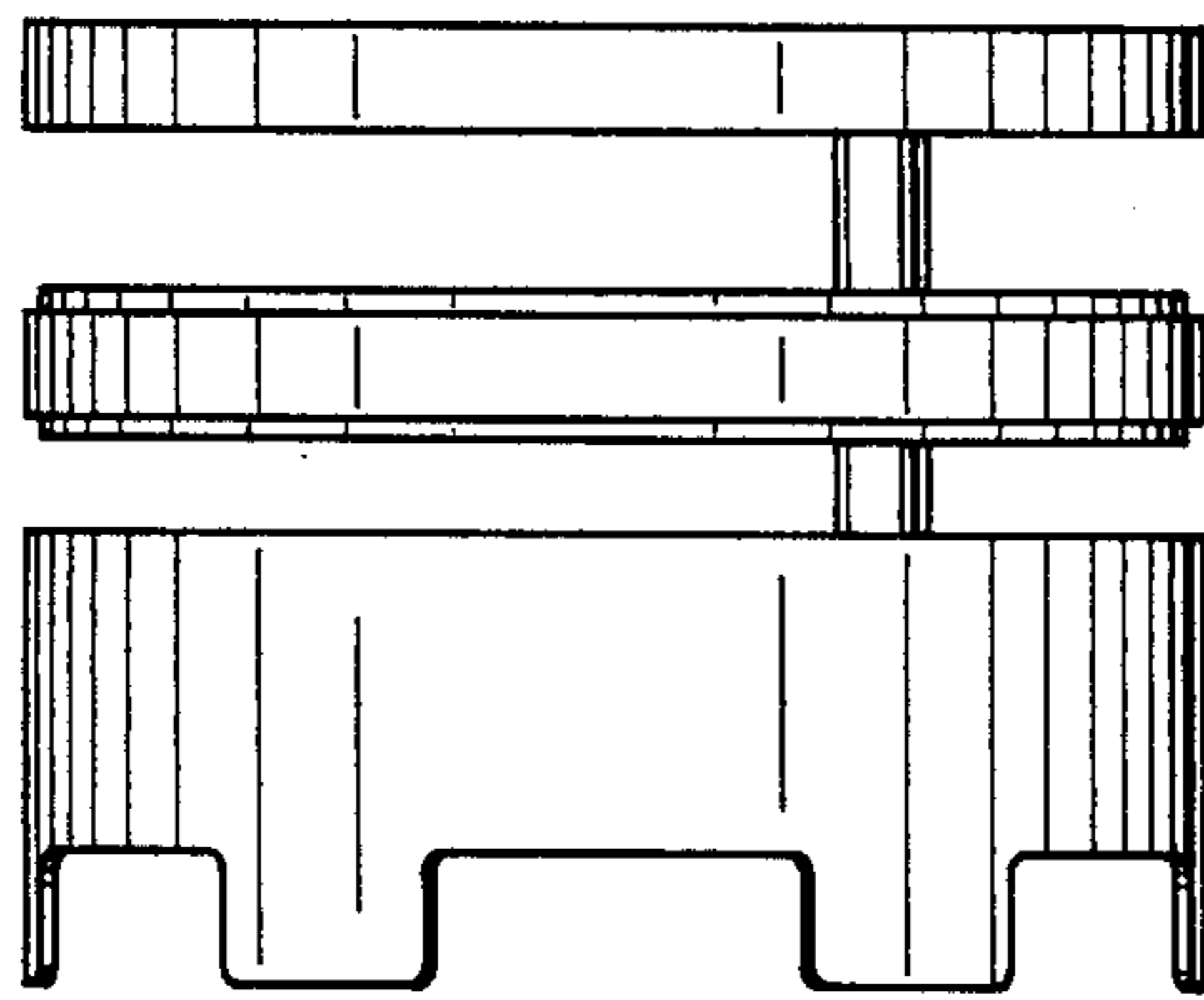


FIG. 2

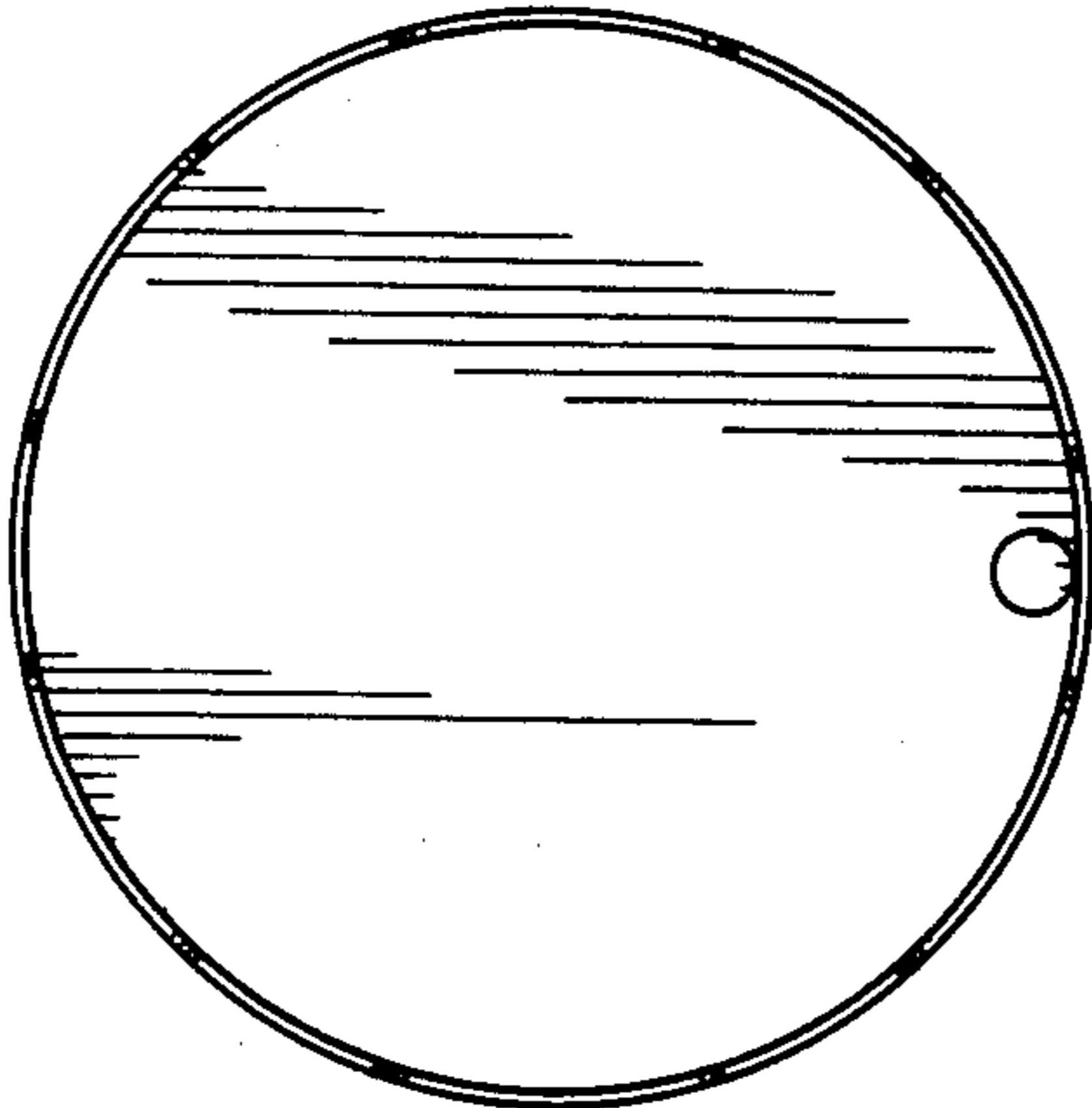


FIG. 4

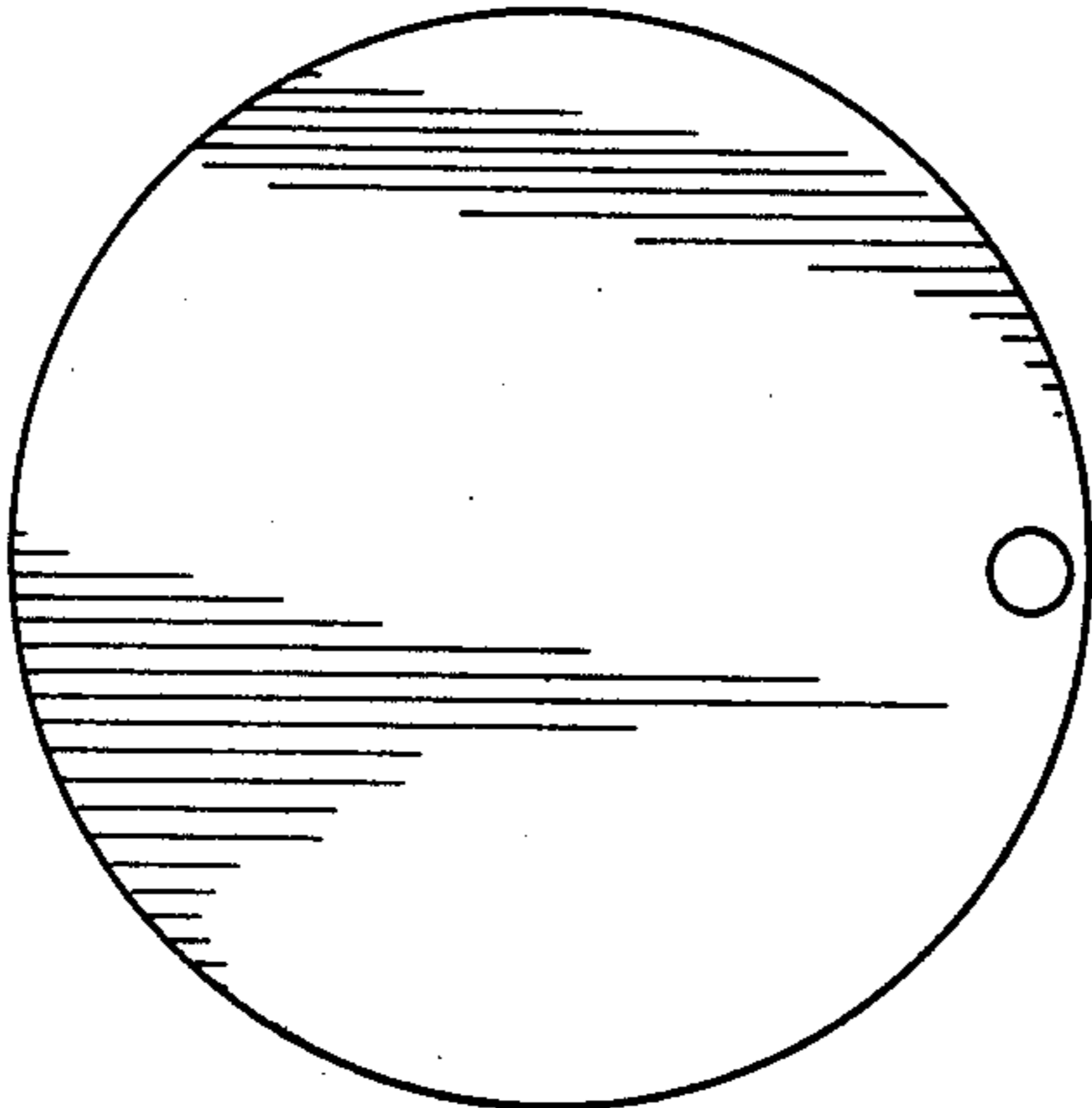


FIG. 5