

[54] FOOD WARMING CABINET

[75] Inventors: Eric C. Martin; Peter Ingledew, both of Cambridge, England

[73] Assignee: Pye (Electronic Products) Limited, Cambridge, England

[**] Term: 14 Years

[21] Appl. No.: 960,429

[22] Filed: Nov. 13, 1978

[30] Foreign Application Priority Data

May 15, 1978 [GB] United Kingdom 984601/78

[51] Int. Cl. D07-02

[52] U.S. Cl. D7/94

[58] Field of Search D7/85, 17, 20, 16, 87, D7/88, 90, 94, 95, 96, 97

[56]

References Cited

U.S. PATENT DOCUMENTS

D. 91,352	1/1934	Christman	D7/97
D. 221,096	7/1971	Tevolitz et al.	D7/94
D. 248,363	7/1978	Rinaldi	D7/94
3,195,532	7/1965	Tranberg	D7/97 X

OTHER PUBLICATIONS

Modern Plastics, Jan. 1963, p. 176, Cover on Foamed Styrene Sheet Food Container, bottom left.

Primary Examiner—Winifred E. Herrmann
Attorney, Agent, or Firm—Thomas A. Briody

[57]

CLAIM

The ornamental design for a food warming cabinet, as shown.

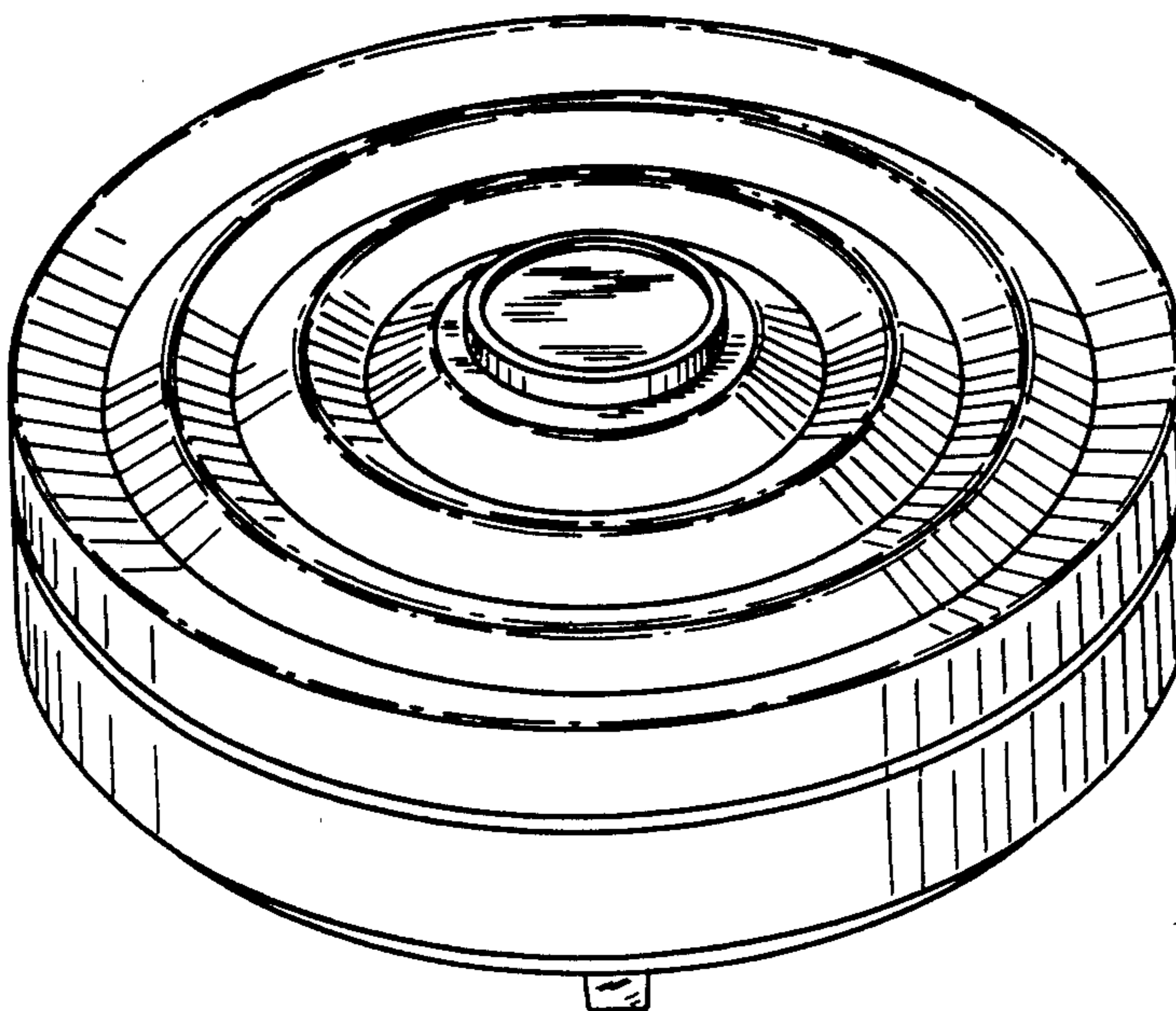
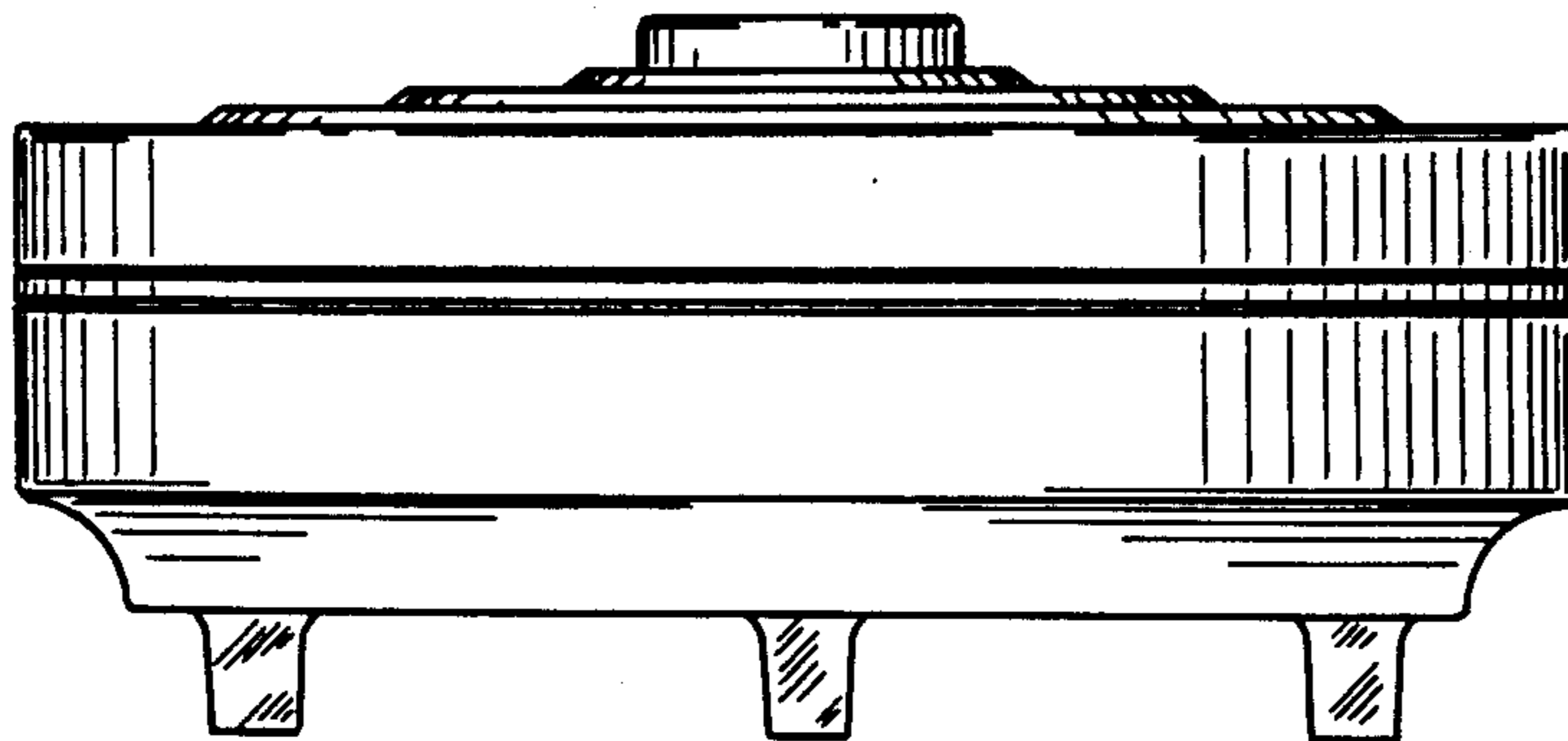
DESCRIPTION

FIG. 1 is a perspective view of a food warming cabinet, showing our new design;

FIG. 2 is a bottom plan view thereof;

FIG. 3 is a side elevational view thereof;

FIG. 4 is a top plan view thereof.



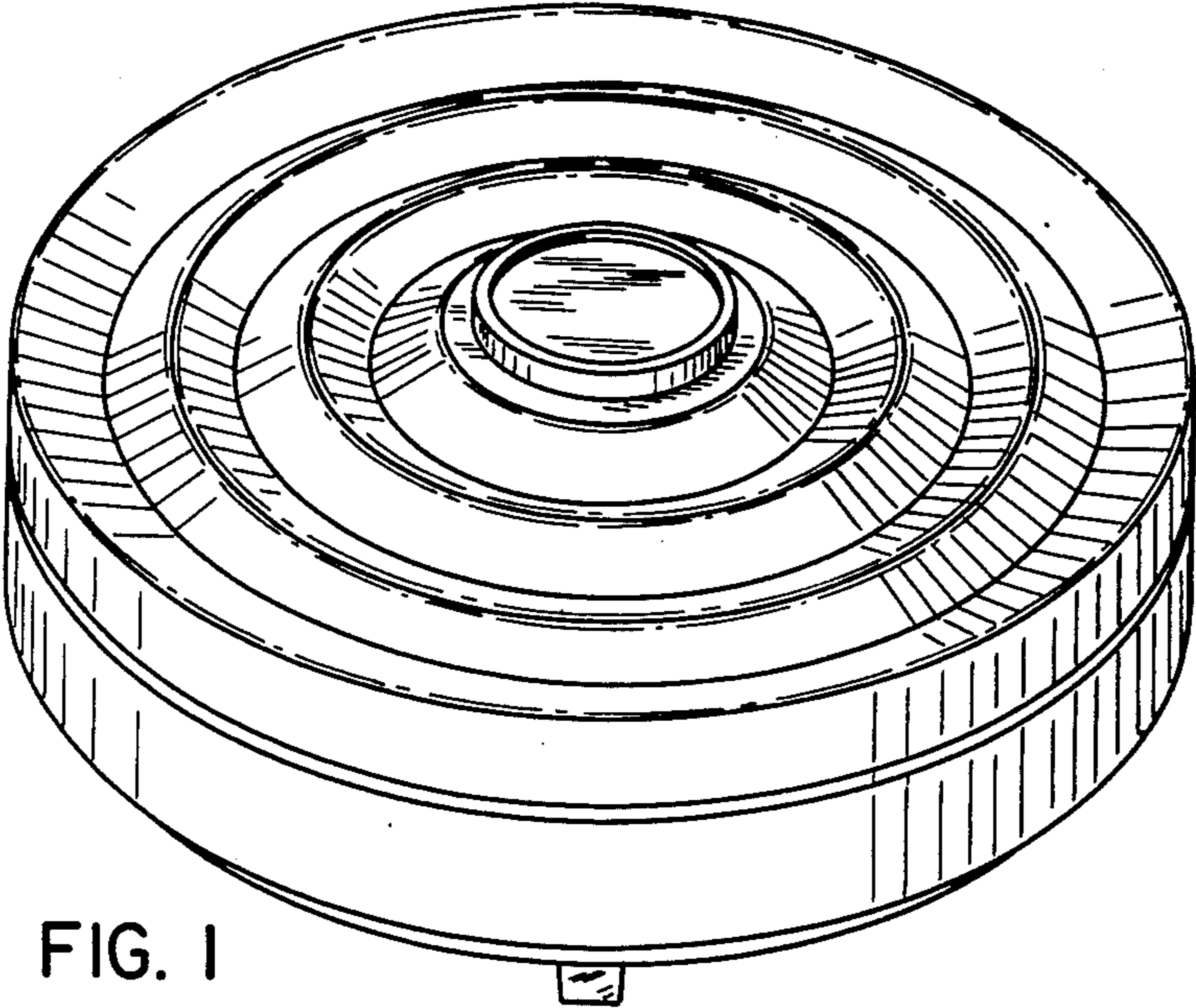


FIG. 1

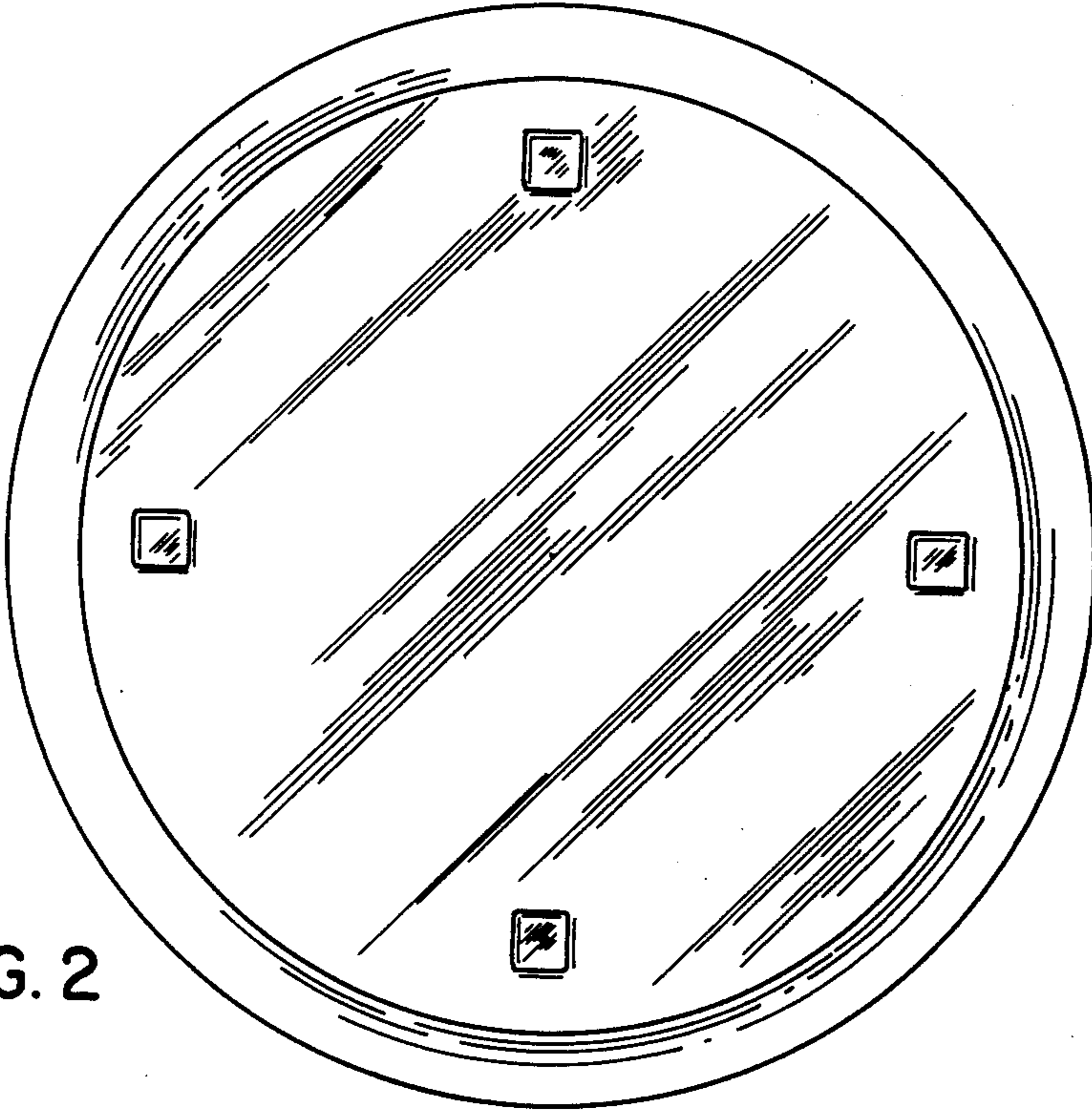


FIG. 2

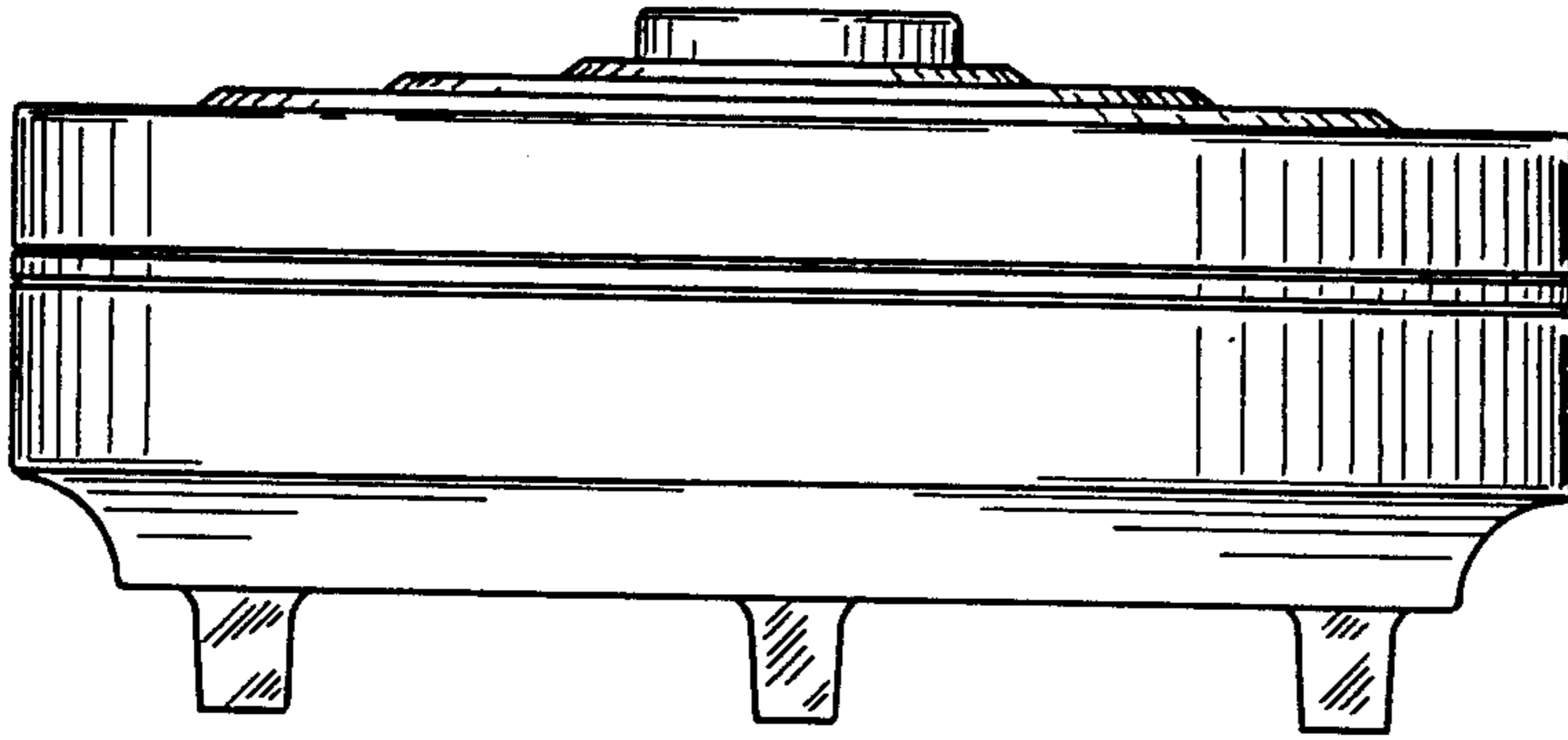


FIG. 3

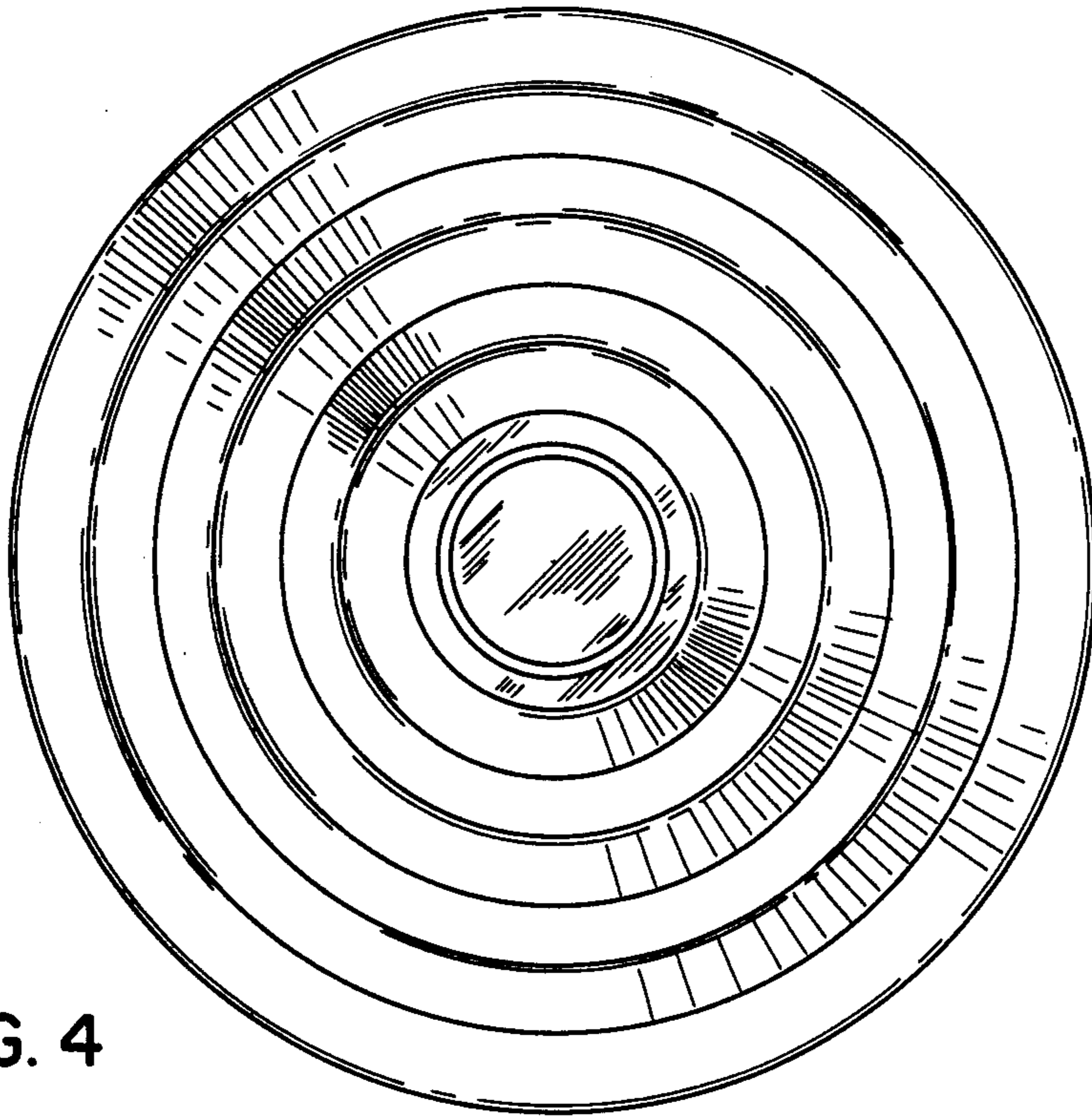


FIG. 4