

[54] **ELECTRIC COOKER FOR PIZZA OR THE LIKE**

D. 221,096 7/1971 Tevolitz et al. D7/94
D. 232,148 7/1974 Yarrington D7/94

[75] Inventor: **Joseph A. Rinaldi, Oradell, N.J.**

[73] Assignee: **Rival Manufacturing Company**

[**] Term: **14 Years**

[21] Appl. No.: **908,843**

[22] Filed: **May 23, 1978**

[51] Int. Cl. **D07-02**

[52] U.S. Cl. **D7/94; D7/97**

[58] Field of Search **D7/17, 20, 16, 85, 87, D7/88, 90, 94, 95, 96, 97**

[56] **References Cited**

U.S. PATENT DOCUMENTS

D. 39,694	12/1908	Swan	D7/90
D. 73,773	11/1927	Bersted et al.	D7/88
D. 88,156	11/1932	Knapp	D7/90
D. 176,063	11/1955	Collura	D7/97
D. 206,389	12/1966	Ernest	D7/94
D. 215,469	9/1969	Gulotta	D7/97

OTHER PUBLICATIONS

Figs Gifts, 1967 Cat., p. 25, Electric Casserole-Mirro, Gift No. 614.

Housewares, Jun. 1977, p. 7, Mirro "Watta Pizzaria," Electric Pizza Baker shown.

Primary Examiner—Winifred E. Herrmann
Attorney, Agent, or Firm—Claude W. Lowe

[57] **CLAIM**

The ornamental design for an electric cooker for pizza or the like, as shown.

DESCRIPTION

FIG. 1 is a top perspective view of an electric cooker for pizza or the like showing my new design; FIG. 2 is a front elevational view thereof; FIG. 3 is a top plan view thereof; FIG. 4 is a side elevational view thereof; FIG. 5 is a rear elevational view thereof; and FIG. 6 is a bottom plan view thereof.

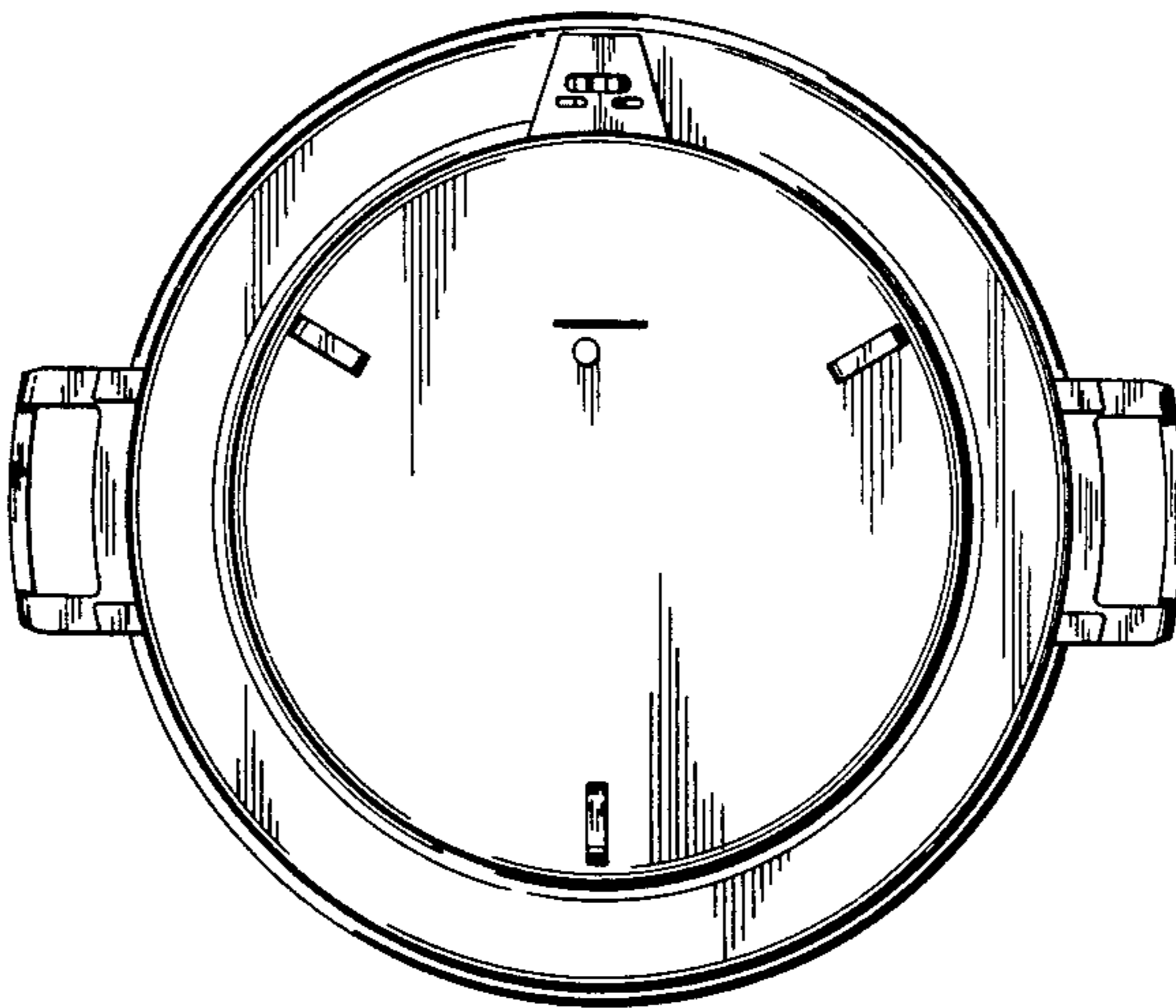
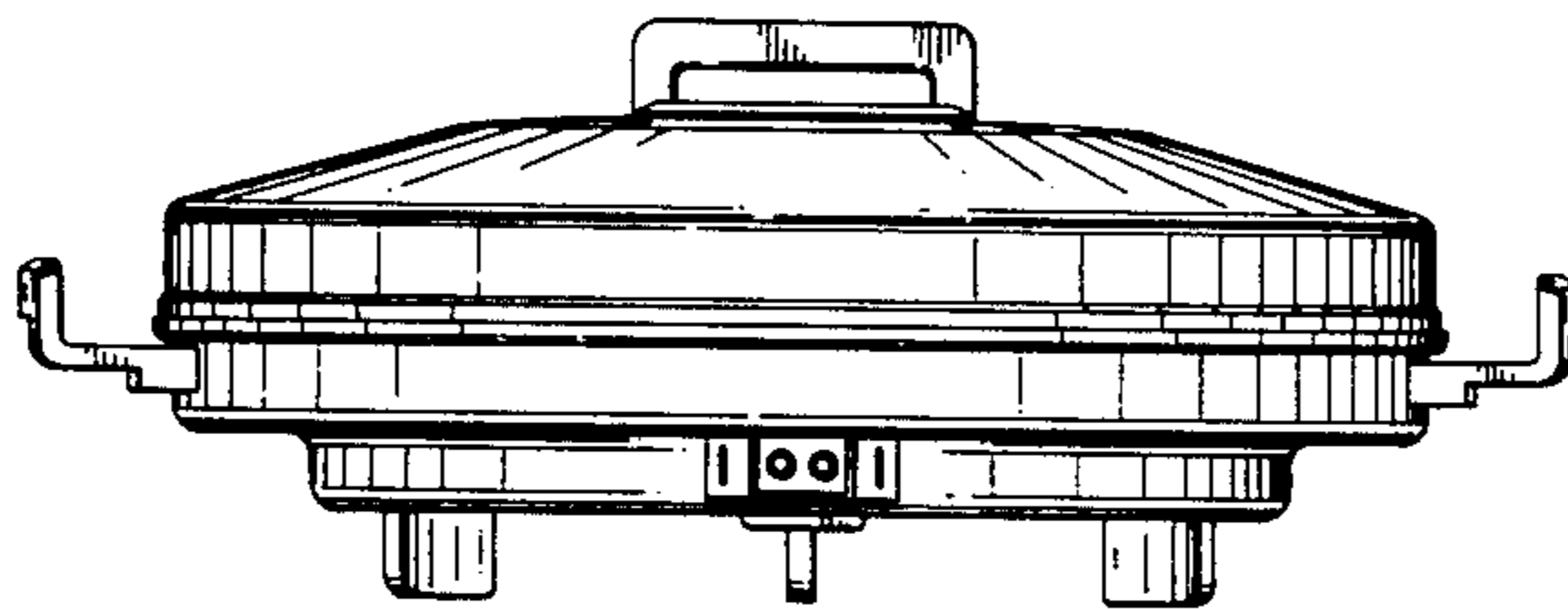


Fig. 1.

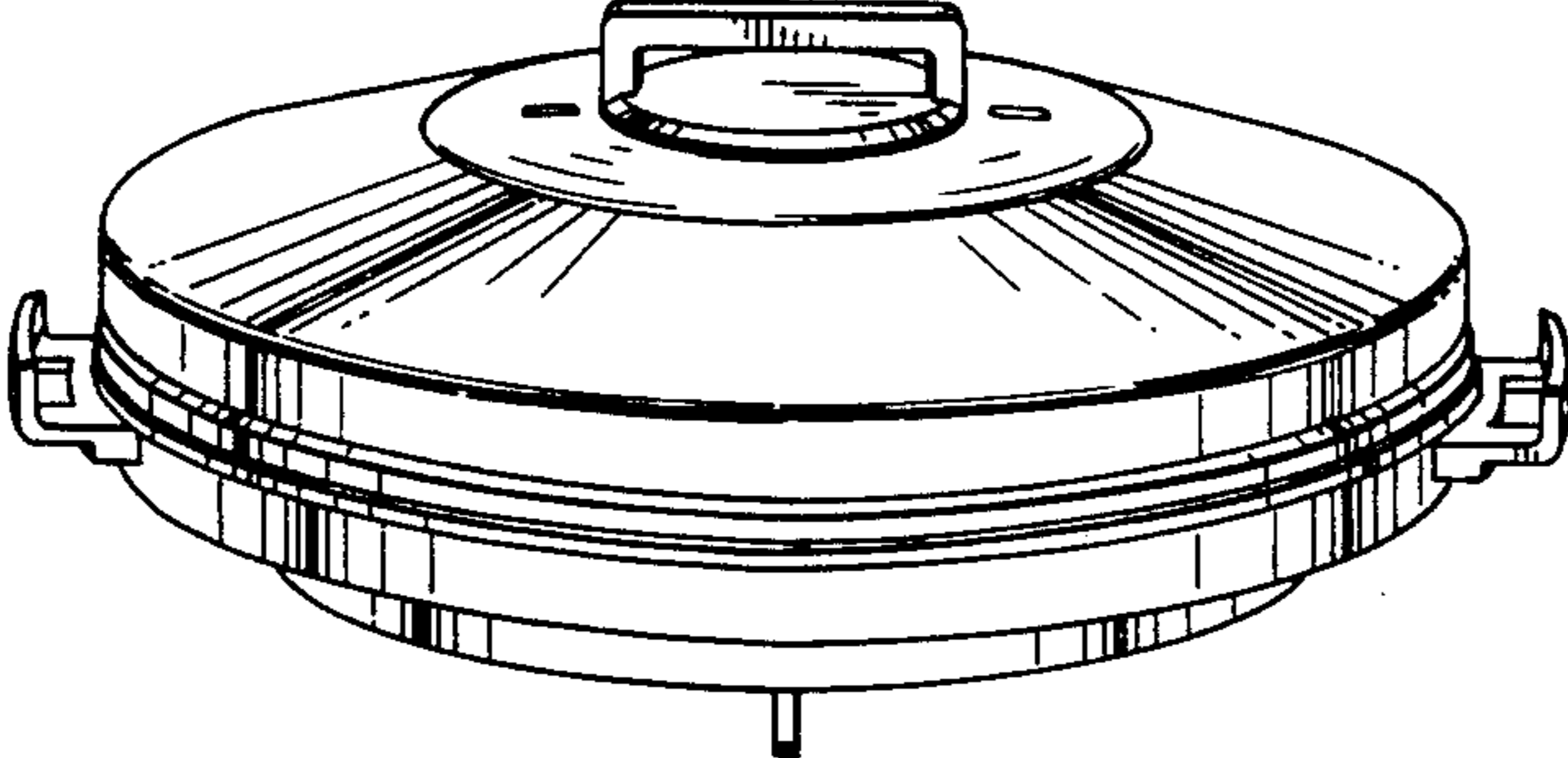


Fig. 2.

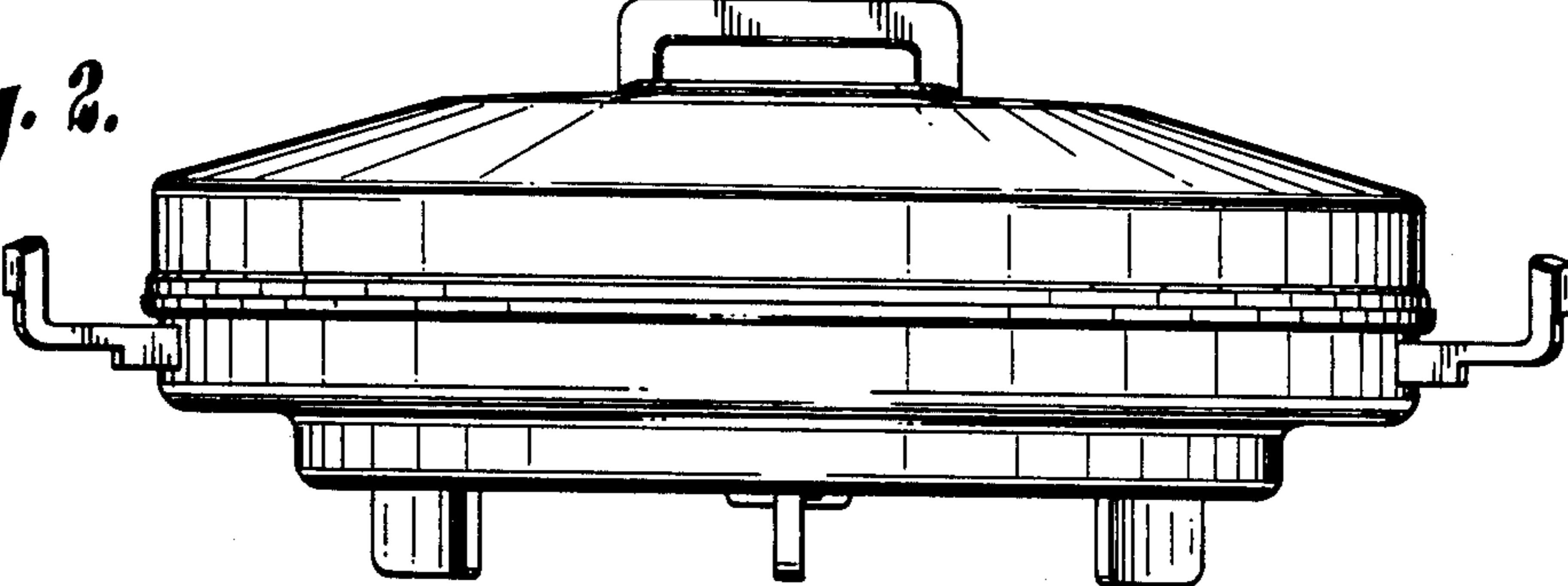


Fig. 3.

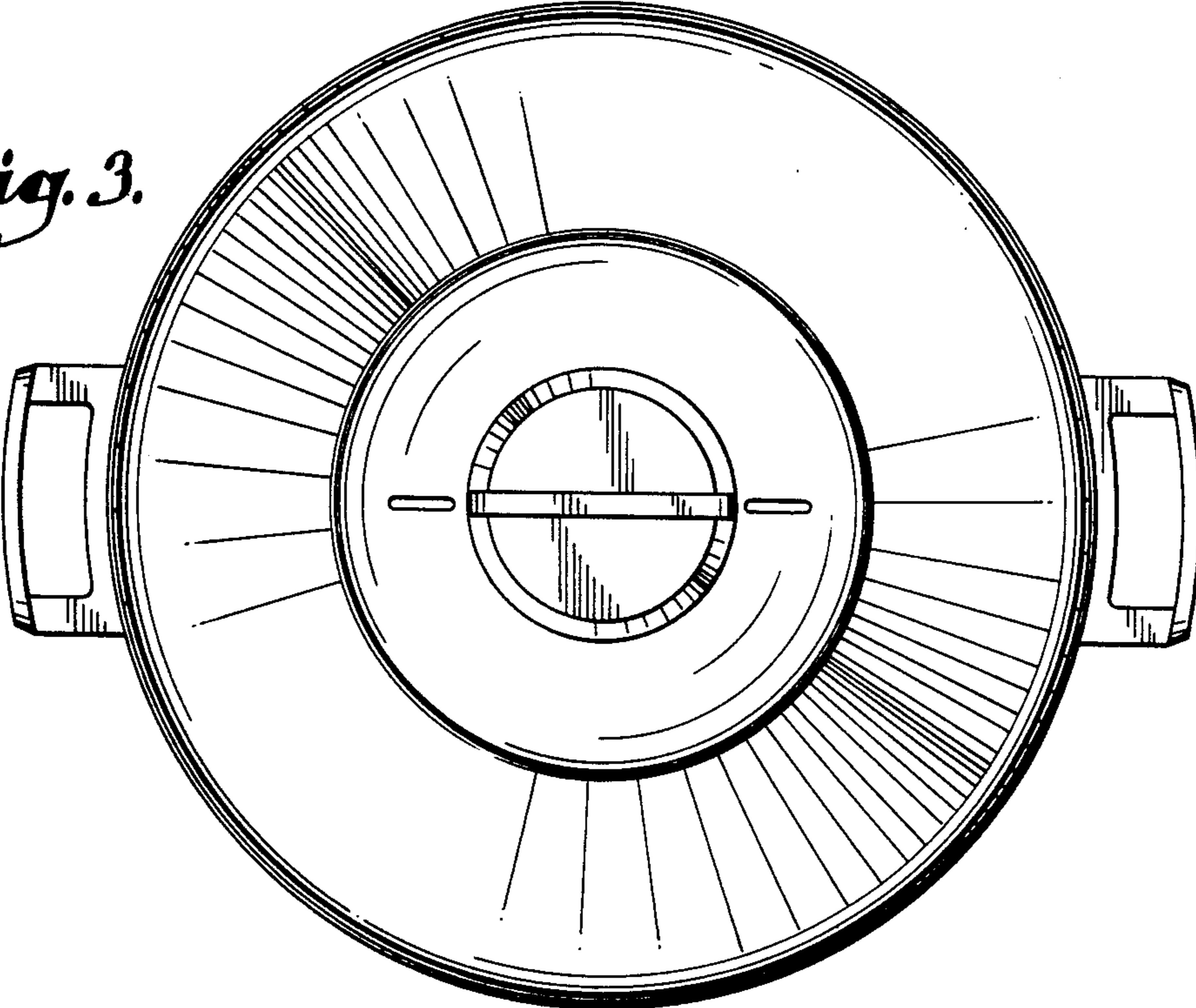


Fig. 4.

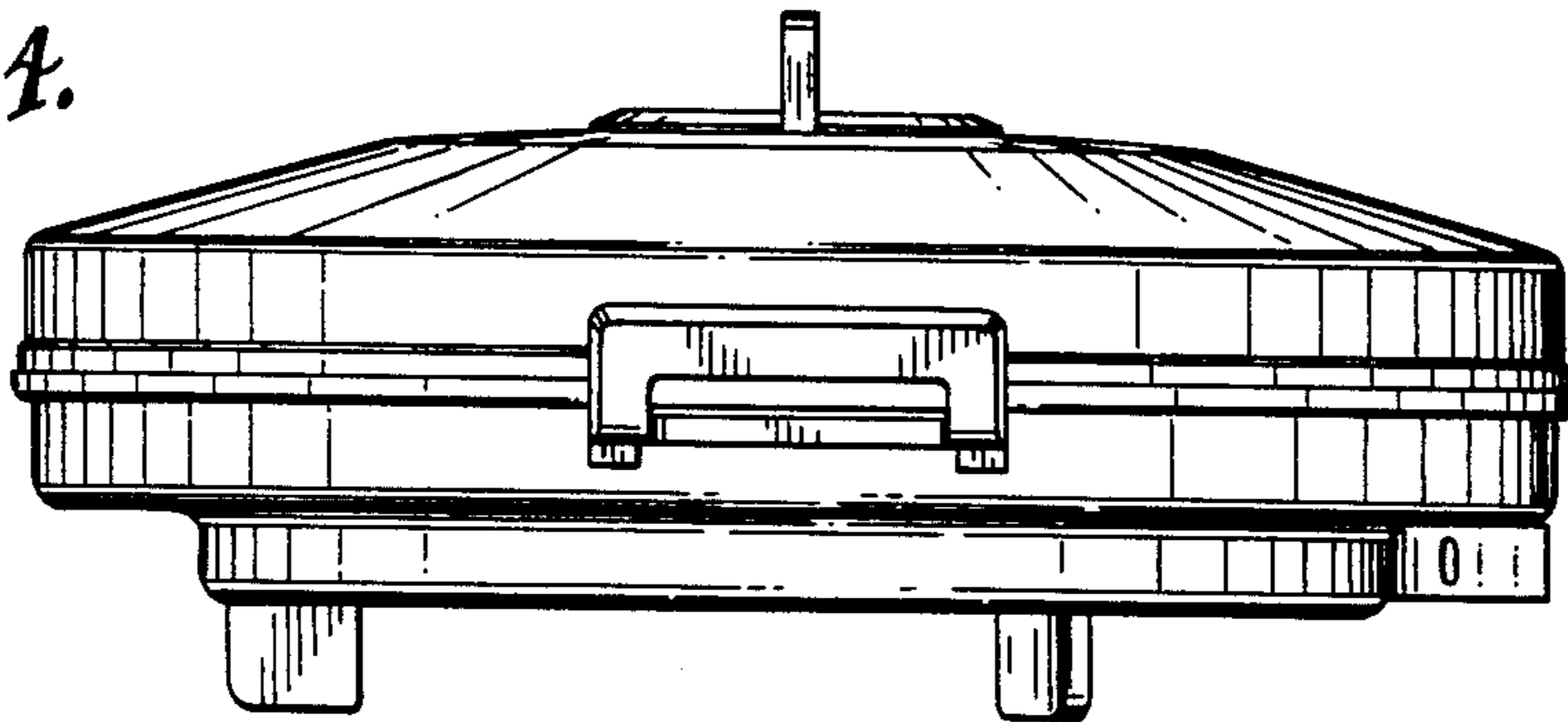


Fig. 5.

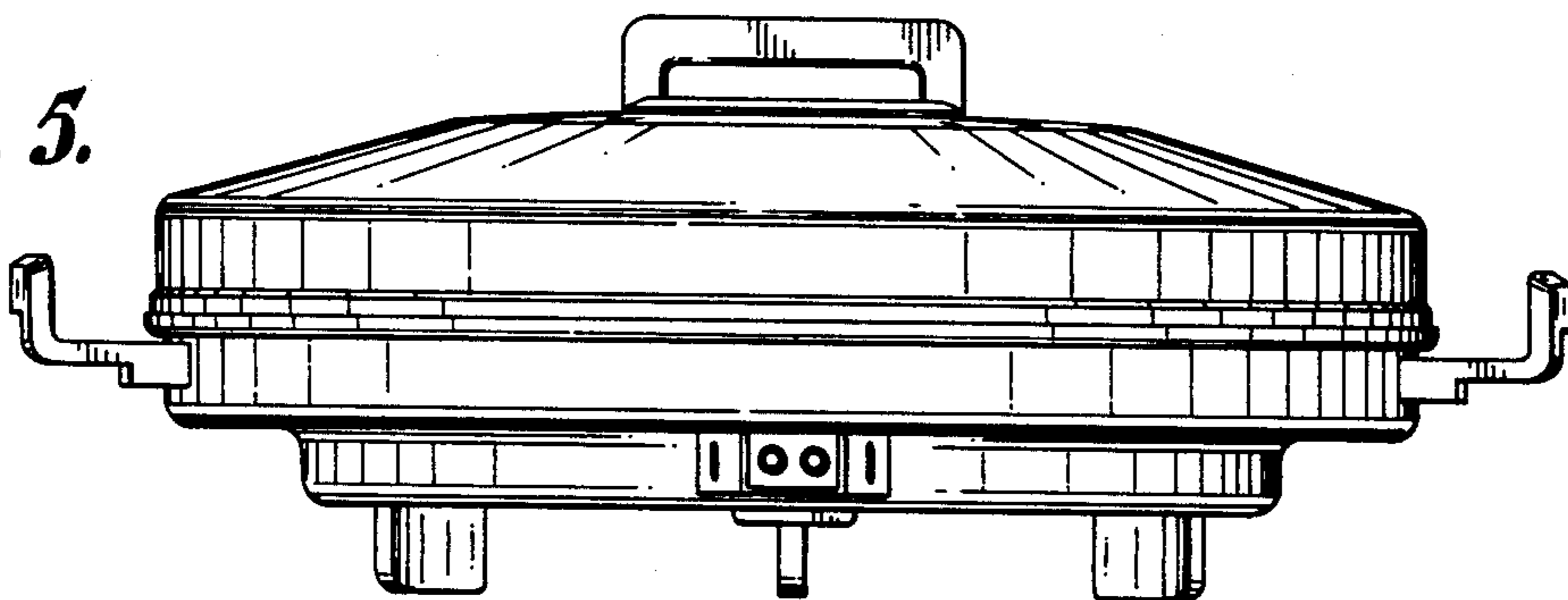


Fig. 6.

