

[54] **PRESSURE COOKER**

[75] Inventor: **Marshall B. Johnson**, Chillicothe, Ohio

[73] Assignee: **Wear-Ever Aluminum, Inc.**

[**] Term: **14 Years**

[21] Appl. No.: **866,408**

[22] Filed: **Dec. 30, 1977**

[51] Int. Cl. **D7-02**

[52] U.S. Cl. **D7/86; D7/97**

[58] Field of Search **D7/86, 97, 132; 99/330; 219/440; 220/202, 203, 208, 316, DIG. 17; D8/302, DIG. 2, DIG. 3, 300, 310**

3,632,014 1/1972 Basile D7/86 X
 3,632,014 1/1972 Basile 220/44 R

FOREIGN PATENT DOCUMENTS

1030792 6/1953 France .
 254624 8/1927 Italy .

OTHER PUBLICATIONS

Premium Practice of Business Promotion, Nov. 1947, front page-center item.

Primary Examiner—Donald B. Moyer
Attorney, Agent, or Firm—Patrick J. Viccaro

[57] **CLAIM**

The ornamental design for a pressure cooker, substantially as shown and described.

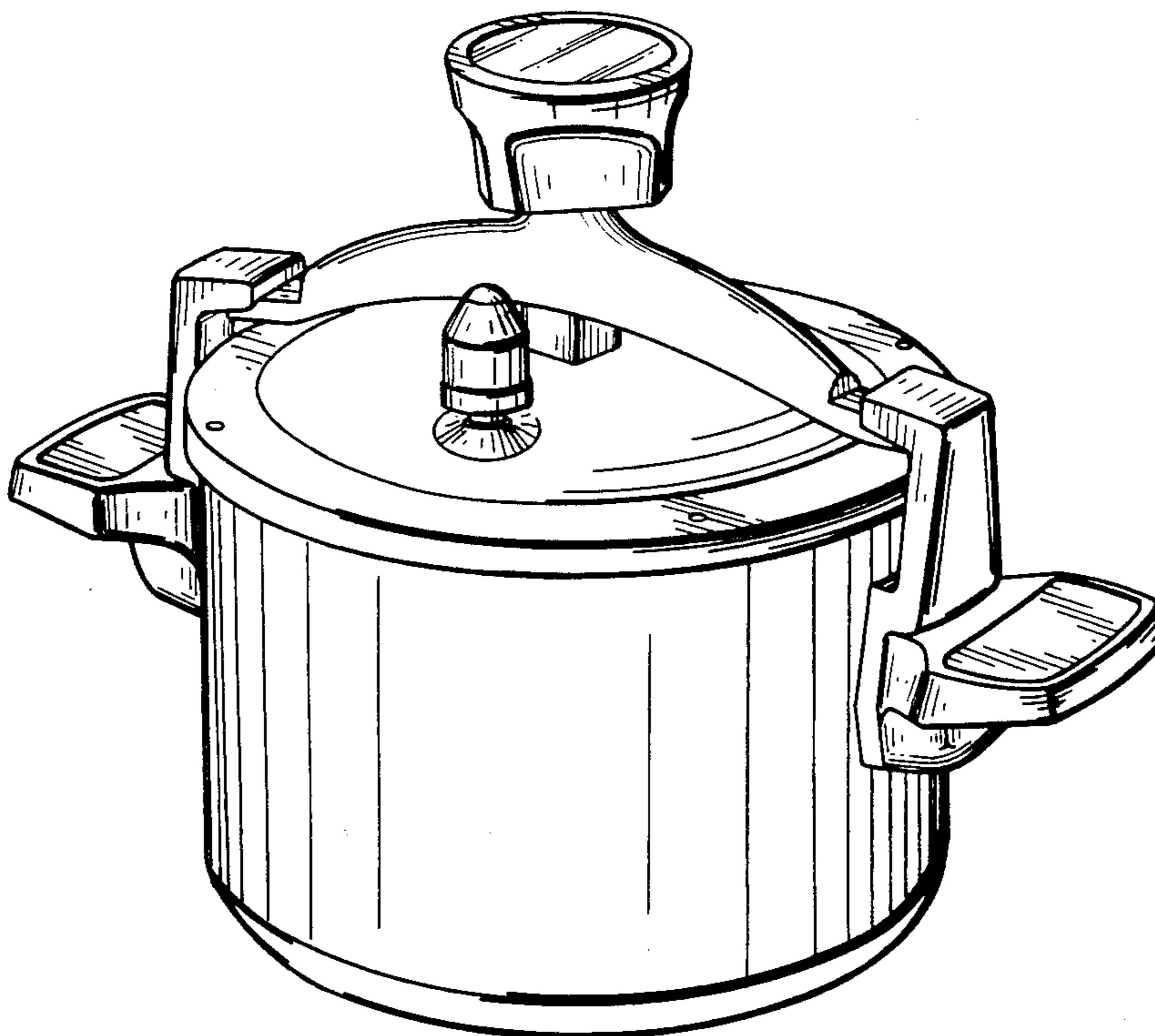
DESCRIPTION

FIG. 1 is a top and front perspective view of a pressure cooker showing my new design.
 FIG. 2 is a right side perspective view.
 FIG. 3 is a top perspective view.

[56] **References Cited**

U.S. PATENT DOCUMENTS

| | | | |
|------------|---------|-------------------|---------|
| D. 145,546 | 9/1946 | Watts et al. | D7/86 |
| 2,022,868 | 12/1935 | Nelson | 220/55 |
| 2,499,828 | 3/1950 | Kuriloff | 220/203 |



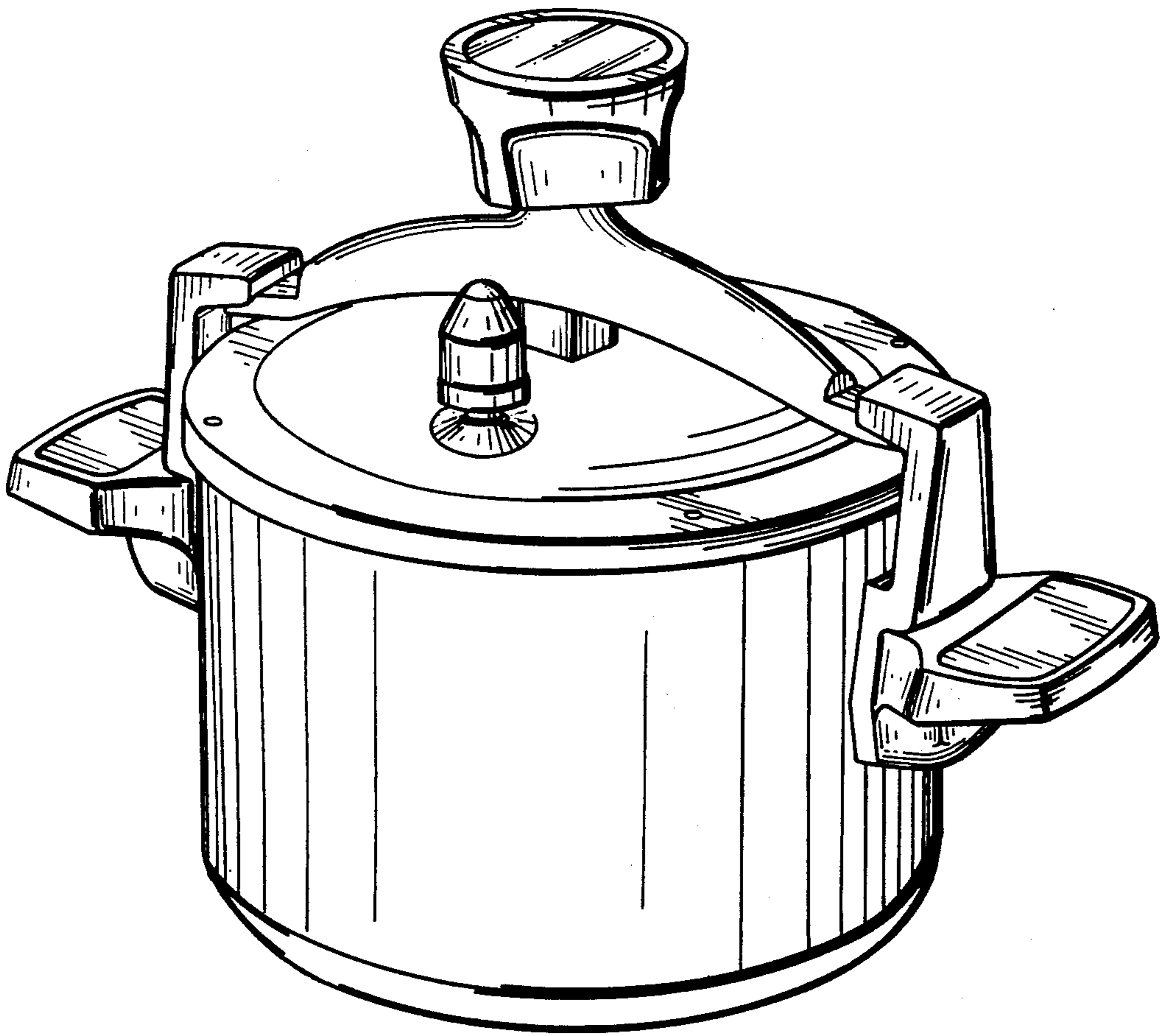


FIGURE 1

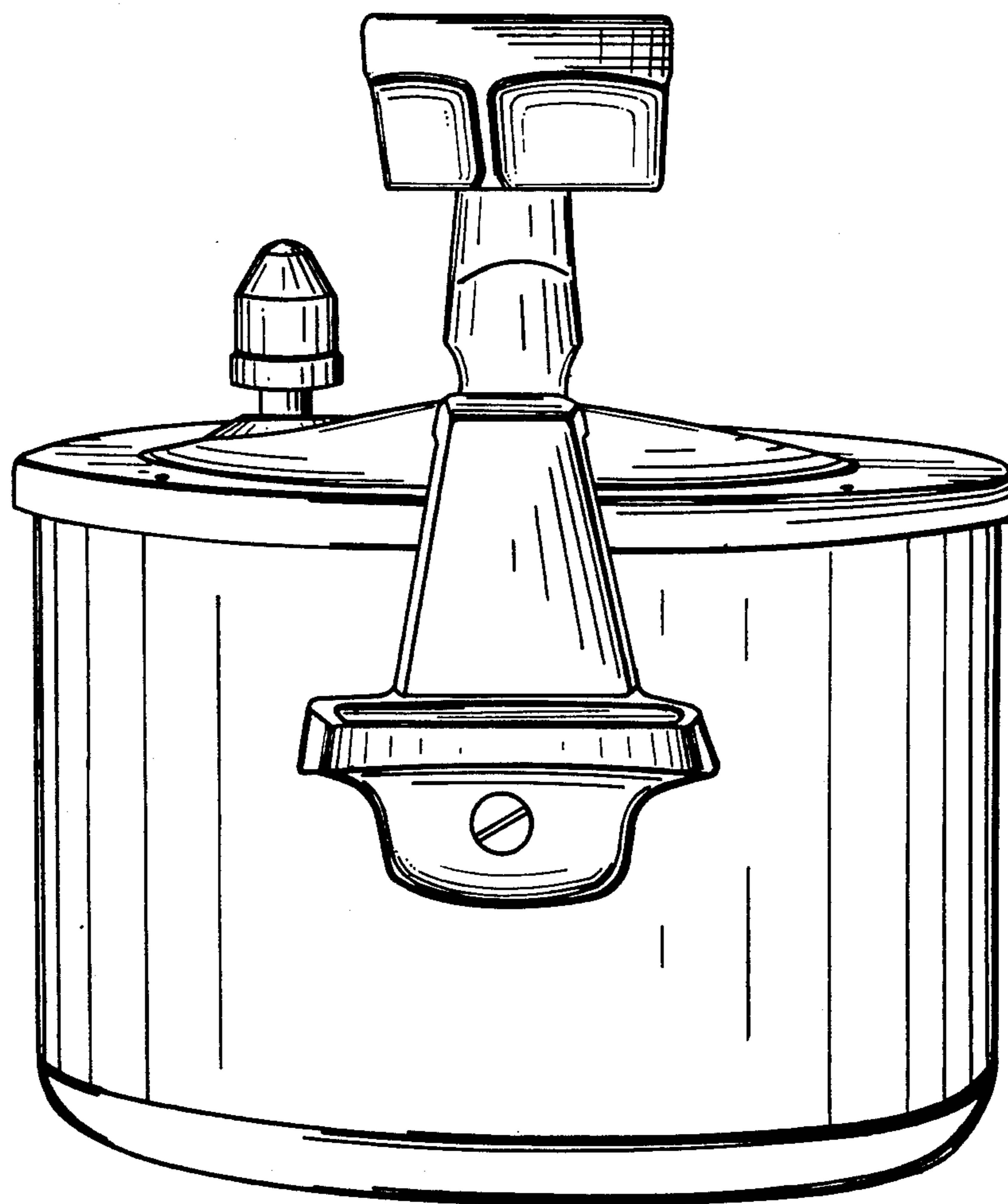


FIGURE 2

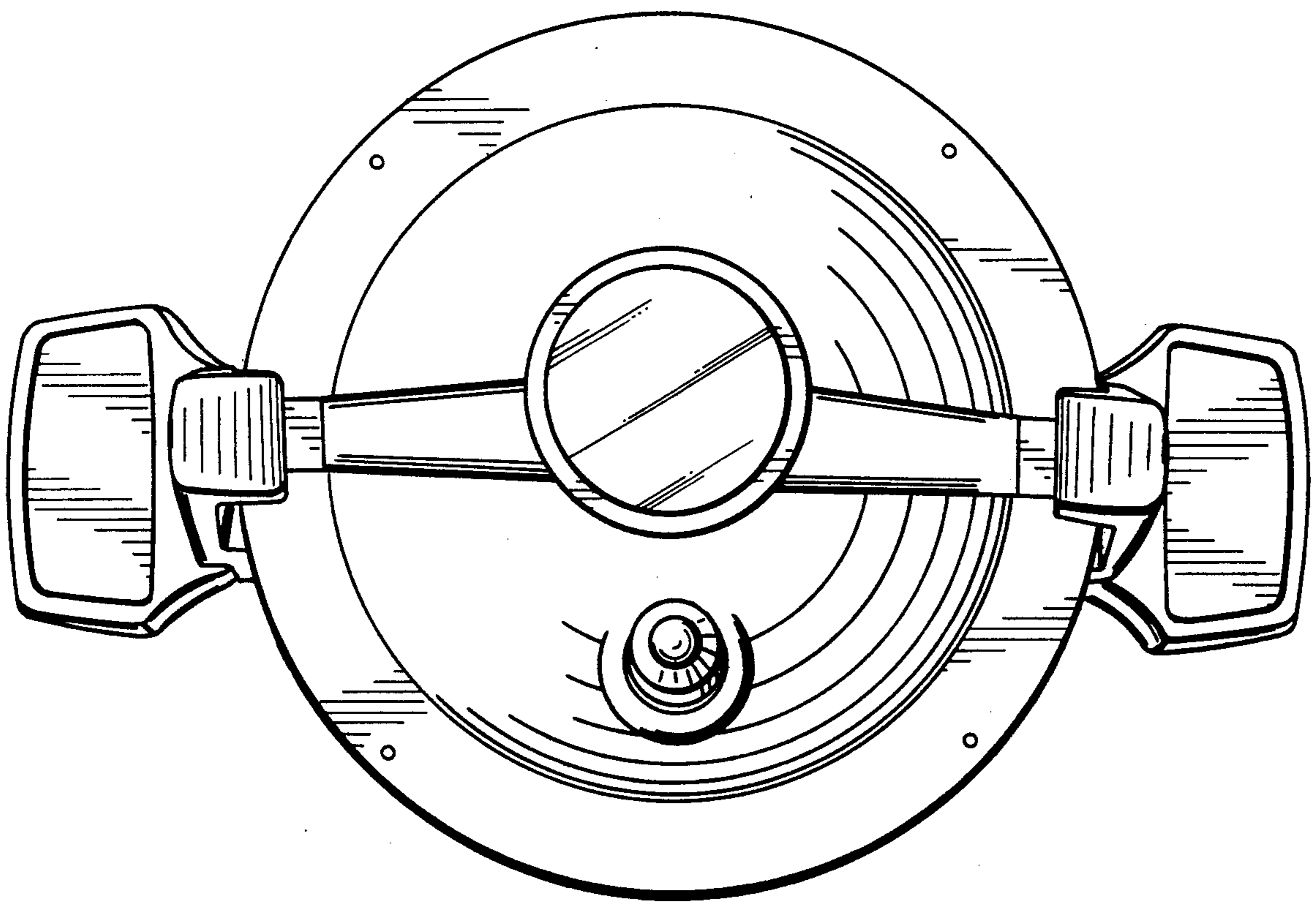


FIGURE 3