

[54] MICROPHONE STAND ATTACHMENT FOR SHEET MUSIC

[76] Inventors: **Richard J. LoJacono**, 26 Balboa Coves, Newport Beach, Calif. 92663; **James D. Seal**, 825 Tamarack, Apt. 3, Brea, Calif. 92621

[**] Term: **14 Years**

[21] Appl. No.: **963,517**

[22] Filed: **Nov. 24, 1978**

[51] Int. Cl. **D6-06**

[52] U.S. Cl. **D6/191; D6/18; 248/441 C; 248/457**

[58] Field of Search **D6/18, 181, 191, 192, D6/199; 248/441 B, 441 C, 447, 454, 457**

[56] **References Cited**

U.S. PATENT DOCUMENTS

1,228,083	5/1917	Warfel	248/441 C
1,281,682	10/1918	Southworth	248/441 C
1,849,990	3/1932	Otsuki	248/454

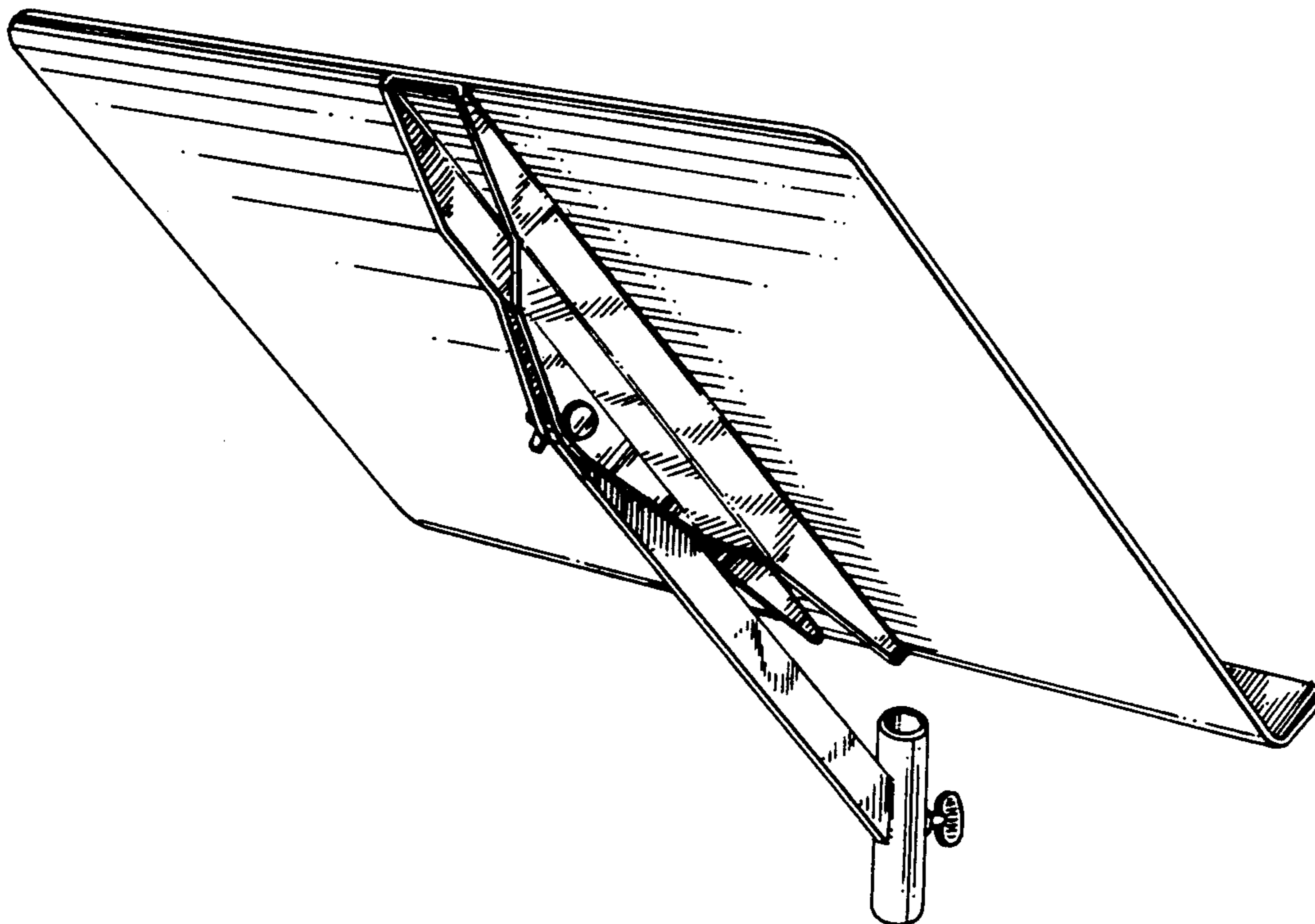
Primary Examiner—George G. Stellar
Attorney, Agent, or Firm—Francis X. LoJacono, Sr.

[57] **CLAIM**

The ornamental design for a microphone stand attachment for sheet music, as shown and described.

DESCRIPTION

FIG. 1 is a perspective view of a microphone stand attachment for sheet music showing our new design; FIG. 2 is a side-elevational view of the side not seen in FIG. 1; FIG. 3 is a rear-elevational view thereof; and FIG. 4 is a front-elevational view thereof.



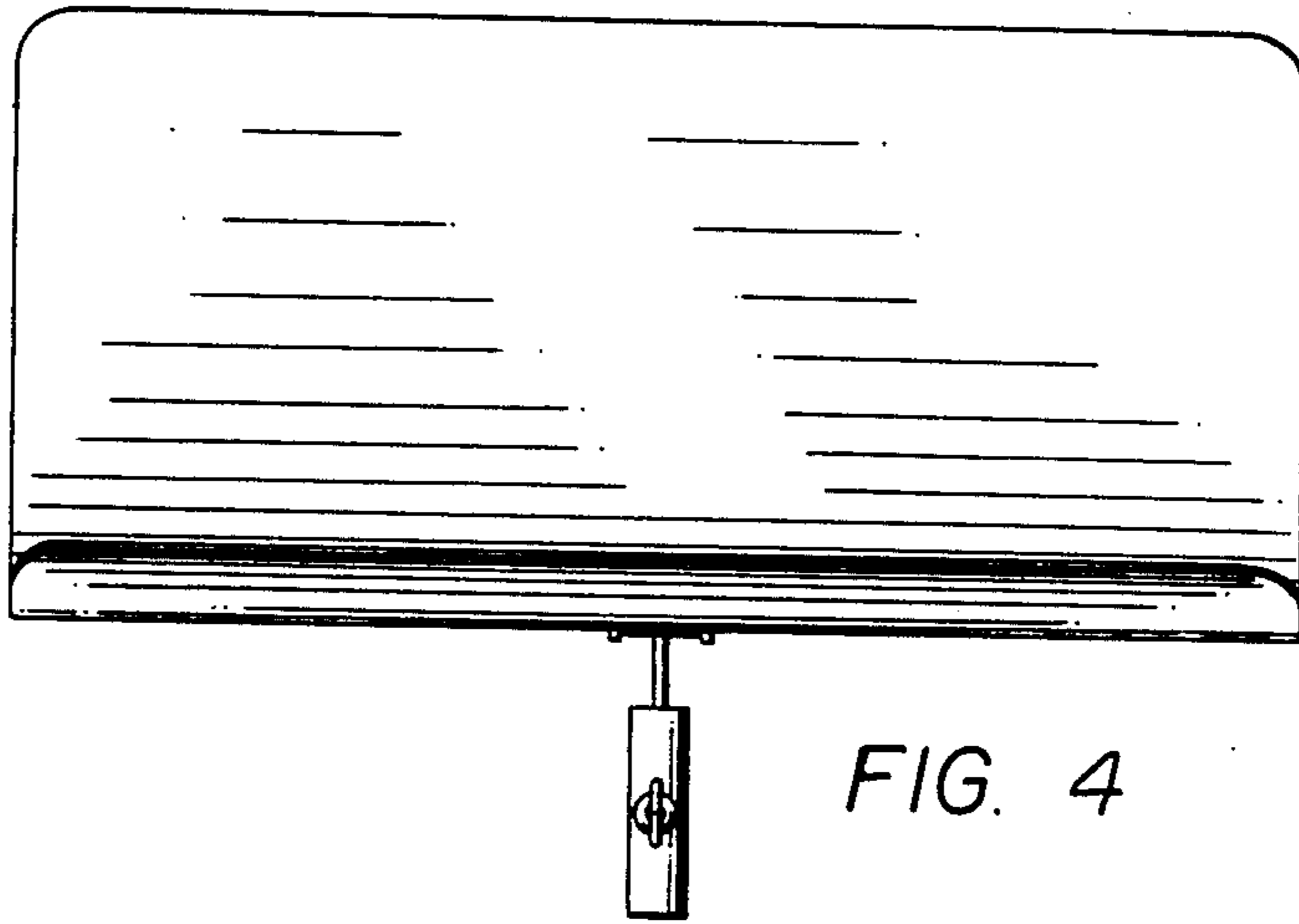
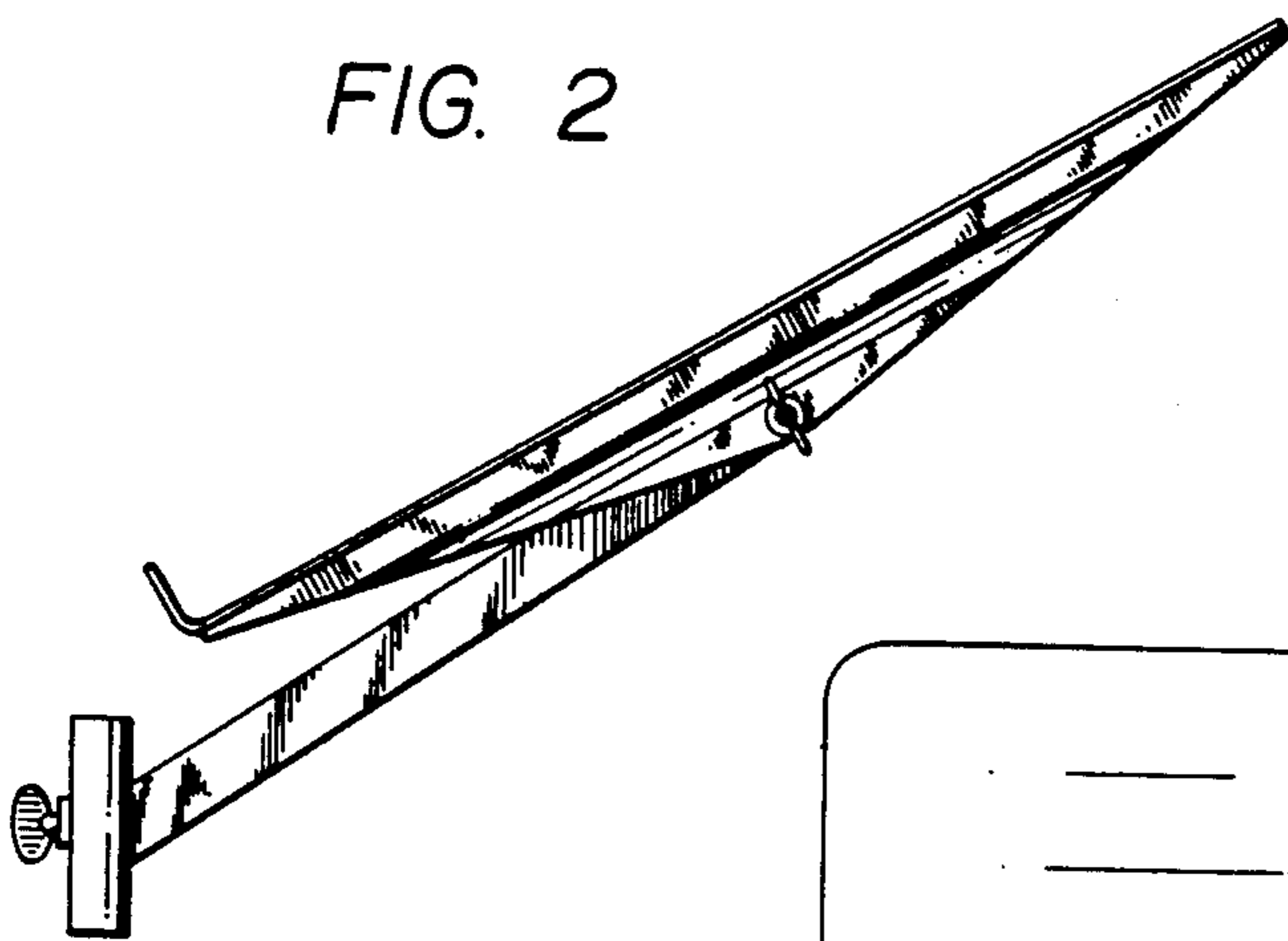
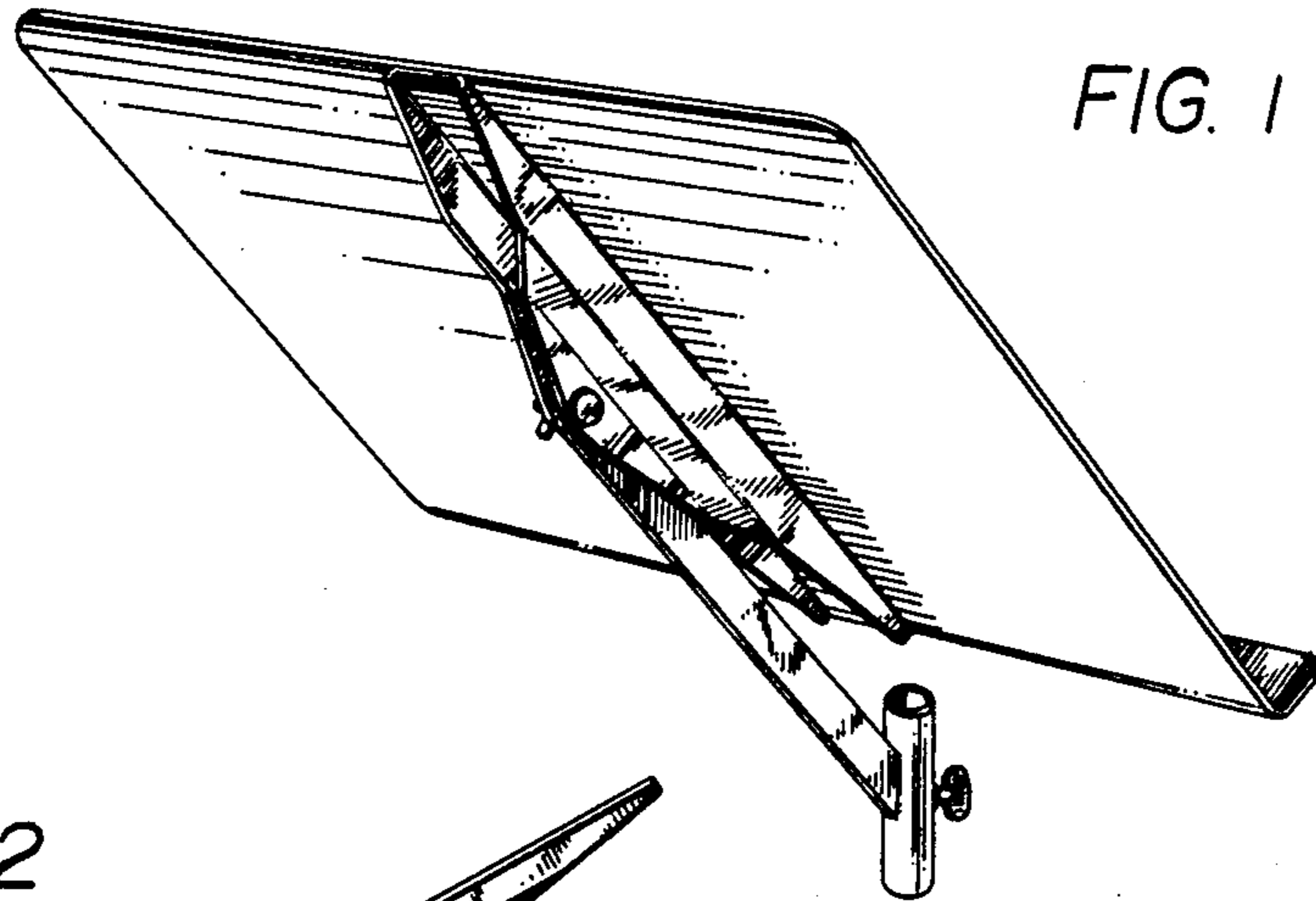


FIG. 3

