

[54] PLANT POT HOLDER

[76] Inventors: Donald R. Crawford, 863 Hartzell;  
Roy L. Crawford, 1255 E. Citrus  
#110, both of Redlands, Calif. 92373

[\*\*] Term: 14 Years

[21] Appl. No.: 950,700

[22] Filed: Oct. 12, 1978

[51] Int. Cl. .... D6-06; D11-02;  
D21-01; D31-00

[52] U.S. Cl. .... D6/153; D6/183;  
D11/149; D21/109; D99/29

[58] Field of Search ..... D11/143-149,  
D11/151-156, 164; D6/151-154, 182, 183;  
D34/15 R; D99/29; 47/14, 16, 41 R, 41 SS, 33,  
55, 59, 61, 66-69, 71, 72, 79, 81, 83, 85-87;  
D21/109

[56] References Cited

U.S. PATENT DOCUMENTS

D. 163,089 5/1951 Buzan ..... D11/149  
D. 240,061 5/1976 Satten ..... D34/15 R

OTHER PUBLICATIONS

Gifts & Decorative Accessories, 7/1974, p. 216, Mail-  
box Planter.

Primary Examiner—Barbara J. Bullock  
Attorney, Agent, or Firm—Willie Krawitz

[57] CLAIM

The ornamental design for a plant pot holder, substan-  
tially as shown.

DESCRIPTION

FIG. 1 is a top plan view of a plant pot holder showing  
my new design;  
FIG. 2 is a front elevation view thereof;  
FIG. 3 is a side elevational view taken from the left of  
FIG. 2;  
FIG. 4 is a sectional view taken in the direction of the  
arrows on line 4-4 of FIG. 1;  
FIG. 5 is a bottom plan view thereof; and,  
FIG. 6 is a rear elevational view thereof.

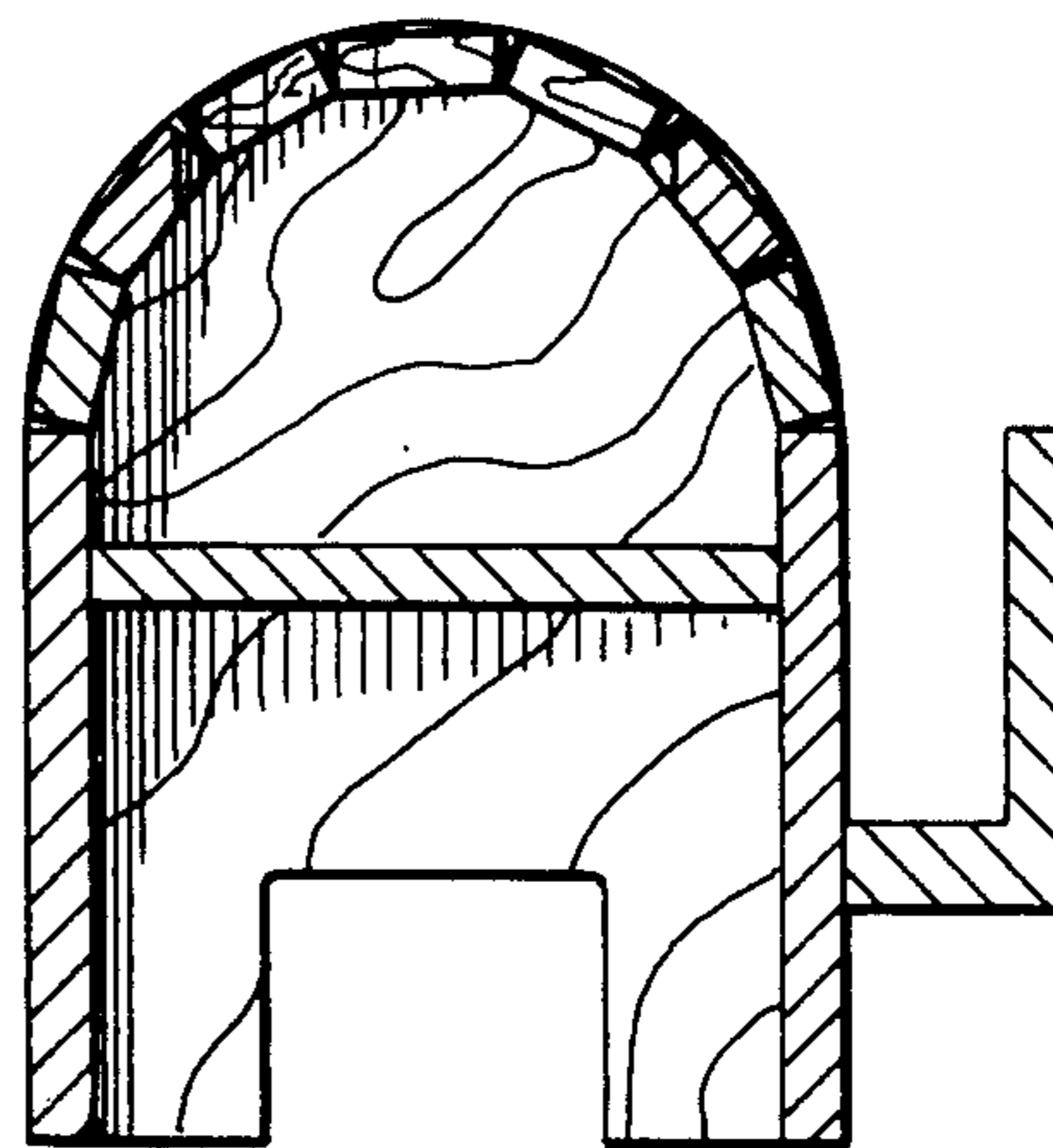
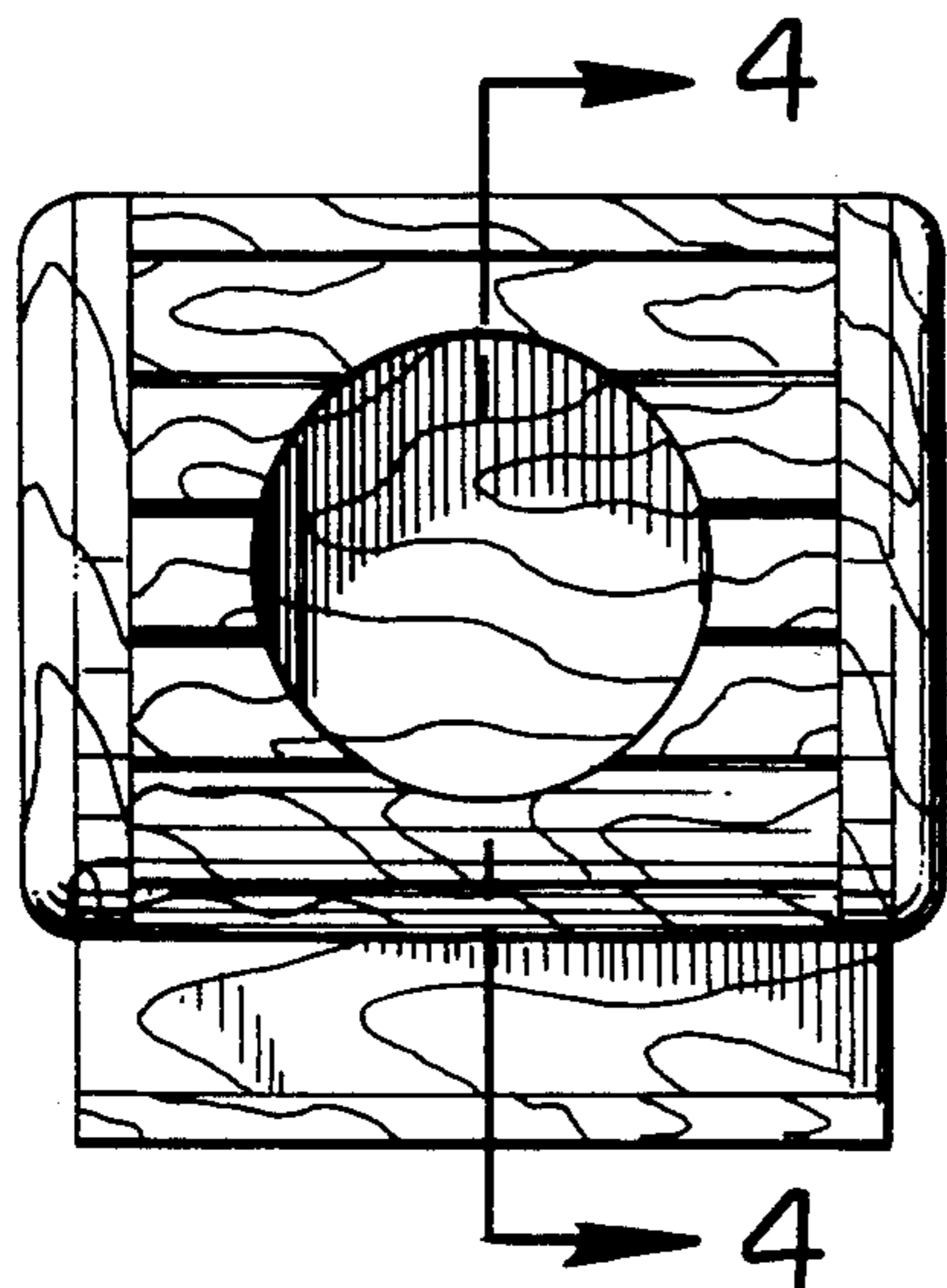


FIG. 1

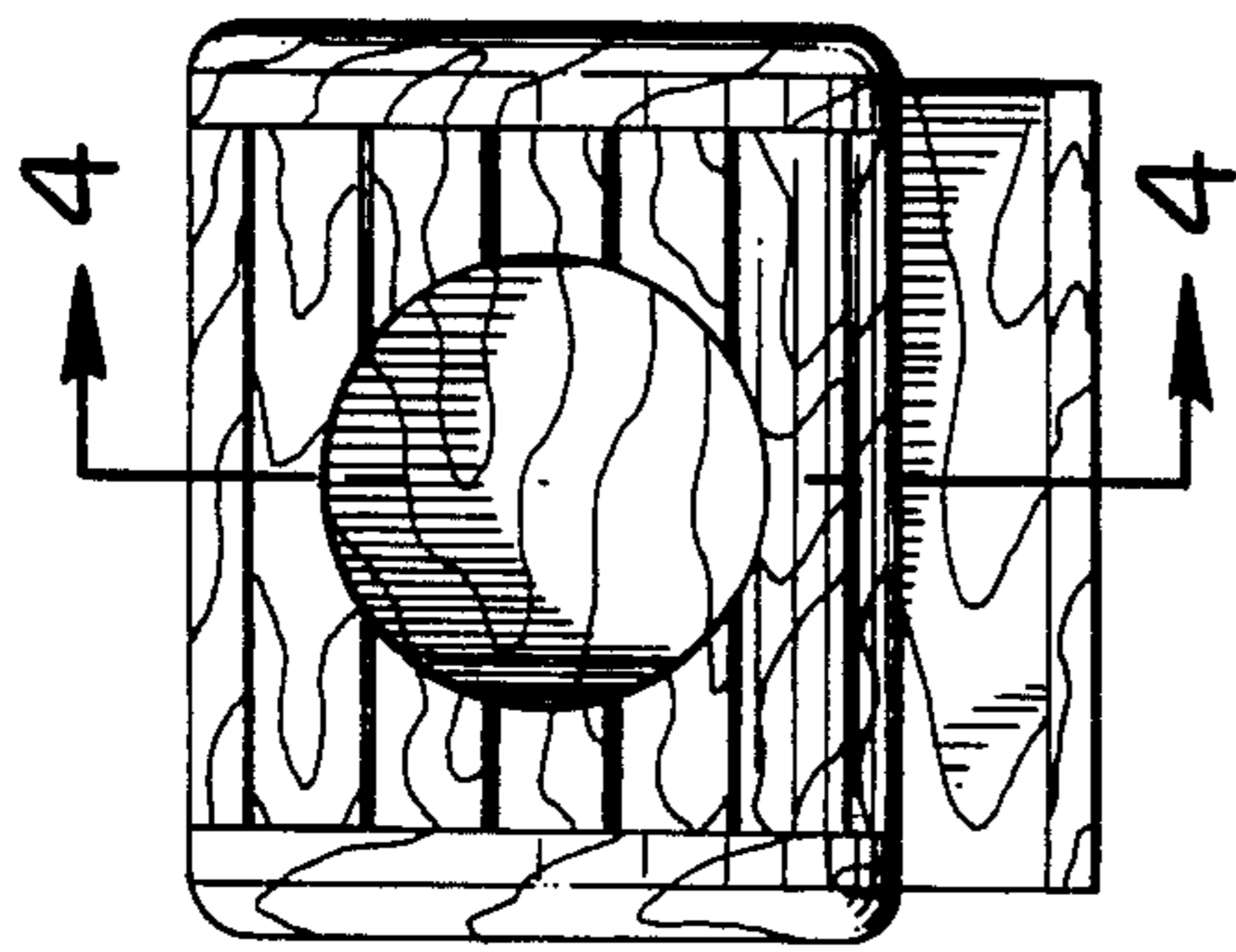


FIG. 4

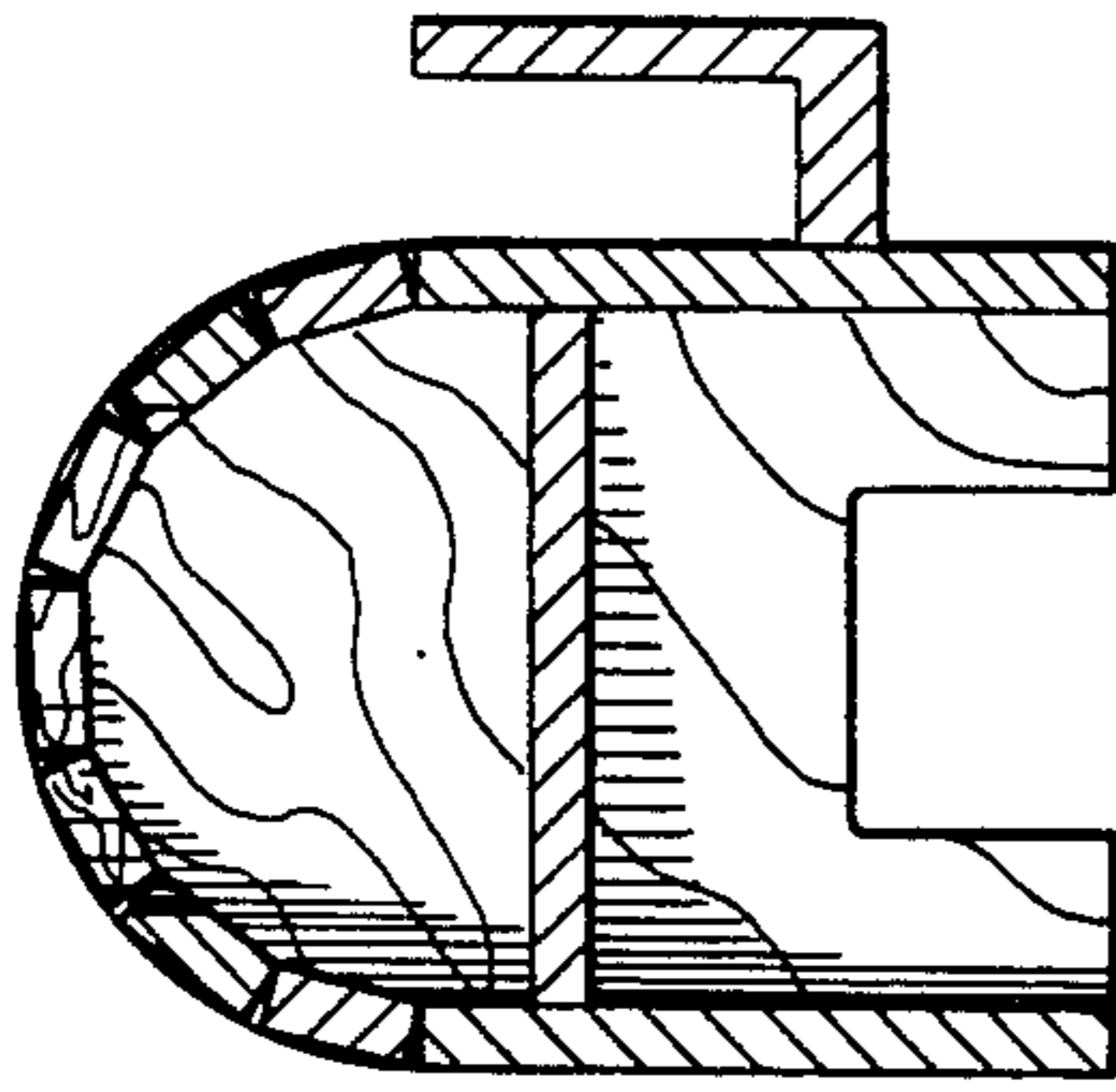


FIG. 5

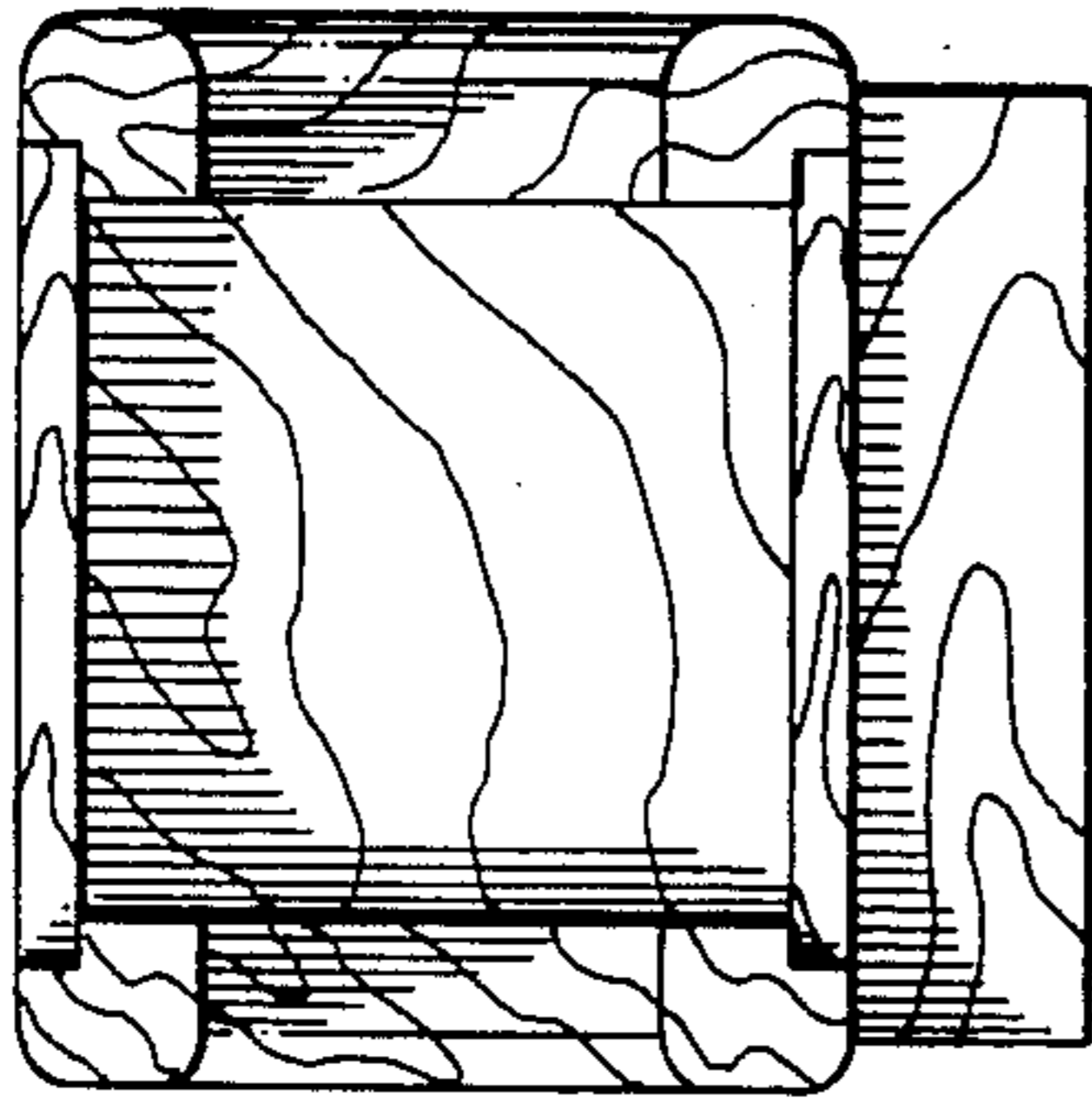


FIG. 2

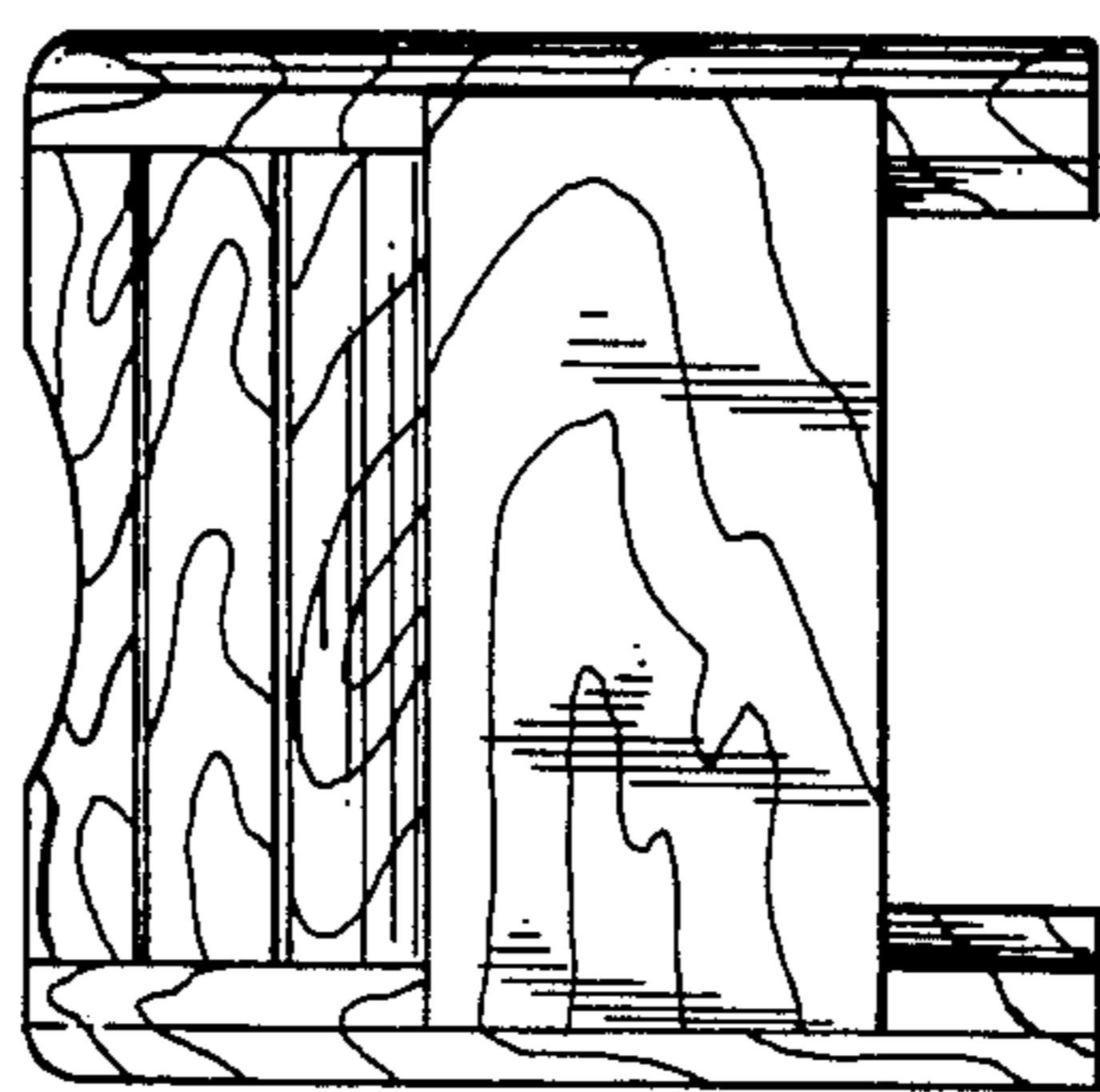


FIG. 3

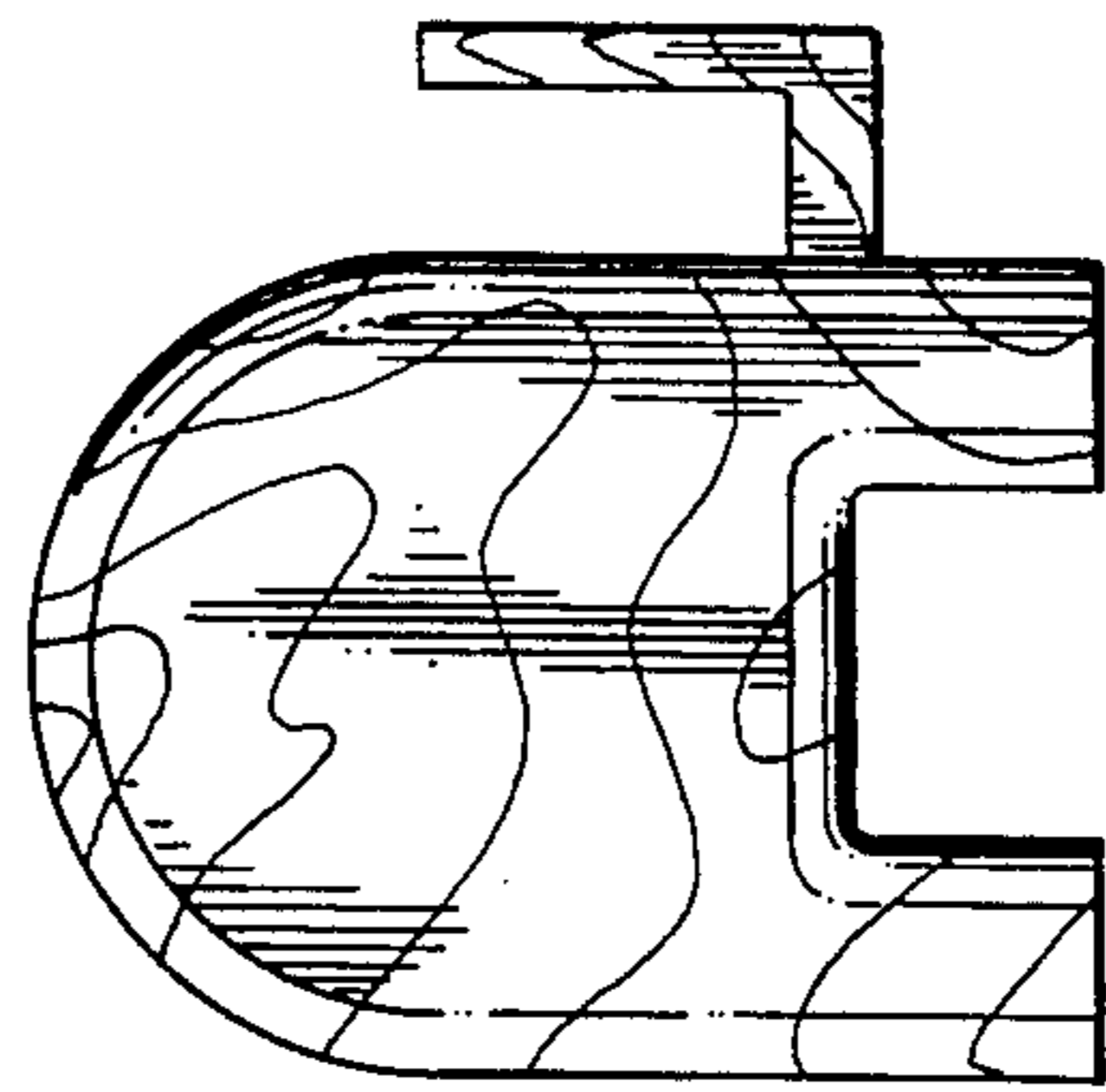


FIG. 6

