

[54] PLANT POT HOLDER

[76] Inventors: Donald R. Crawford, 863 Hartzell;
Roy L. Crawford, 1255 E. Citrus
#110, both of Redlands, Calif. 92373

[**] Term: 14 Years

[21] Appl. No.: 950,699

[22] Filed: Oct. 12, 1978

[51] Int. Cl. D6-06; D11-02;
D21-01

[52] U.S. Cl. D6/153; D6/183;
D11/149; D21/134

[58] Field of Search D11/143-149,
D11/151-156, 164; D6/151-154, 182, 183;
D34/2 C, 15 AJ, 15 R, 5 H; 47/14, 16, 41 R, 41
SS, 33, 55, 59, 61, 66-69, 71, 72, 83, 85-87, 79,
81; D21/134

[56] References Cited

U.S. PATENT DOCUMENTS

1,668,360 5/1928 Fisher D34/15 AJ

OTHER PUBLICATIONS

"American Craftsman" 1973 Cat. of Wooden Toys, p. 6,
Cat. No. 603.

Primary Examiner—Barbara J. Bullock
Attorney, Agent, or Firm—Willie Krawitz

[57] CLAIM

The ornamental design for a plant pot holder, substan-
tially as shown.

DESCRIPTION

FIG. 1 is a top plan view of the plant pot holder show-
ing our new design;
FIG. 2 is a front elevation view thereof;
FIG. 3 is a rear elevation view thereof;
FIG. 4 is a bottom view thereof; and,
FIG. 5 is a side elevation view thereof taken from the
left of FIG. 2, the side opposite being a mirror image
thereof.

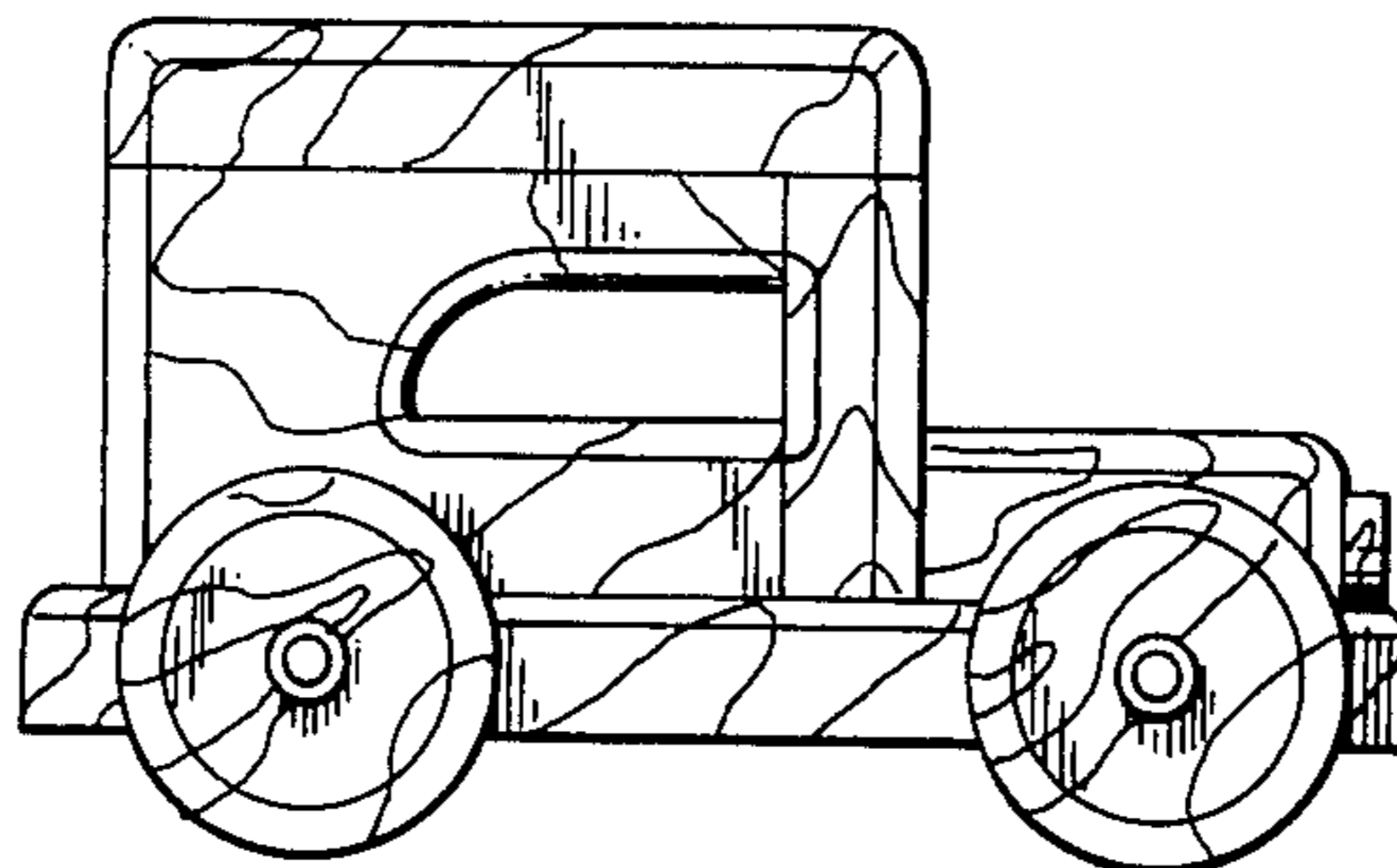
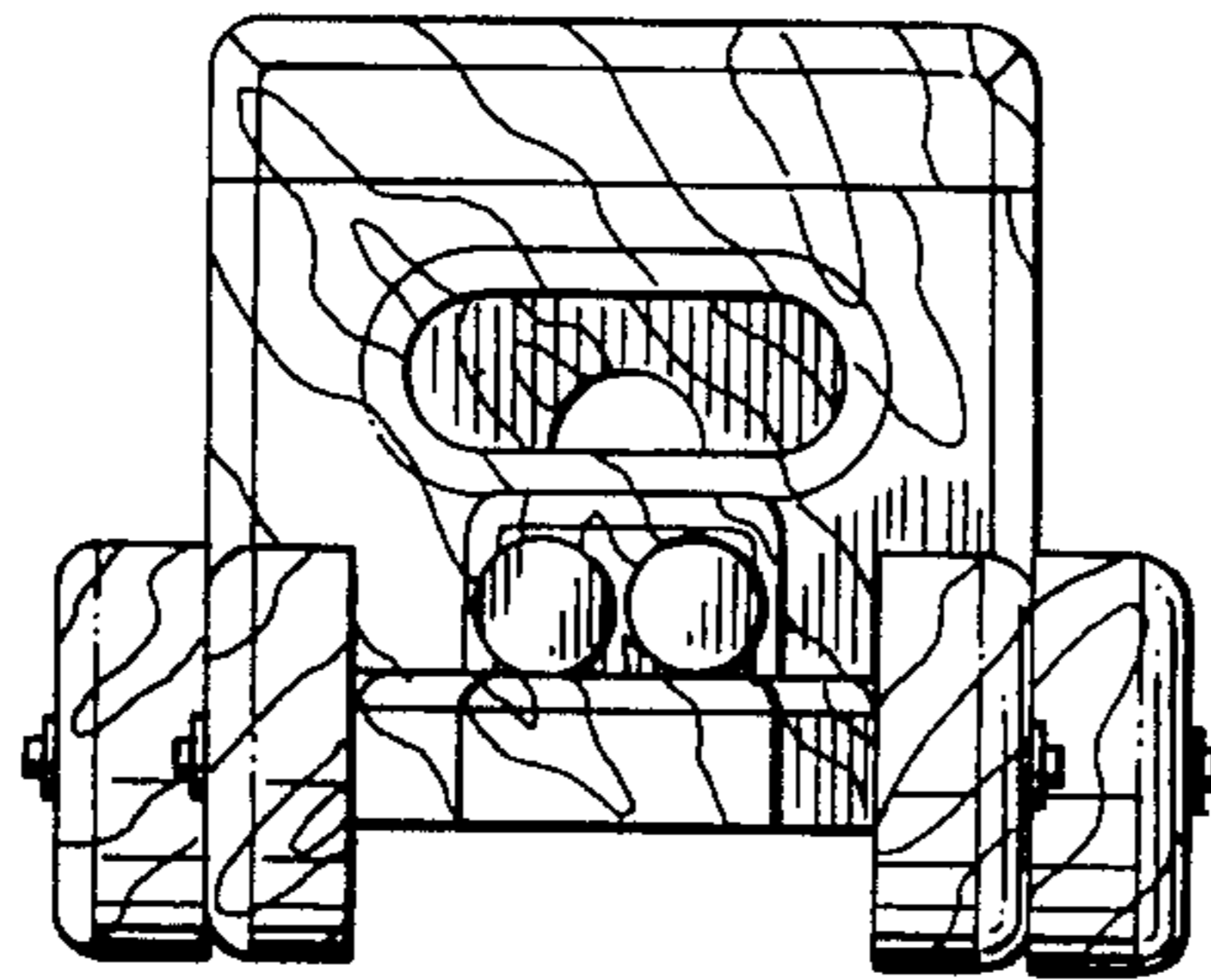


FIG. 1

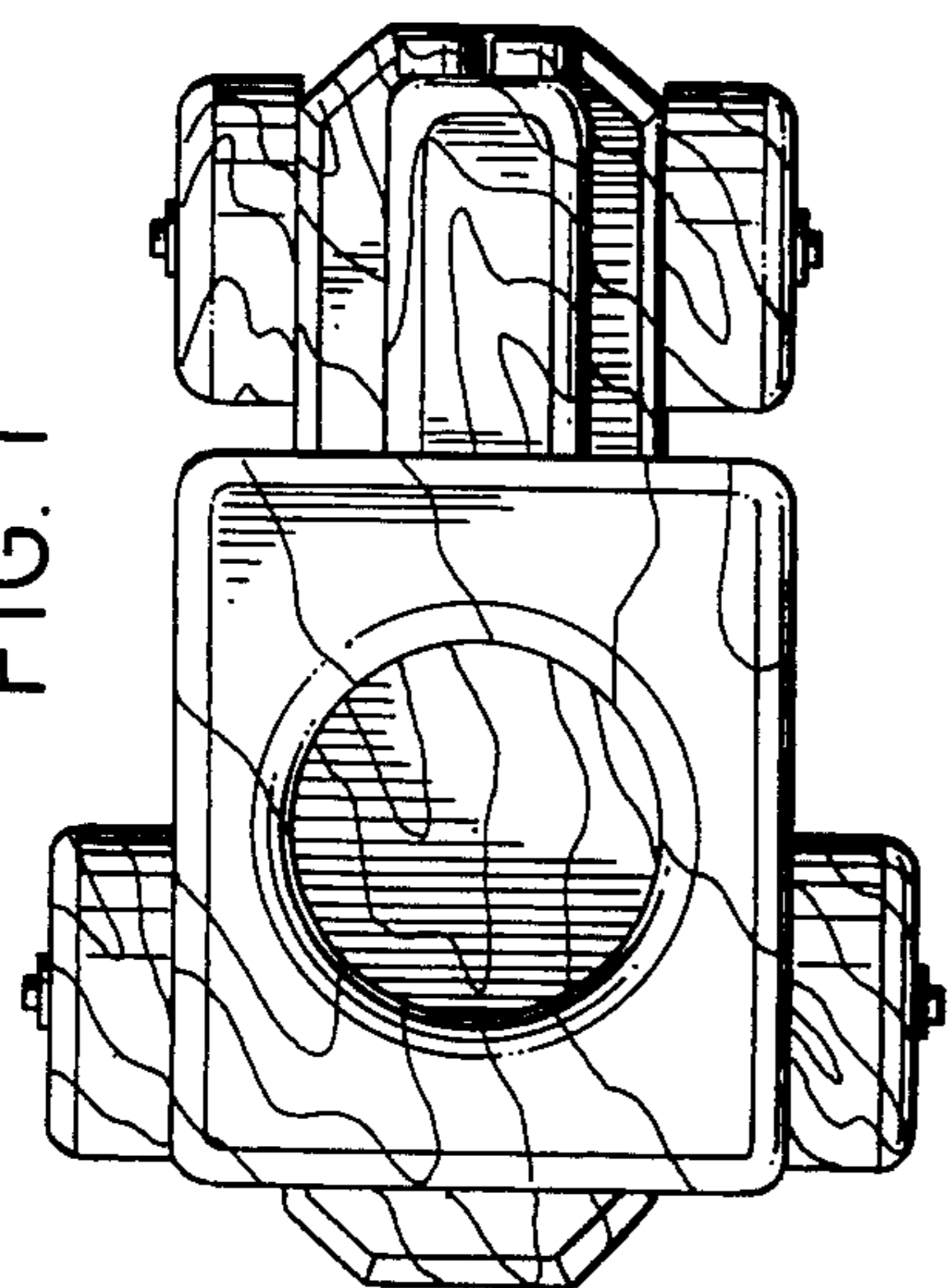


FIG. 2

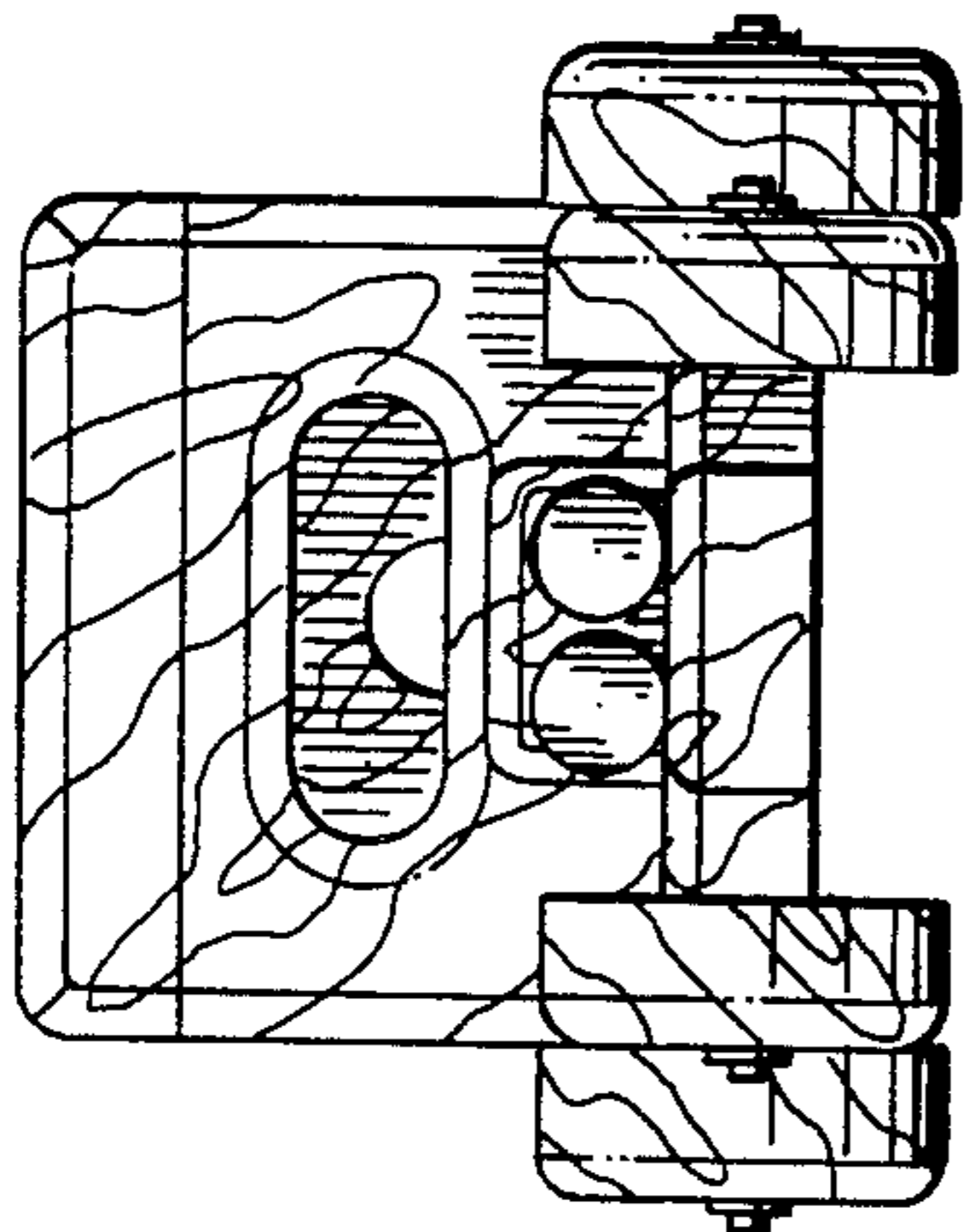


FIG. 3

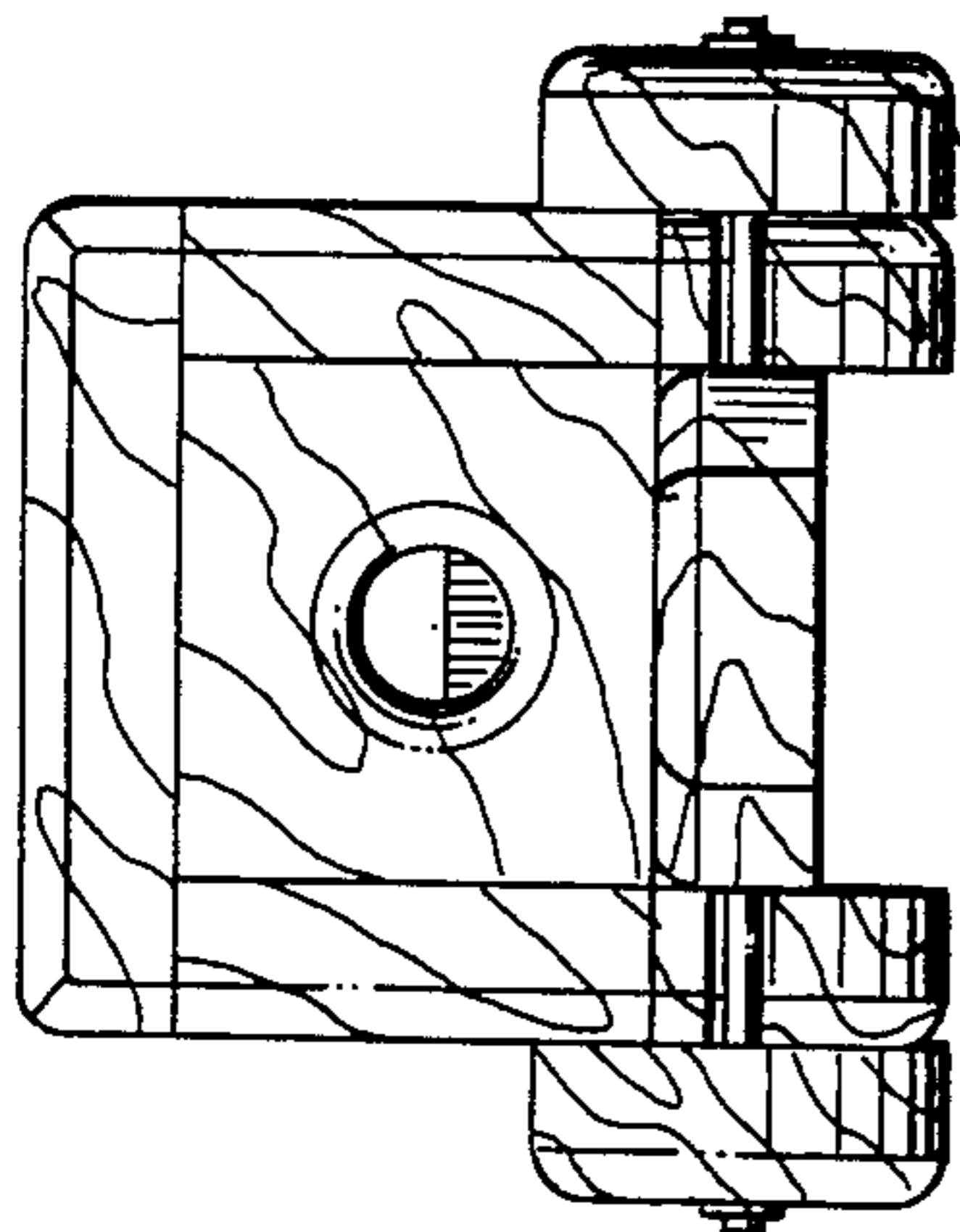


FIG. 4

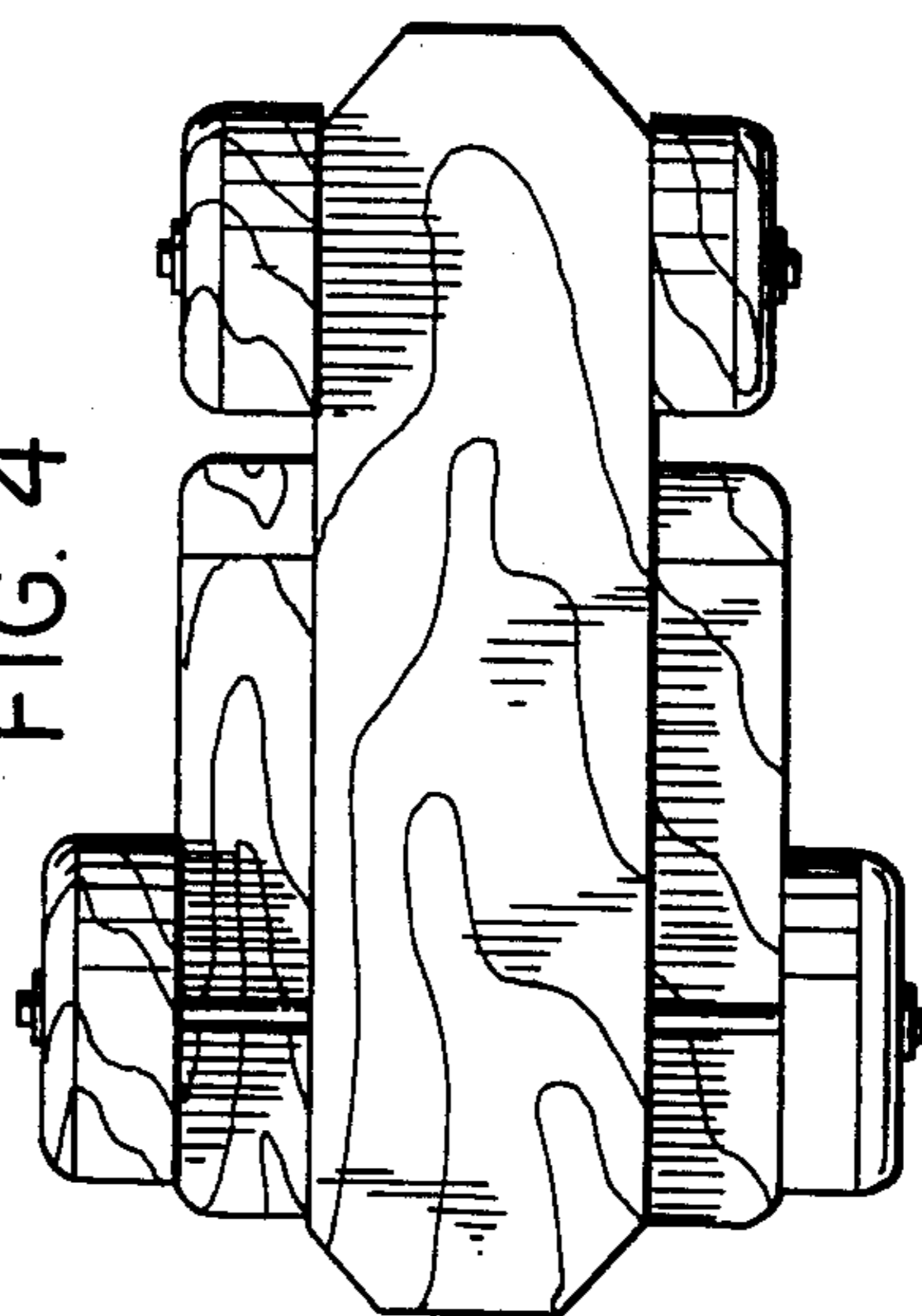


FIG. 5

