

[54] SEAT

[75] Inventor: Lester Beall, Jr., High Point, N.C.

[73] Assignee: Trend Line Furniture Corporation, Amsterdam, N.Y.

[\*\*] Term: 14 Years

[21] Appl. No.: 857,721

[22] Filed: Dec. 5, 1977

[51] Int. Cl. .... D6-01  
[52] U.S. Cl. .... D6/62  
[58] Field of Search ..... D6/60-78

References Cited

U.S. PATENT DOCUMENTS

D. 232,884 9/1974 Niederman ..... D6/63  
D. 246,144 10/1977 Nash ..... D6/63

OTHER PUBLICATIONS

Schweiger Industries brochure, 4-26-1977, Loveseat No. 04812-0248.

Crestline Cat., 1976, p. 11, Chair No. 34125.

Crestline Catalog, 1976, p. 7, Chair No. 38625.

Primary Examiner—Bruce W. Dunkins

Attorney, Agent, or Firm—Joseph P. Flanagan

[57] CLAIM

The ornamental design for a seat, as shown and described.

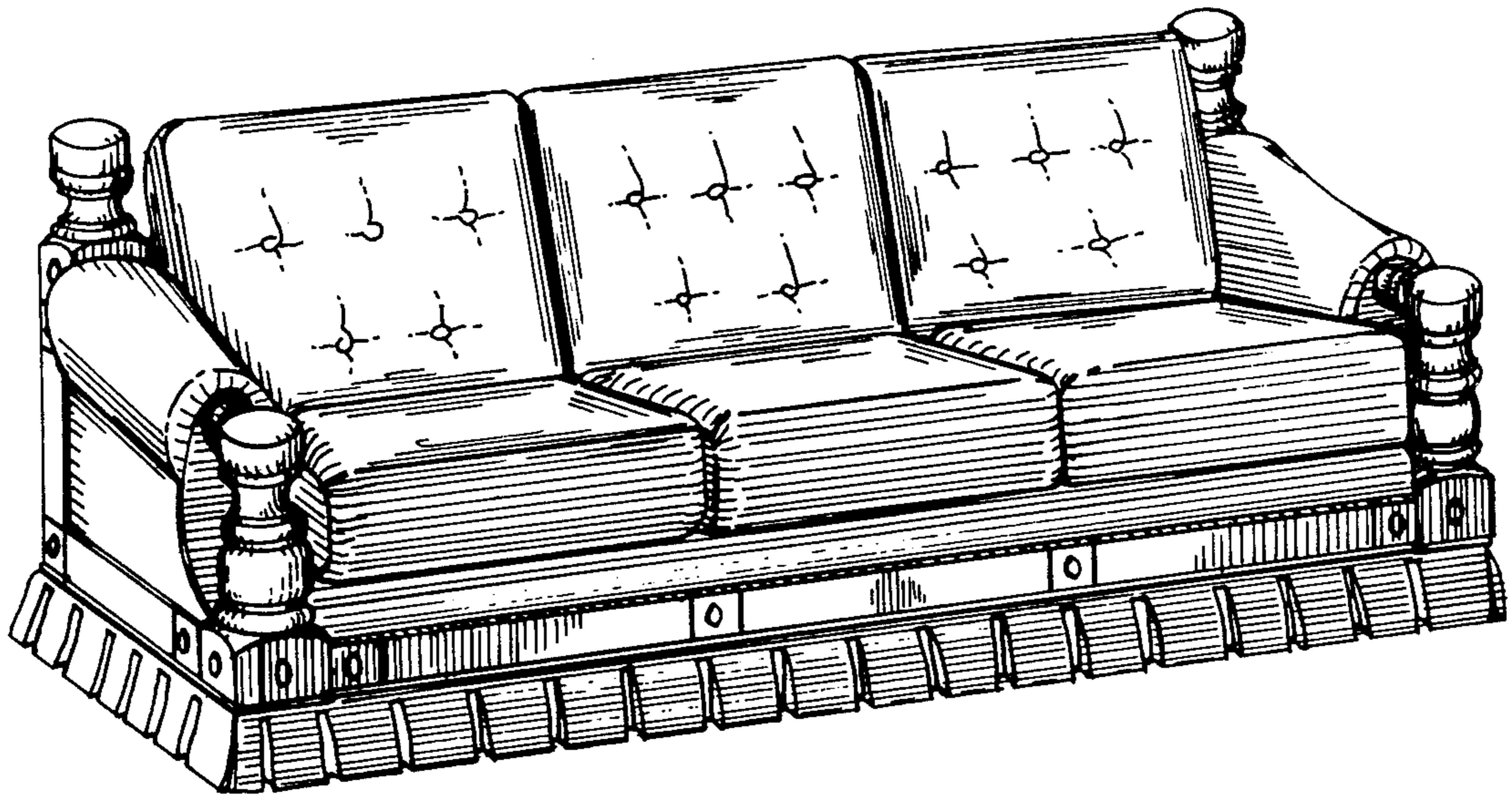
DESCRIPTION

FIG. 1 is a front perspective view of a seat showing my design in the form of a sofa;

FIG. 2 is a front perspective view thereof in the form of a loveseat;

FIG. 3 is a front perspective view showing the seat in the form of a chair; and

FIG. 4 is a rear perspective view of the design of FIG. 1 shown in the form of an armchair.



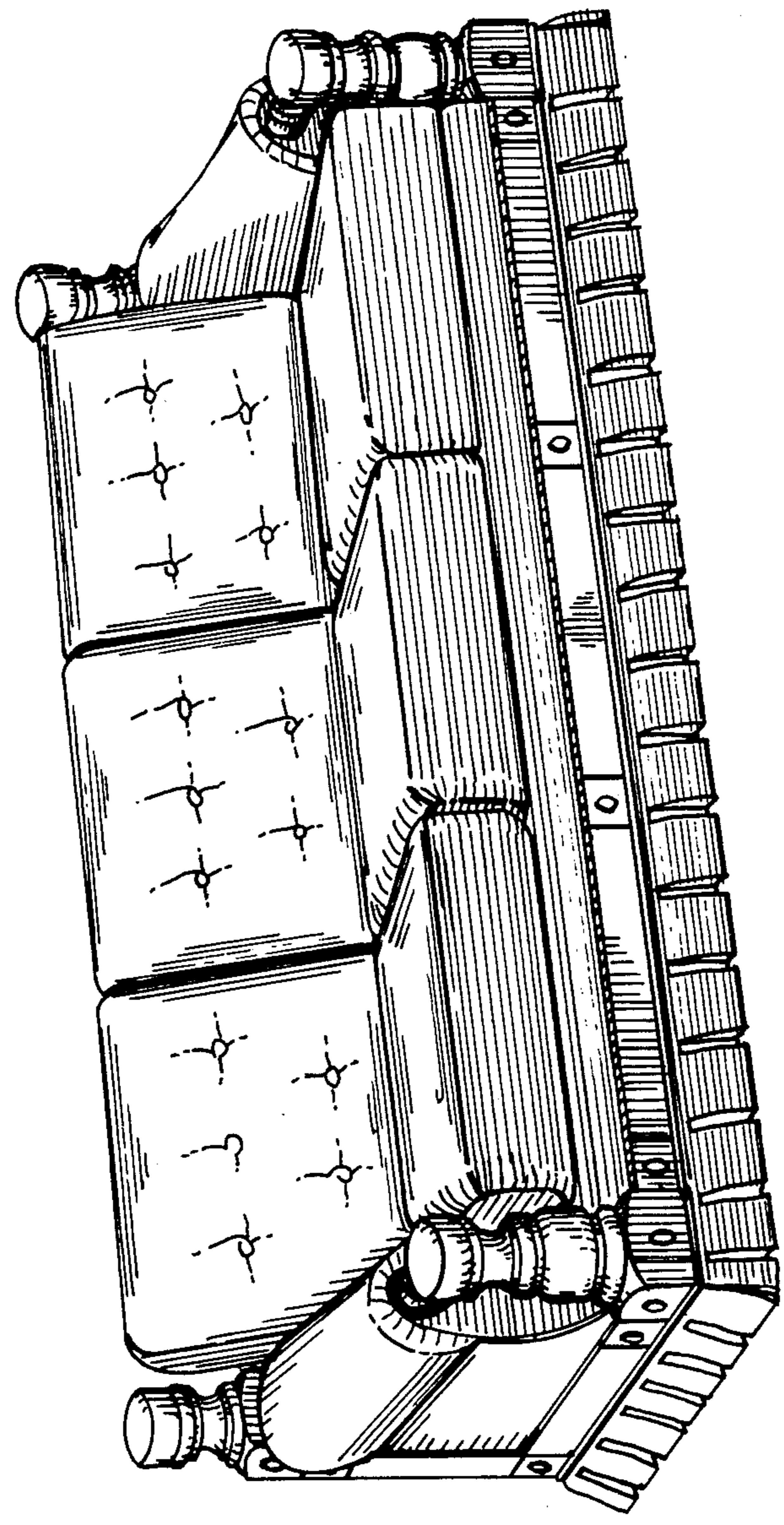


FIG. 1

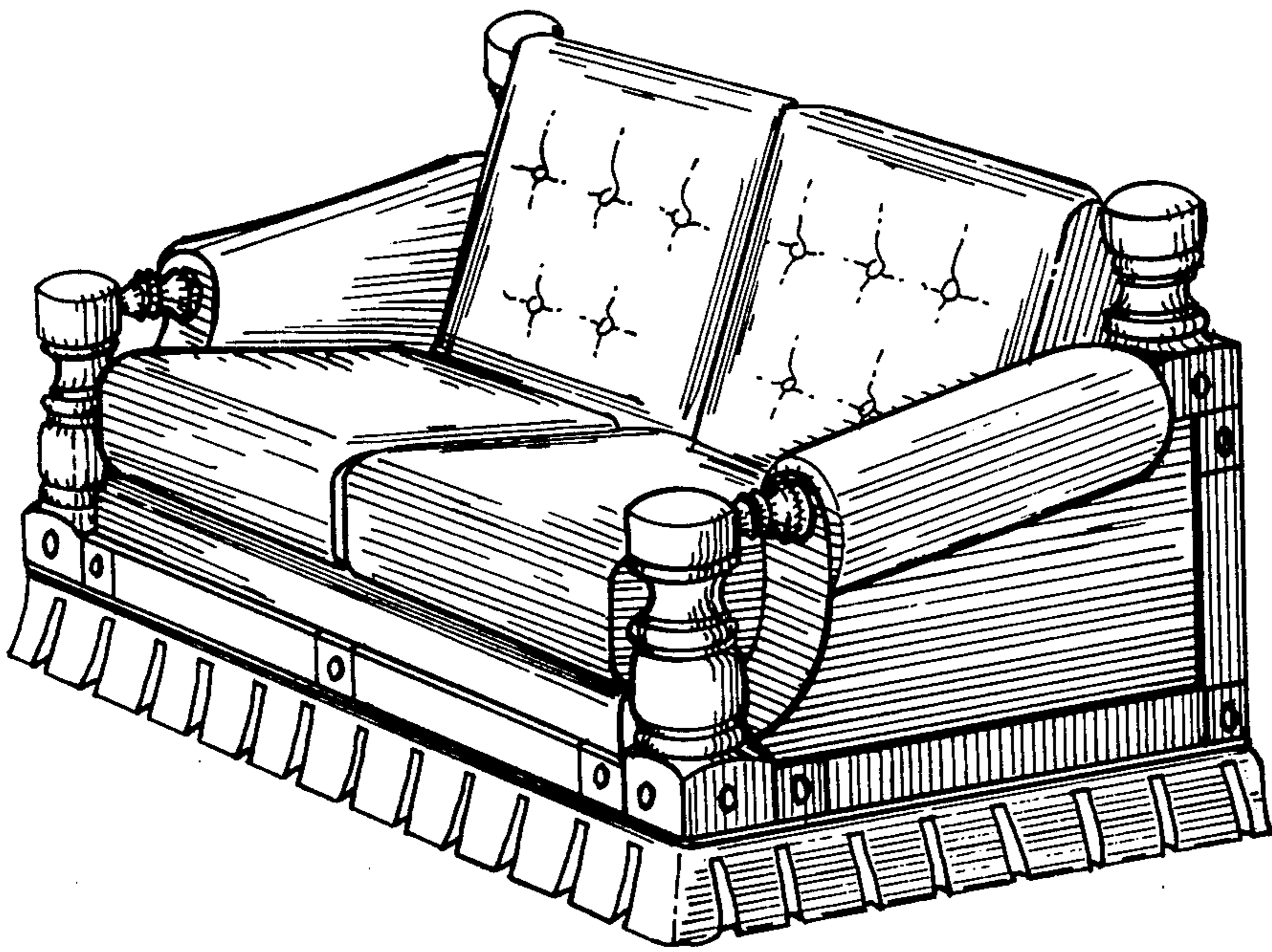


FIG. 2

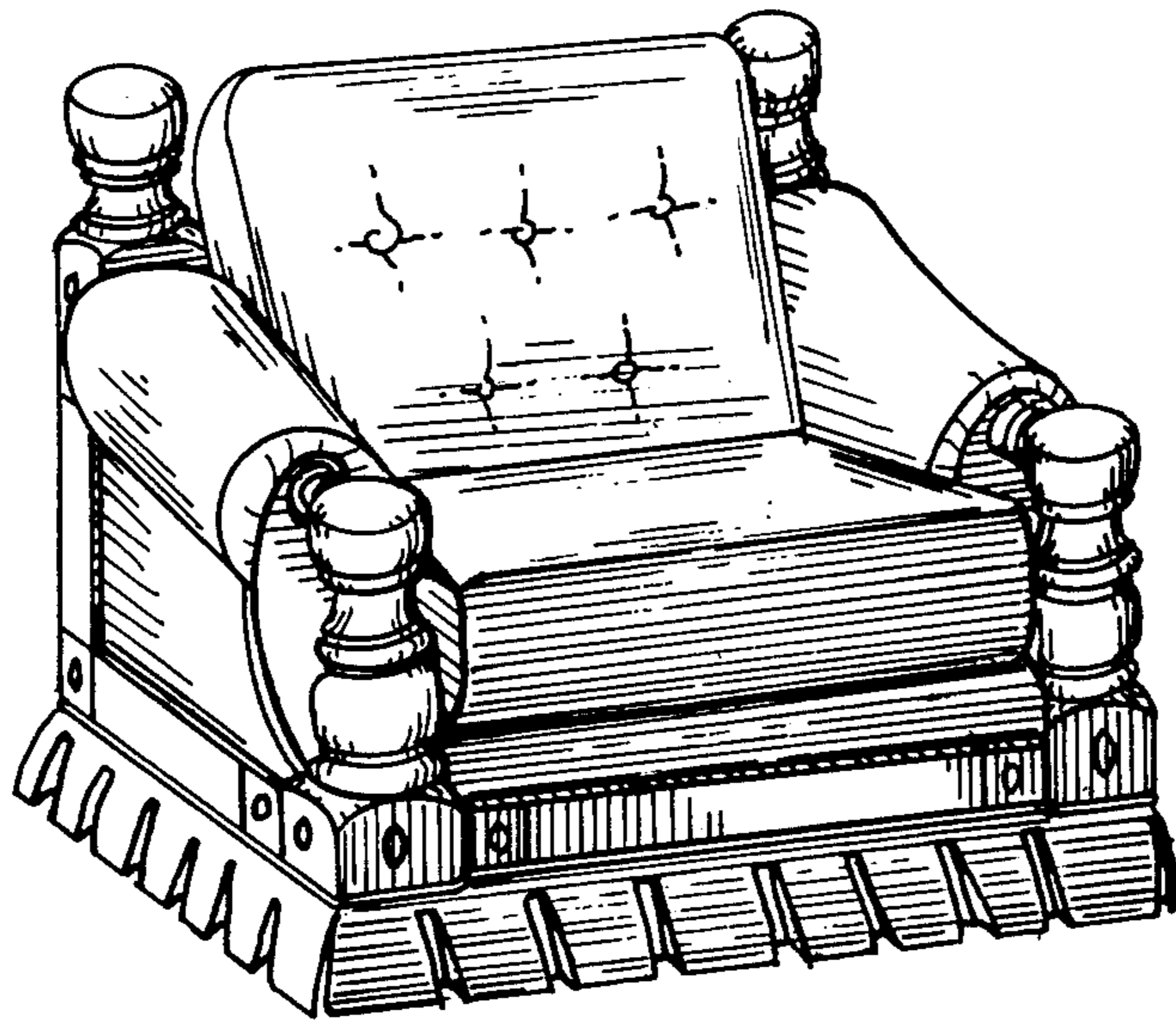


FIG. 3

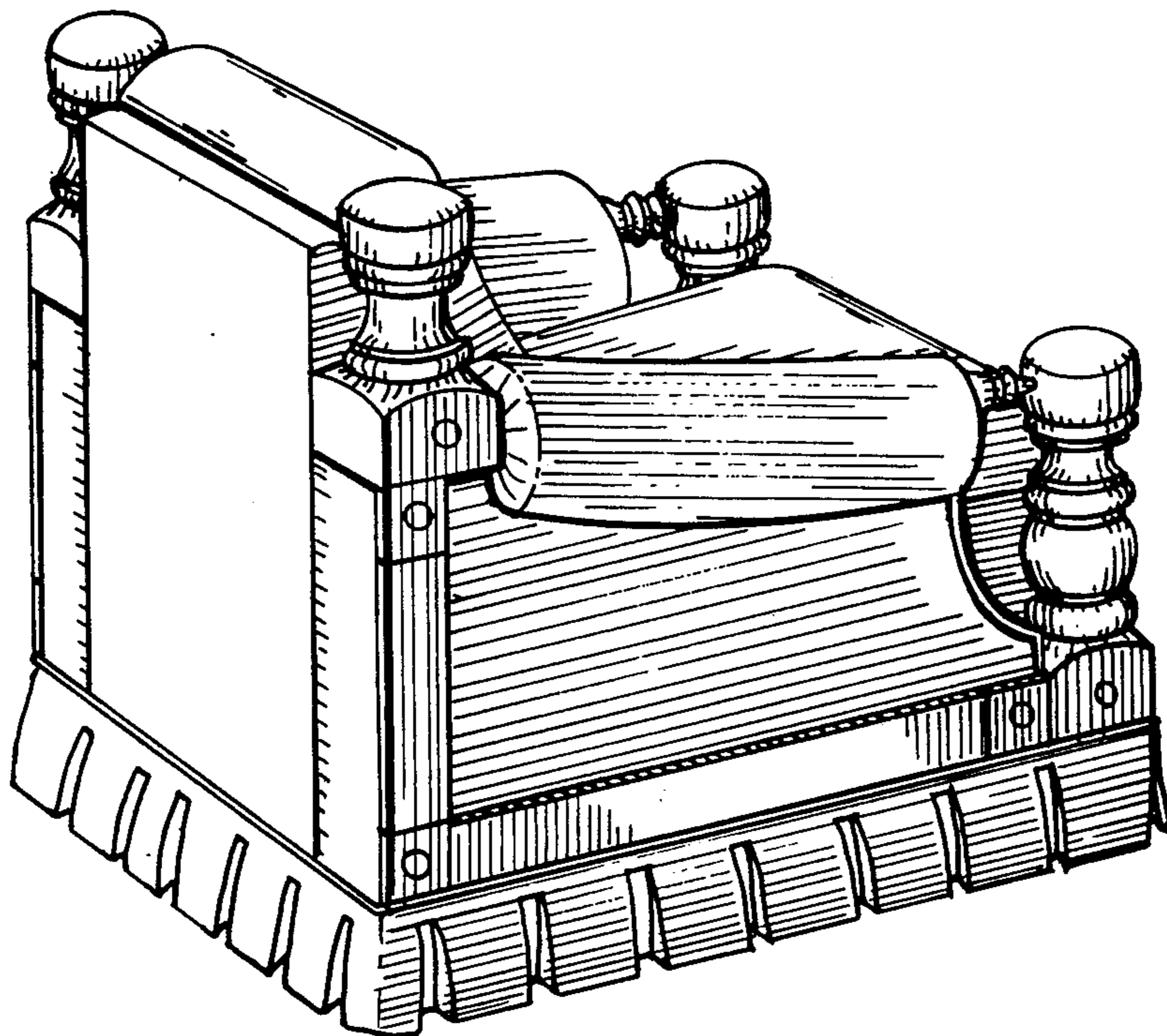


FIG. 4