

[54] **HEATED PET WATER BED**  
 [76] Inventor: **Michael L. Riley, 127 River Woods La., Burnsville, Minn. 55337**  
 [\*\*] Term: **14 Years**  
 [21] Appl. No.: **878,300**  
 [22] Filed: **Feb. 16, 1978**  
 [51] Int. Cl. .... **D30-06**  
 [52] U.S. Cl. .... **D30/41; 119/1**  
 [58] Field of Search ..... **D30/40-99; 119/1; 5/284, 422**

2,842,651 7/1958 Neely ..... 119/1 X  
 3,125,663 3/1964 Hoffman ..... 119/1 X  
 3,736,604 6/1973 Carson, Jr. .... 5/422  
 3,989,008 11/1976 Neumann ..... 119/1

*Primary Examiner*—James R. Largen  
*Attorney, Agent, or Firm*—Everett J. Schroeder

[57] **CLAIM**

The ornamental design for the heated pet water bed, as shown.

**DESCRIPTION**

FIG. 1 is a perspective view of a heated pet water bed showing my new design.  
 FIG. 2 is a top plan view thereof.  
 FIG. 3 is a bottom plan view thereof.  
 FIG. 4 is a front elevational view thereof.  
 FIG. 5 is a rear elevational view thereof.  
 FIG. 6 is a side elevational view thereof.  
 FIG. 7 is an elevational view taken from the side opposite that shown in FIG. 6.

[56] **References Cited**  
**U.S. PATENT DOCUMENTS**  
 D. 124,557 1/1941 Richardson ..... D30/41  
 D. 131,147 1/1942 Richardson ..... D30/41  
 D. 205,216 7/1966 Bell et al. .... D30/41  
 D. 219,743 1/1971 Murray ..... D30/41

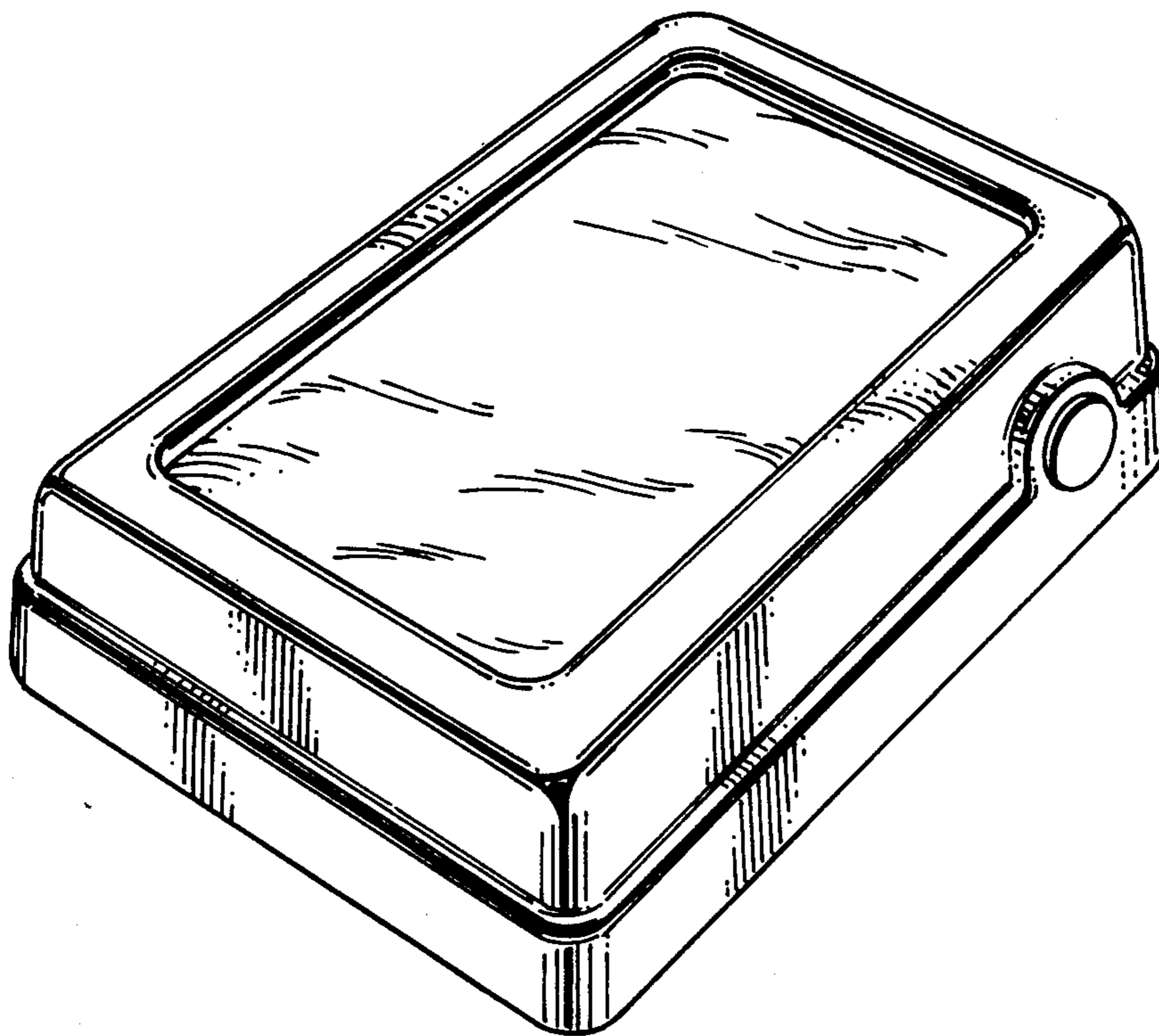


Fig. 1

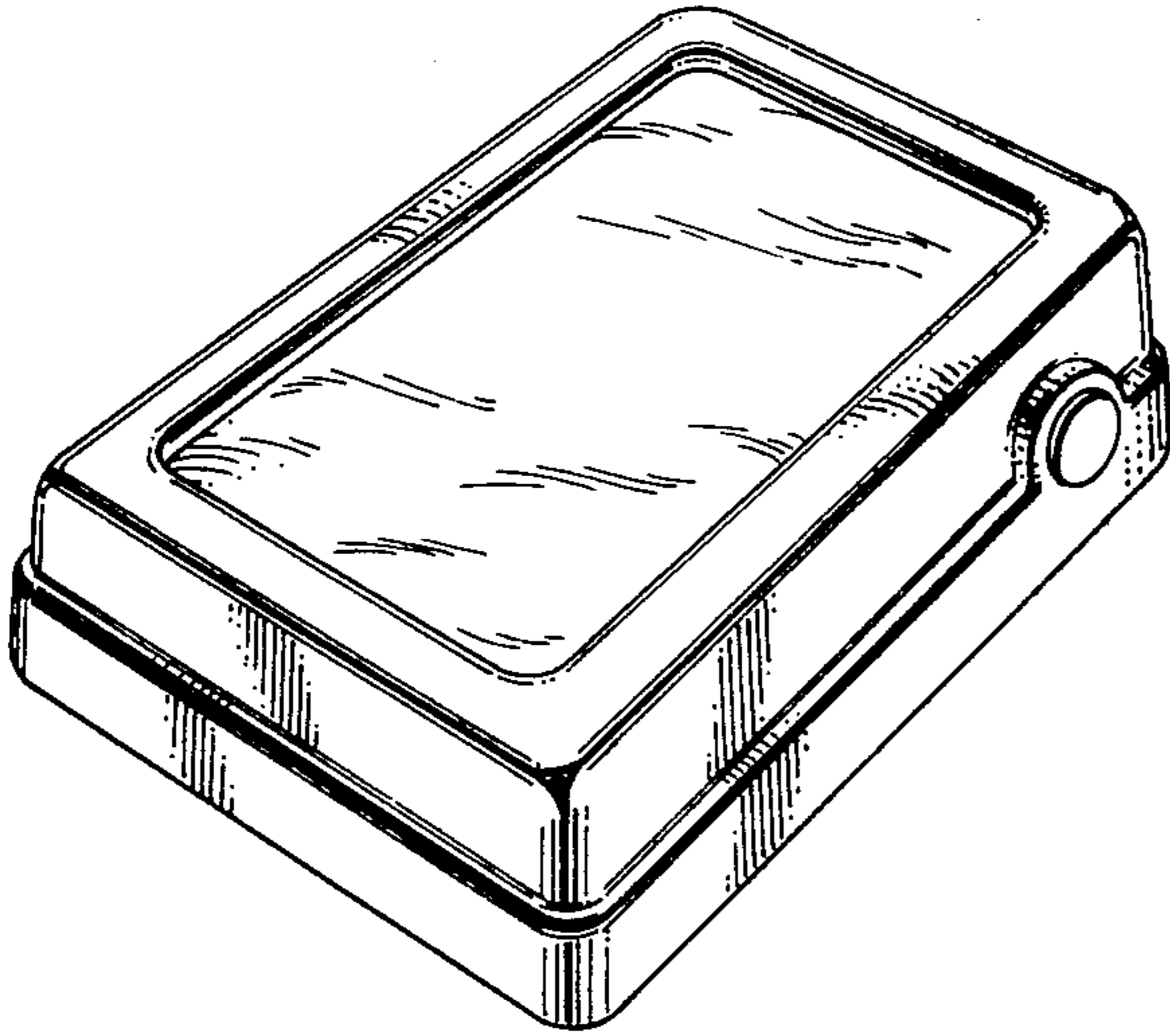


Fig. 2

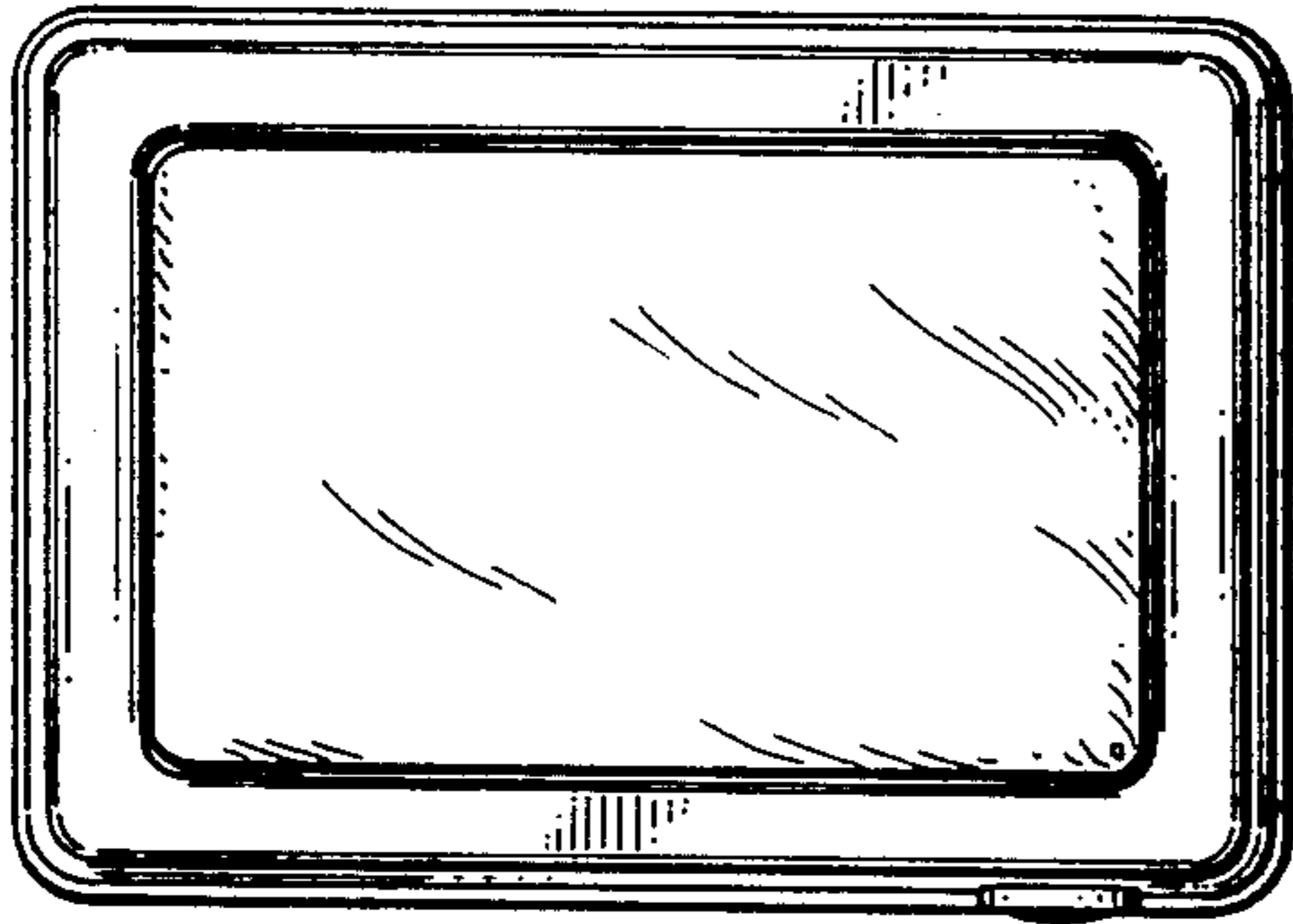


Fig. 4

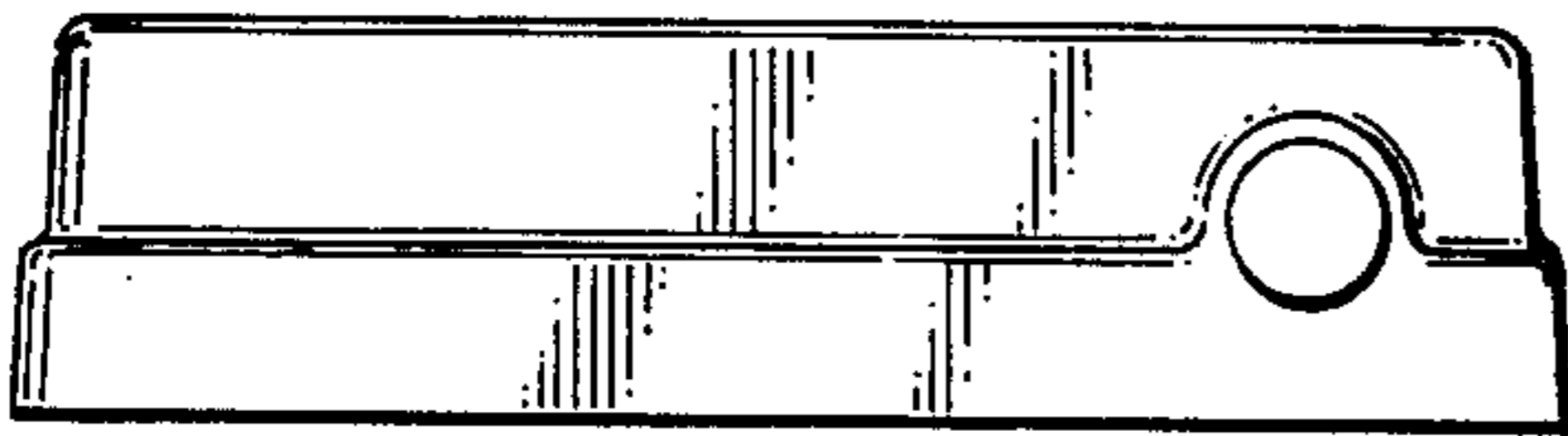


Fig. 6

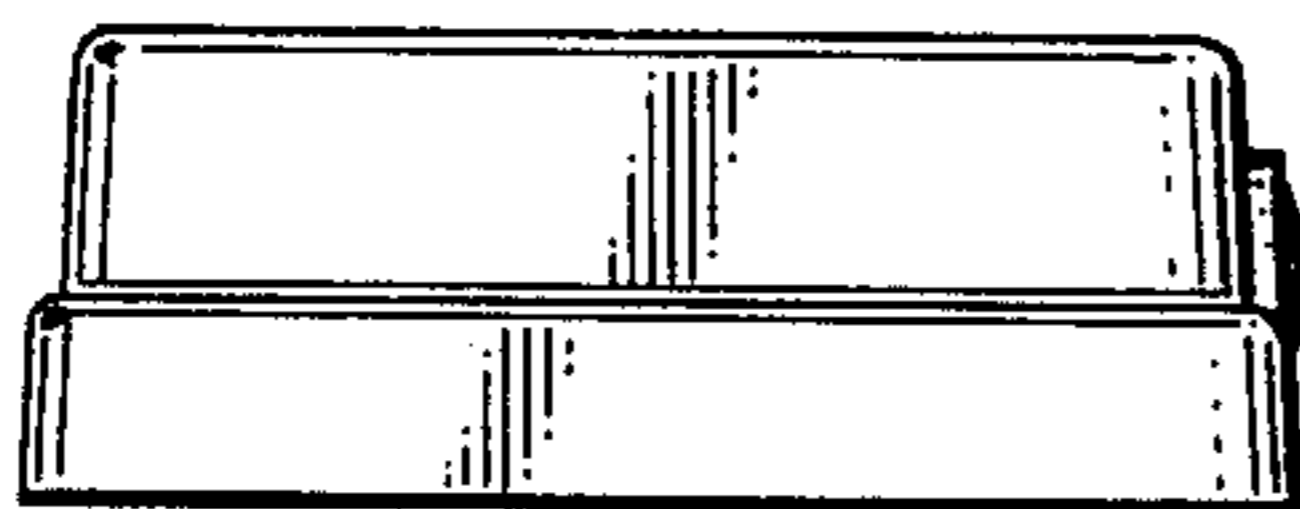


Fig. 3

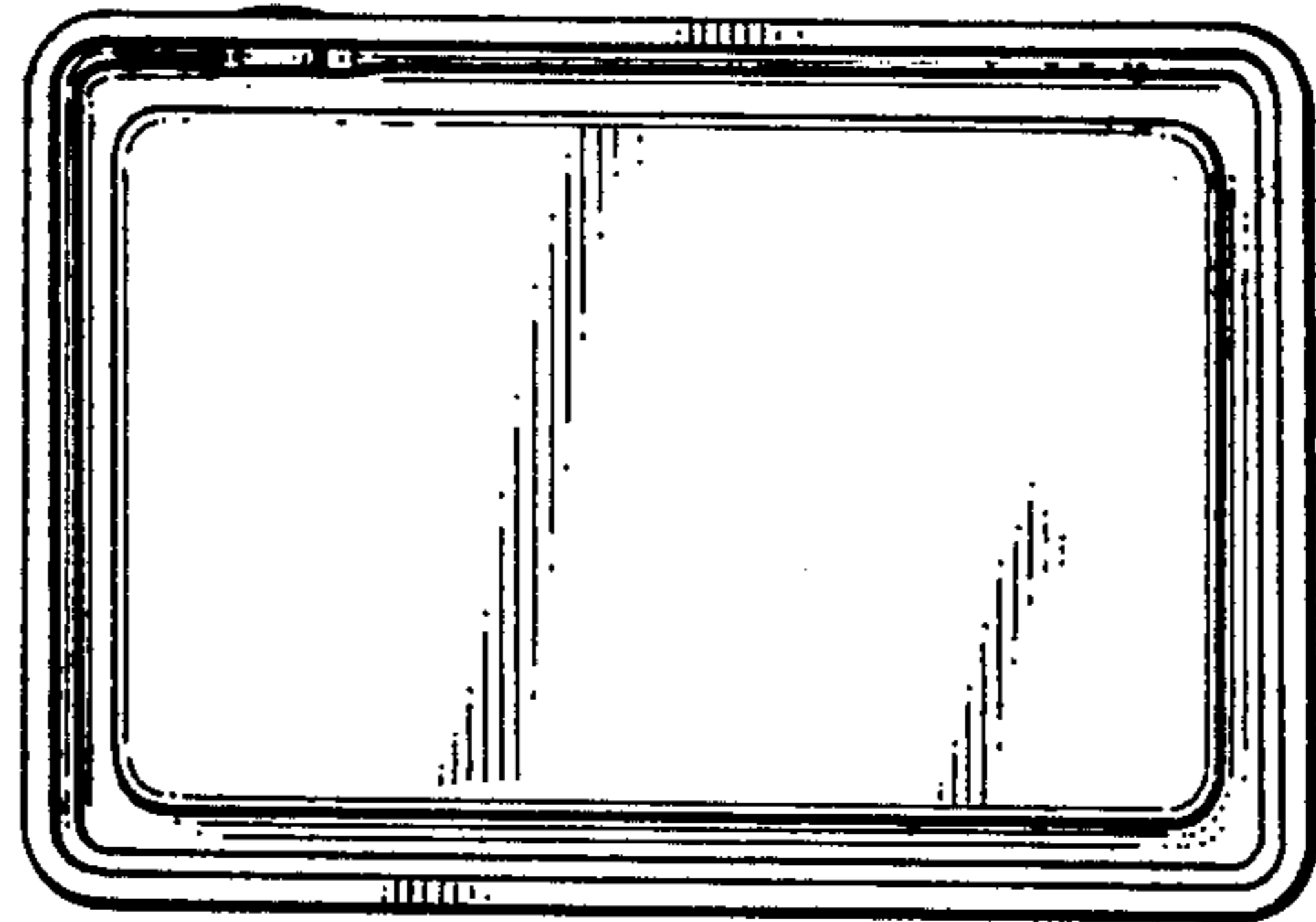


Fig. 5



Fig. 7

