

[54] DECORATIVE WINDOW MUNTIN, OR THE LIKE

3,946,531 3/1976 Armstrong 52/456
4,145,858 3/1979 Dovman 52/456

[76] Inventor: David T. Carlson, 923 S. Cardiff, Anaheim, Calif. 92805

Primary Examiner—A. Hugo Word
Attorney, Agent, or Firm—Warren T. Jessup

[**] Term: 14 Years

[57] CLAIM

[21] Appl. No.: 925,017

The ornamental design for a decorative window muntin, or the like, substantially as shown and described.

[22] Filed: Jul. 17, 1978

DESCRIPTION

[51] Int. Cl. D25—02

[52] U.S. Cl. D25/52; D25/79; D25/91

[58] Field of Search 52/456, 311, 656, 668, 52/475; D25/52, 79, 80, 82, 91, 97, 74; 49/501

FIG. 1 is a perspective view of an ornamental design for a decorative window muntin or the like with a window being shown for illustrative purposes only.

FIG. 2 is a front elevational view thereof.

FIG. 3 is a left side view thereof.

FIG. 4 is a right side elevation thereof.

FIG. 5 is a top plan view thereof.

FIG. 6 is a bottom plan view thereof.

FIG. 7 is a sectional view taken at 7—7 of FIG. 5.

[56] References Cited

U.S. PATENT DOCUMENTS

3,552,077 1/1971 Hemminger 52/456 X

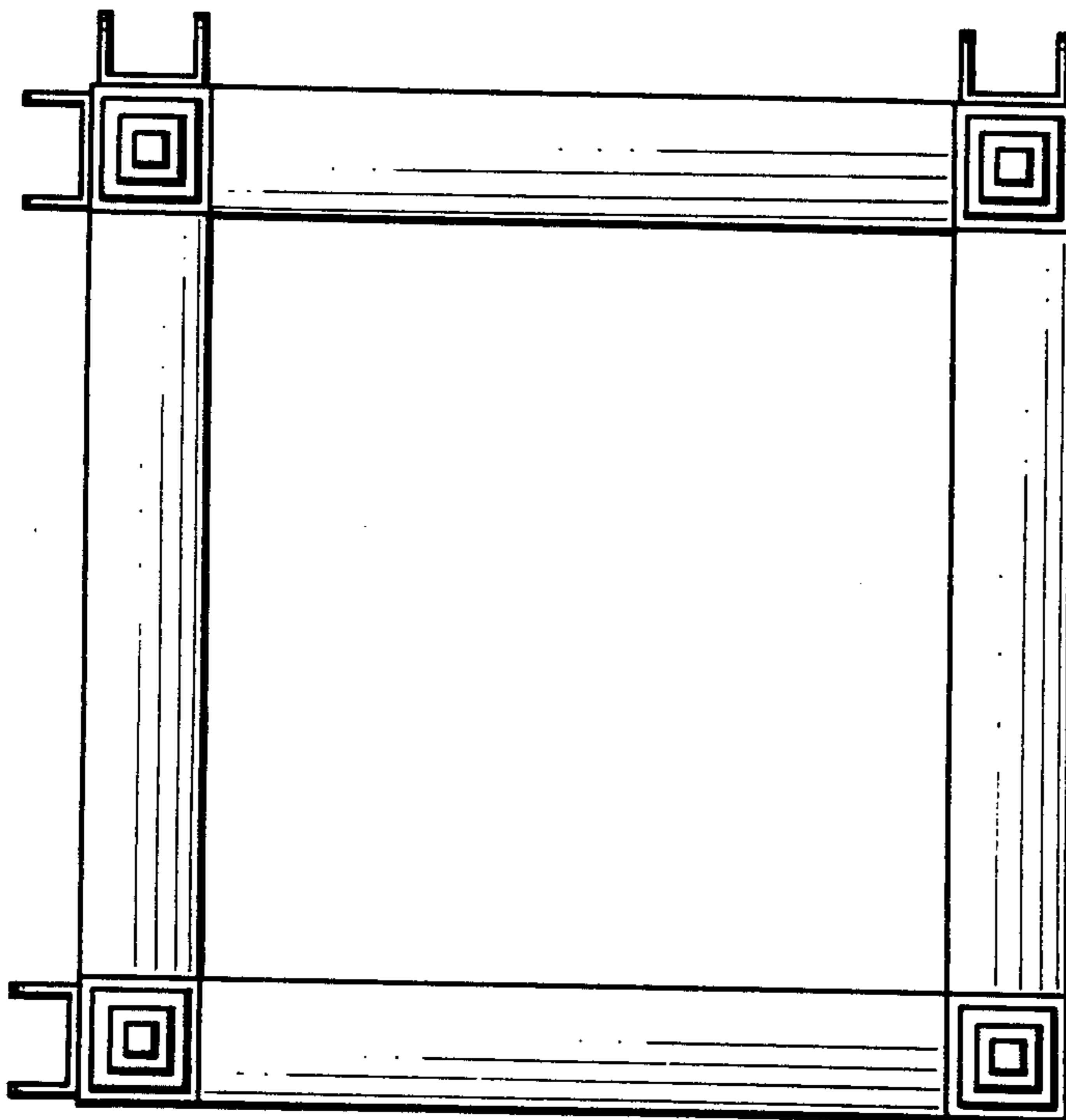


Fig. 1.

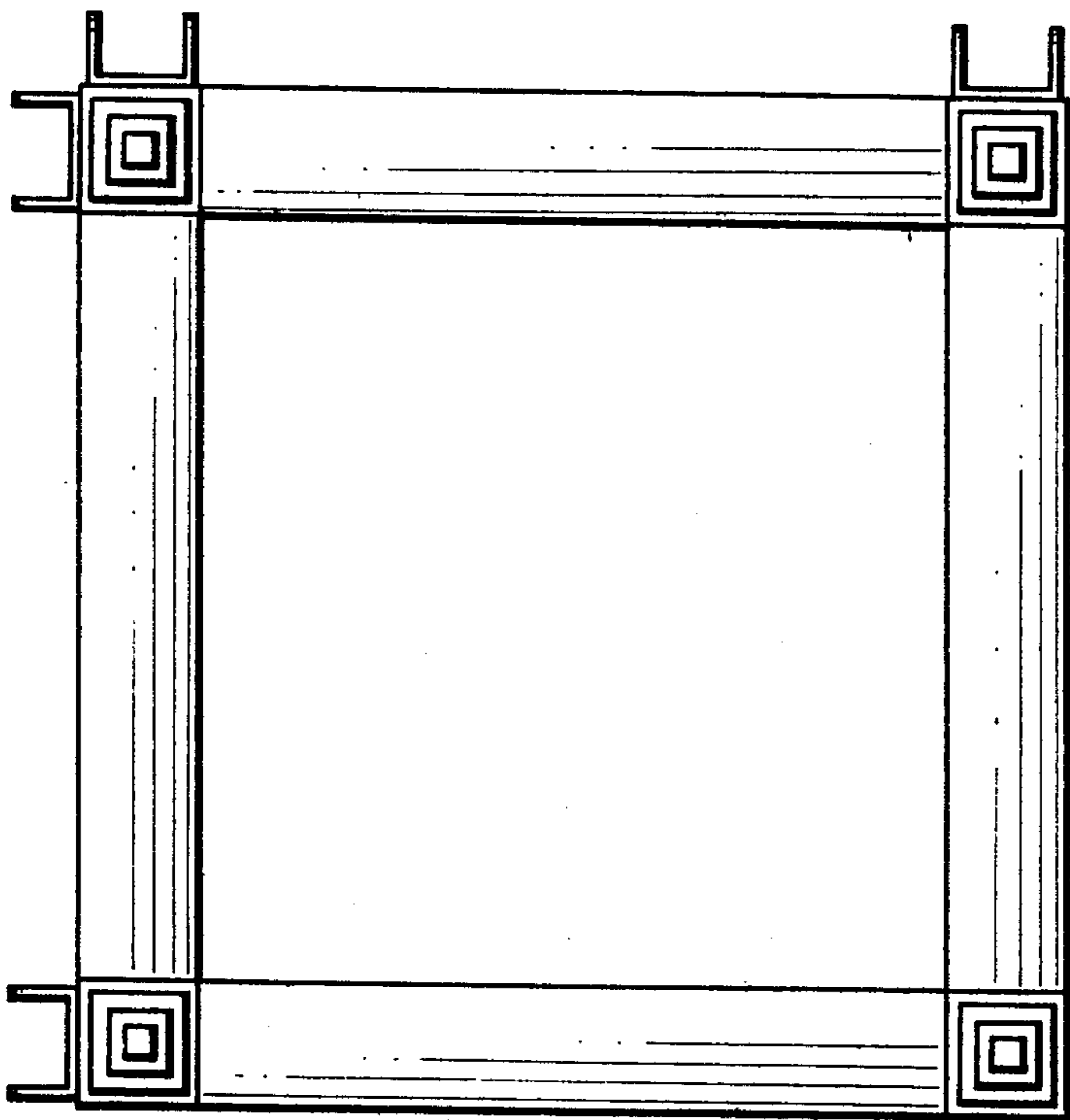
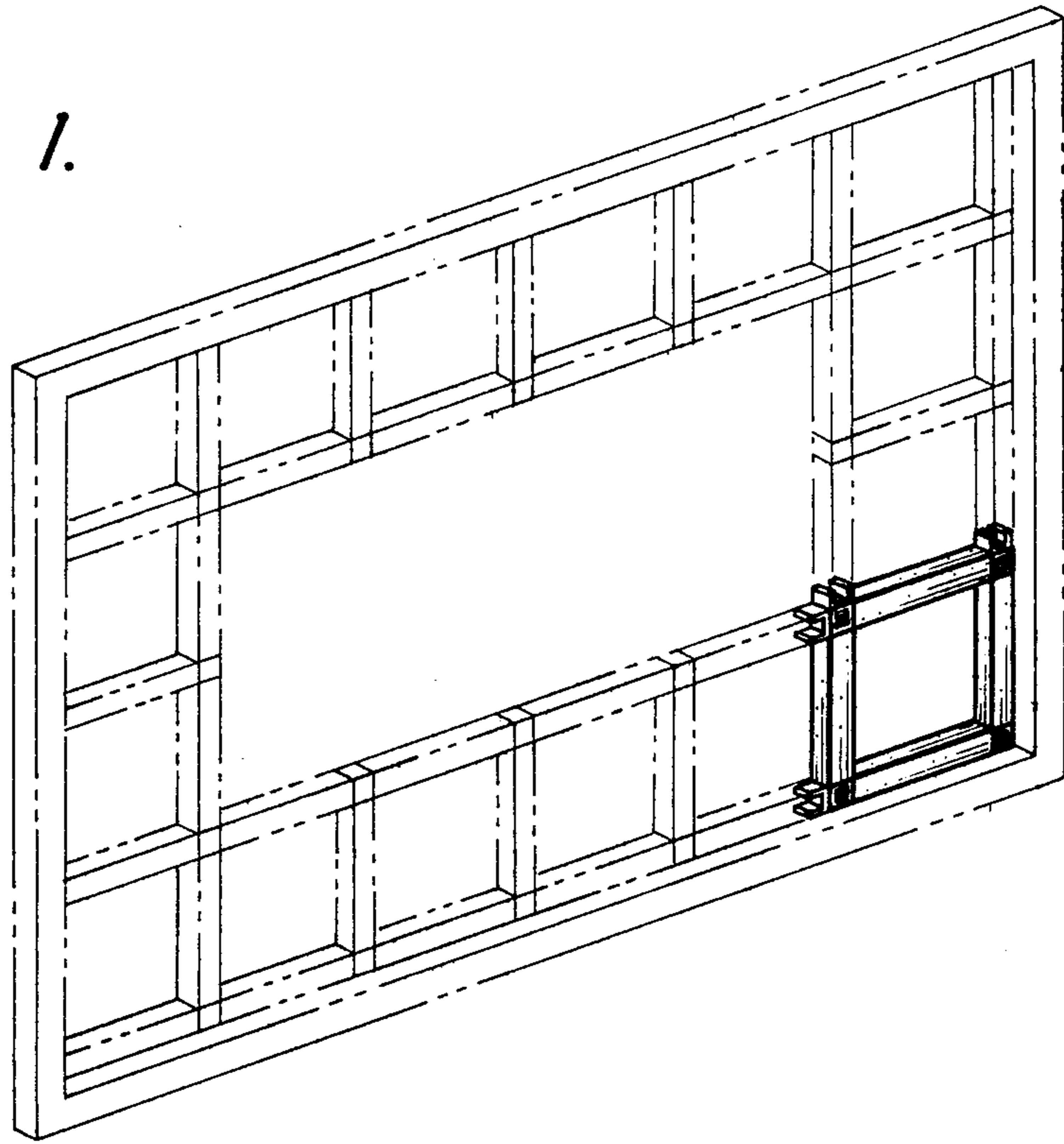


Fig. 2.

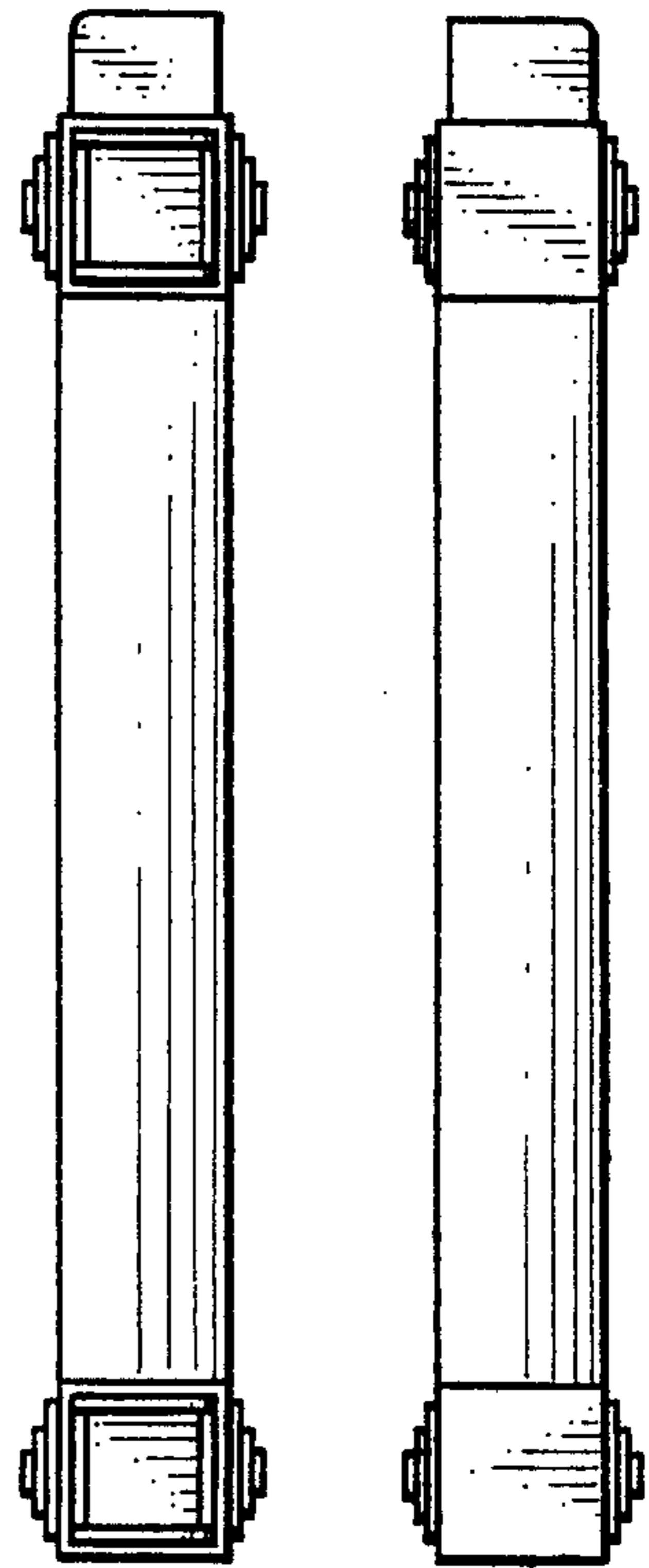


Fig. 3. Fig. 4.

