

[54] TOILET

[75] Inventors: Charles L. Sargent; Frank T. Sargent; Arthur W. Henke, all of Ann Arbor, Mich.

[73] Assignee: Thetford Corporation, Ann Arbor, Mich.

[**] Term: 14 Years

[21] Appl. No.: 963,020

[22] Filed: Nov. 22, 1978

[51] Int. Cl. D23-02

[52] U.S. Cl. D23/67

[58] Field of Search D23/48-50, D23/65-67; 4/115, 317-323, 440-442

[56] References Cited

U.S. PATENT DOCUMENTS

- D. 233,150 10/1974 Workman D23/67
- D. 236,206 8/1975 McHose D23/67

- D. 238,577 1/1976 Hewson D23/48
- D. 250,344 11/1978 Sargent et al. D23/48
- 3,798,681 3/1974 Johansen 4/440
- 3,883,903 5/1975 Brock et al. 4/440
- 3,939,500 2/1976 Miller et al. 4/442
- 4,032,996 7/1977 Sargent et al. 4/441
- 4,041,554 8/1977 Gregory et al. 4/316 X
- 4,142,261 3/1979 Johansen 4/442
- 4,155,129 5/1979 Russel 4/442
- 4,185,340 1/1980 Sargent et al. 4/441

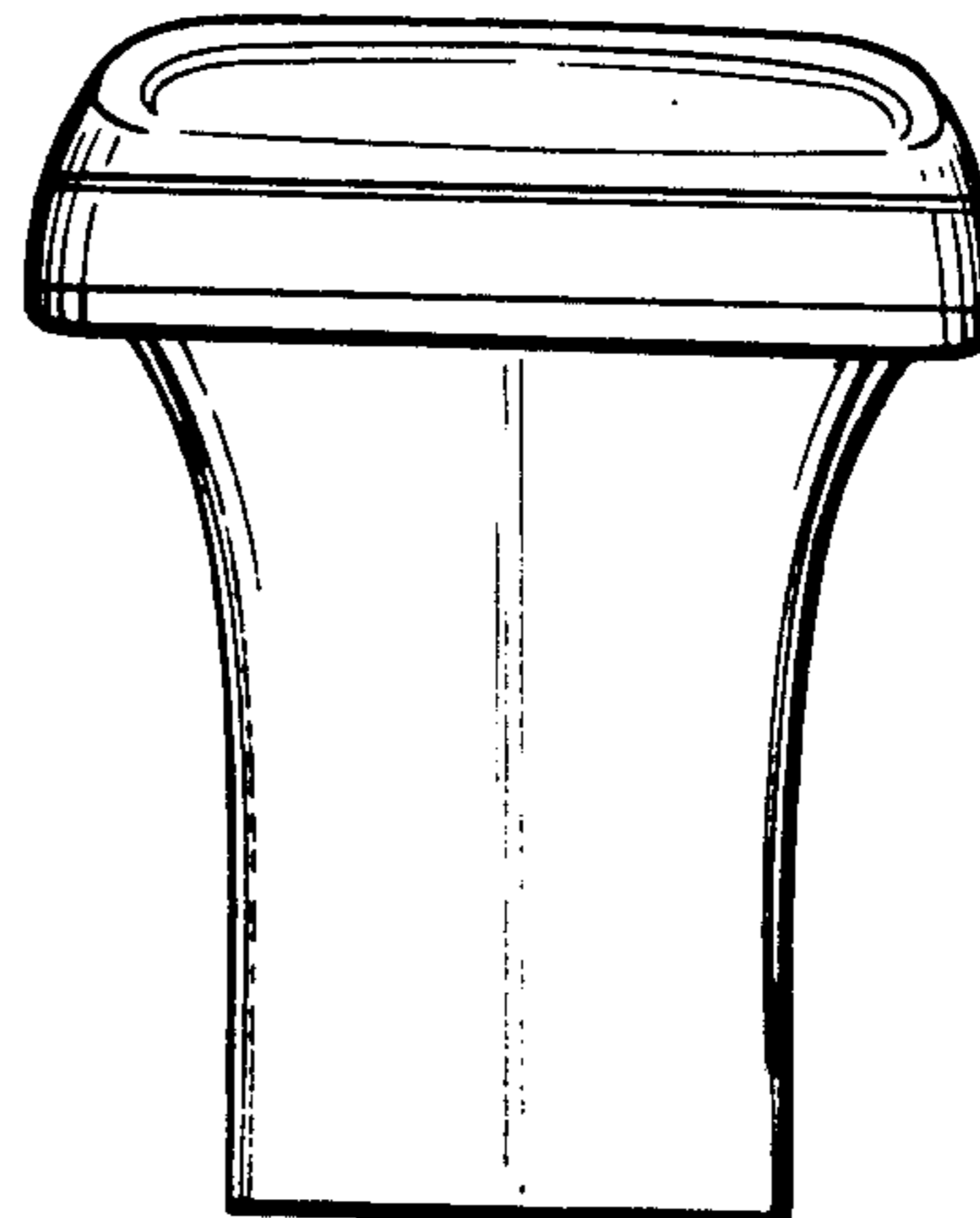
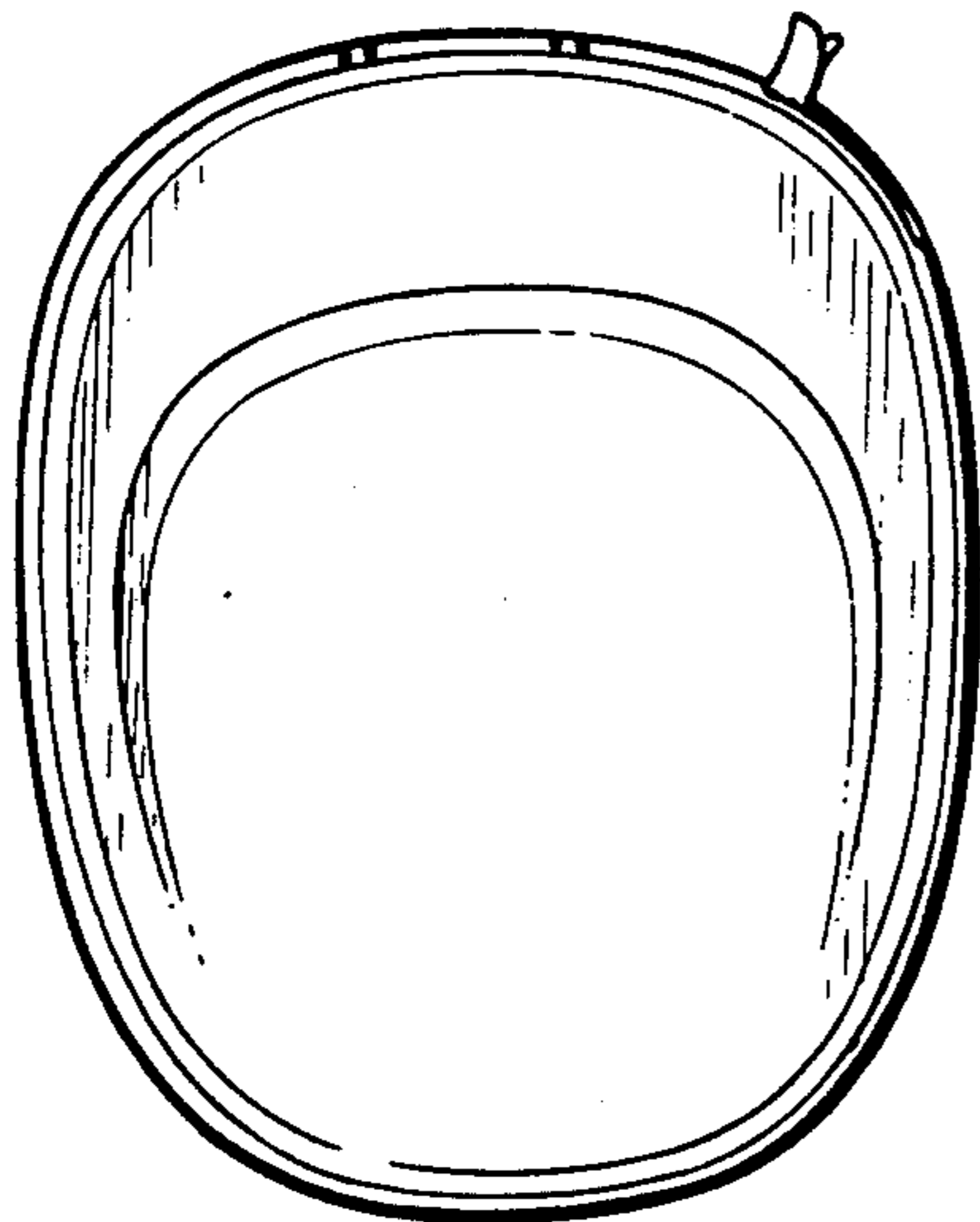
Primary Examiner—James R. Largen
Attorney, Agent, or Firm—Finn G. Olsen

[57] CLAIM

The ornamental design for a toilet, as shown.

DESCRIPTION

FIG. 1 is a top plan view of a toilet, showing our new design;
FIG. 2 is a front elevational view thereof;
FIG. 3 is a left side elevational view thereof;
FIG. 4 is a right side elevational view thereof; and
FIG. 5 is a rear elevational view thereof.



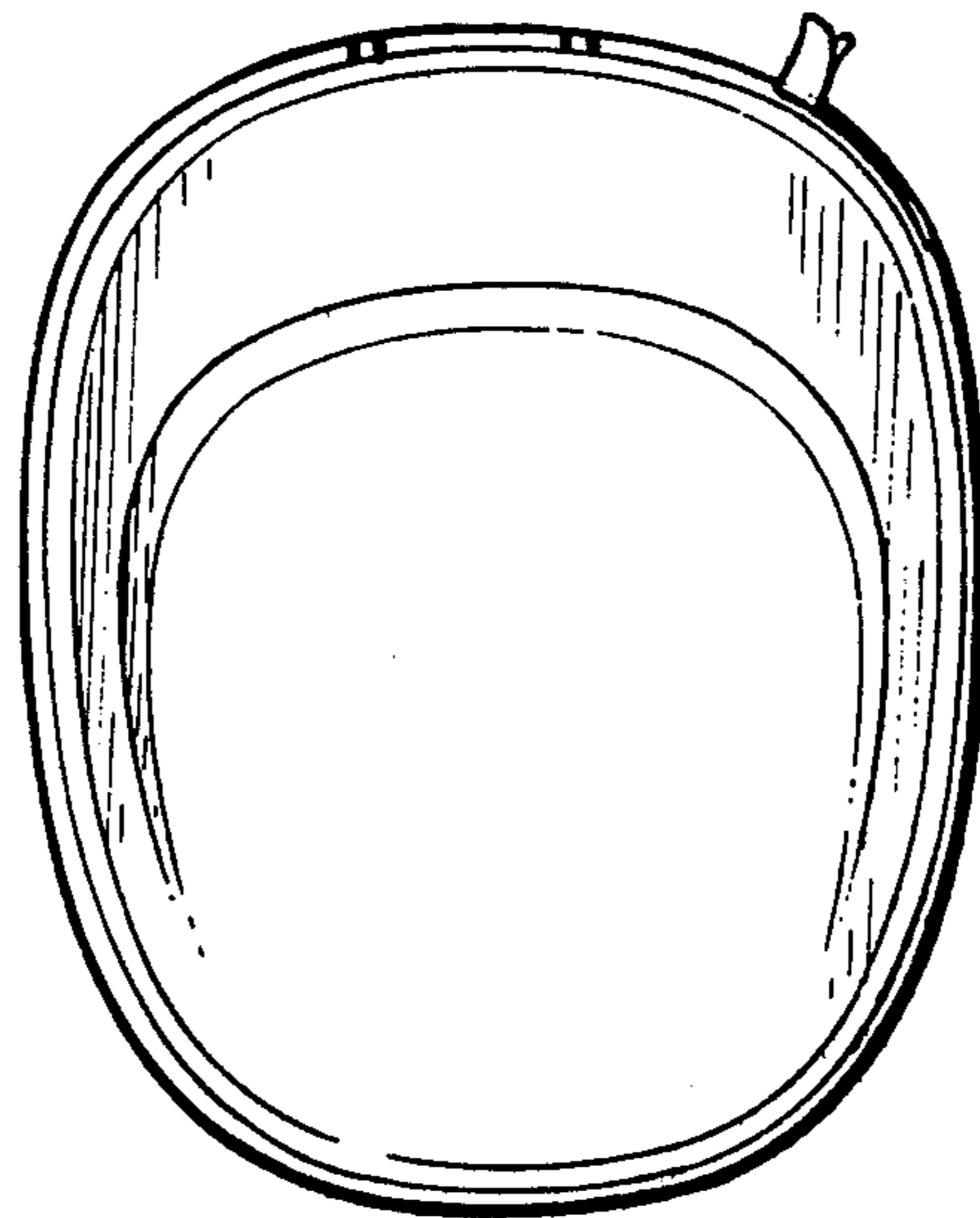


Fig-1

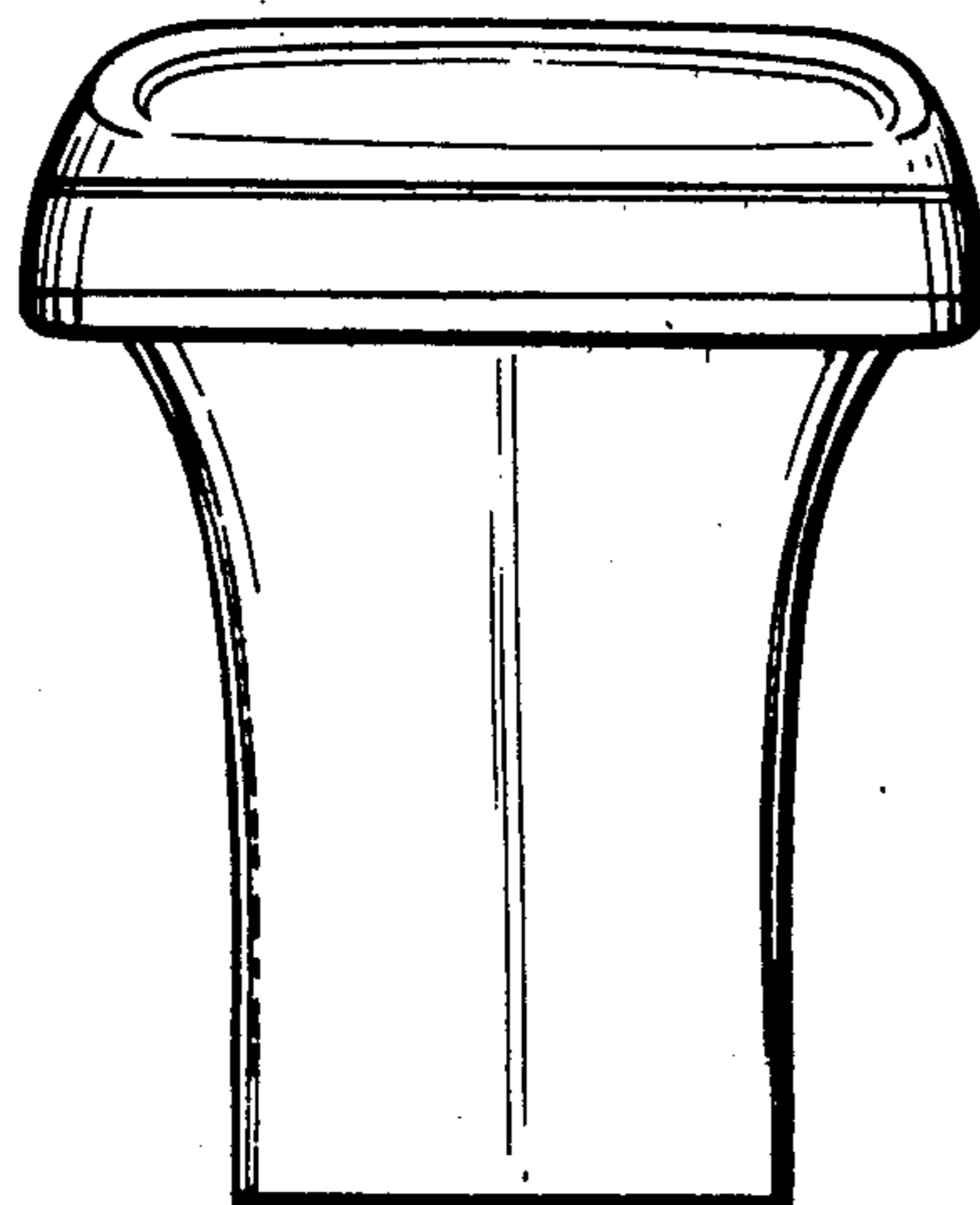


Fig-2

Fig-3

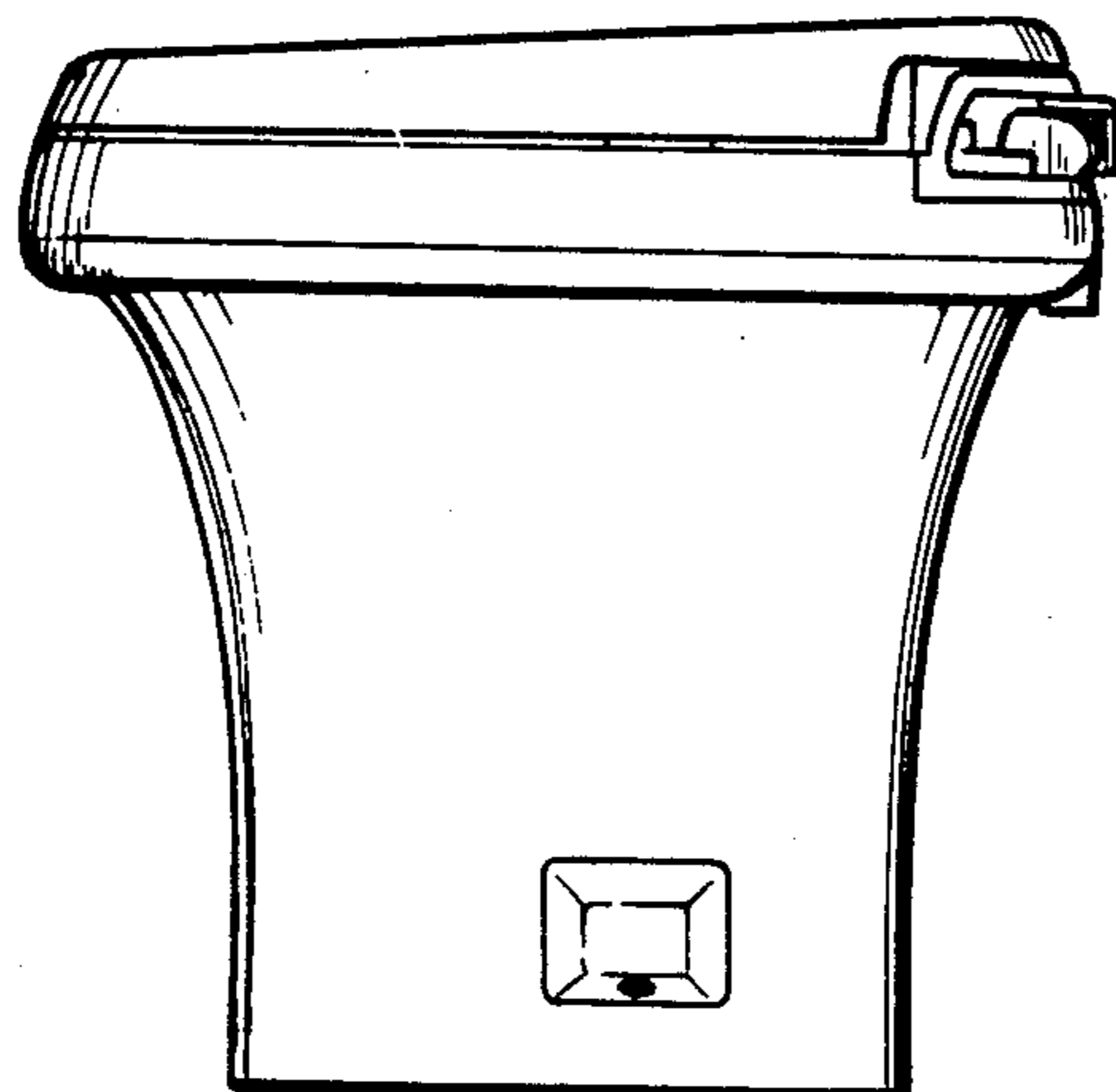
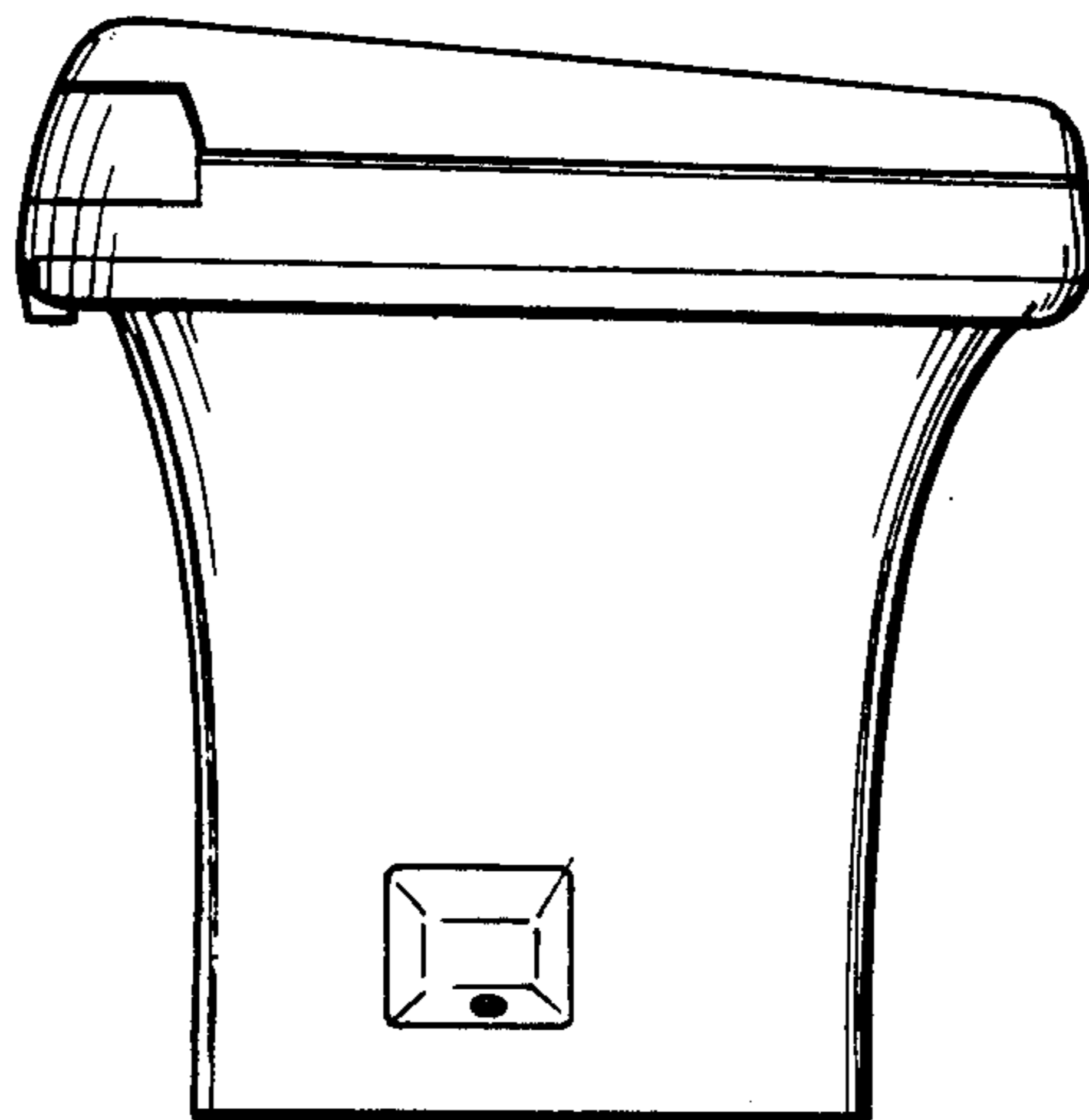


Fig-4

Fig-5

