

[54] FLUID NOZZLE FOR HIGH-VELOCITY  
FLUID STREAMS

[76] Inventor: John D. Watson, 906 E. Harmony  
La., Fullerton, Calif. 92631

[\*\*] Term: 14 Years

[21] Appl. No.: 905,644

[22] Filed: May 15, 1978

[51] Int. Cl. .... D23-01

[52] U.S. Cl. .... D23/35

[58] Field of Search ..... D23/34-40,  
D23/35; 239/289, 290, 290.3, 290.5

[56] References Cited

U.S. PATENT DOCUMENTS

- D. 105,942 9/1937 Frame ..... D23/35
- D. 252,819 9/1979 Watson ..... D23/34

- 2,999,648 9/1961 Wahlin et al. .... 239/590.5 X
- 3,273,805 9/1966 Hall ..... 239/590.3
- 3,533,562 10/1970 Blakely et al. .... 239/590.5 X
- 3,581,992 6/1971 Huges ..... 239/590.5 X

Primary Examiner—James R. Largen  
Attorney, Agent, or Firm—Francis X. LoJacono, Sr.

[57] CLAIM

The ornamental design for a fluid nozzle for high-velocity fluid streams, as shown.

DESCRIPTION

FIG. 1 is a perspective view of a fluid nozzle for high-velocity fluid streams showing my new design; FIG. 2 is a rear-elevational view thereof; FIG. 3 is an elevational view taken from the side opposite that shown in FIG. 1; FIG. 4 is a bottom plan view thereof; and FIG. 5 is a top plan view thereof.

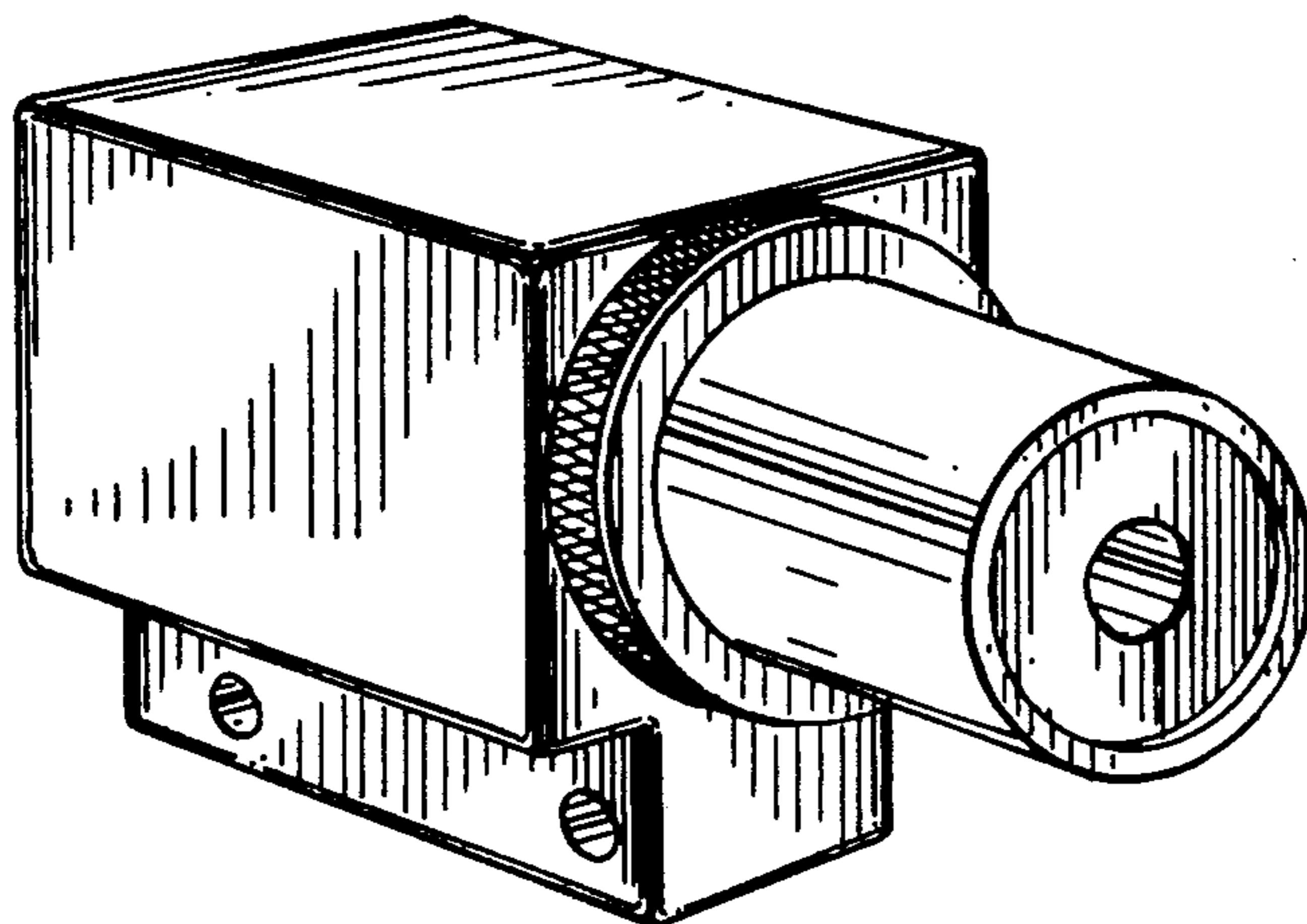


FIG. 1

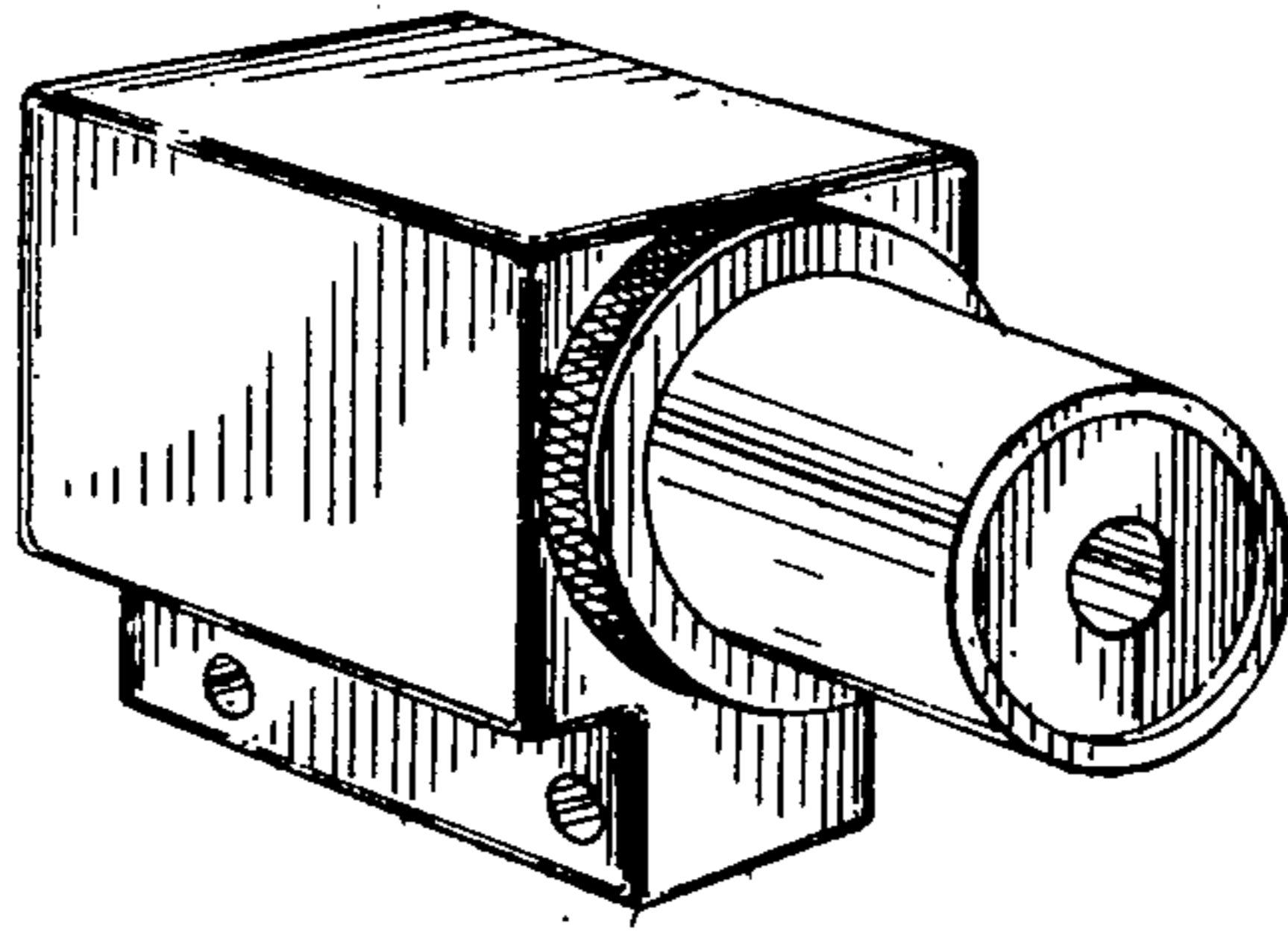


FIG. 2

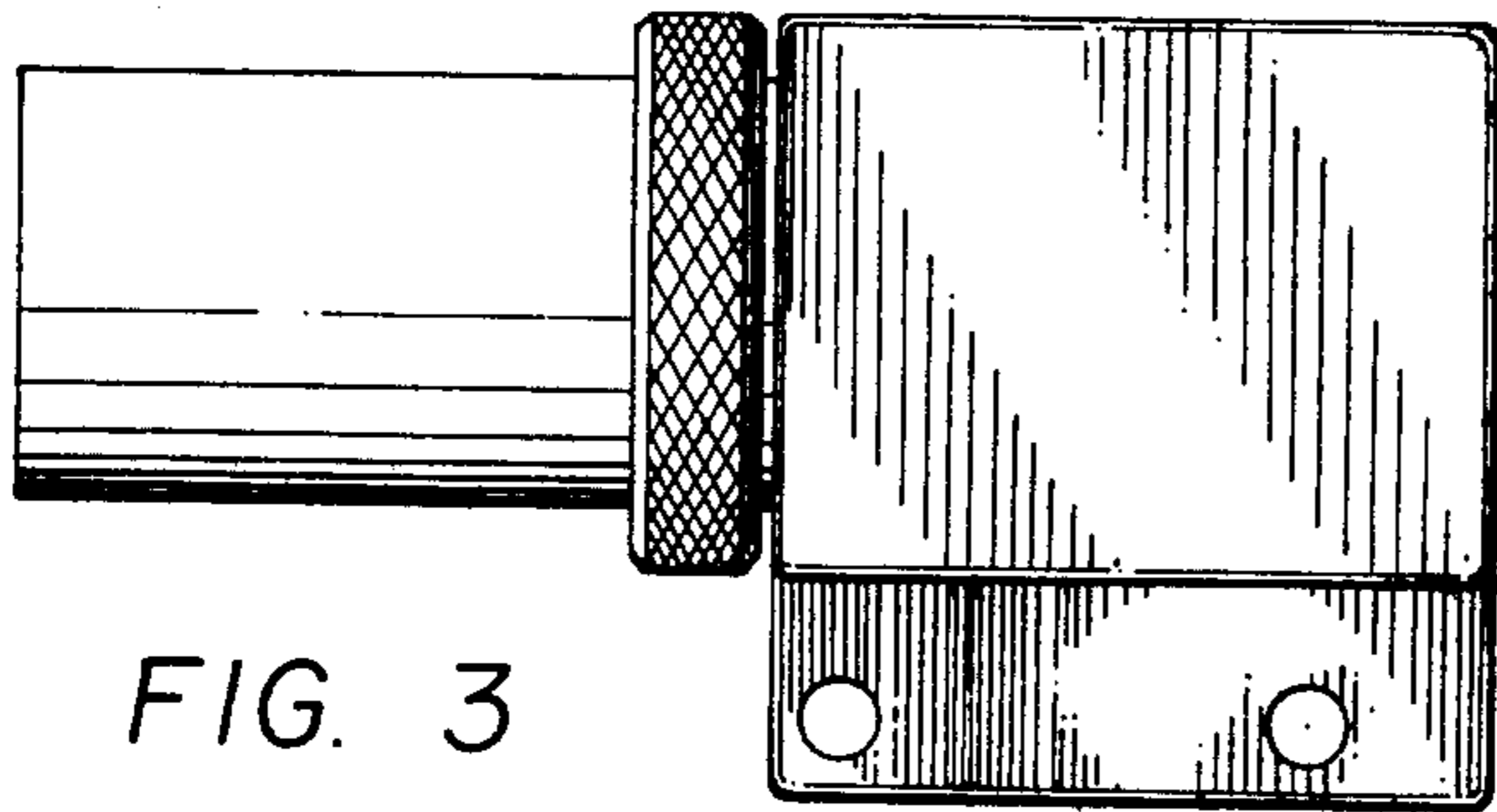
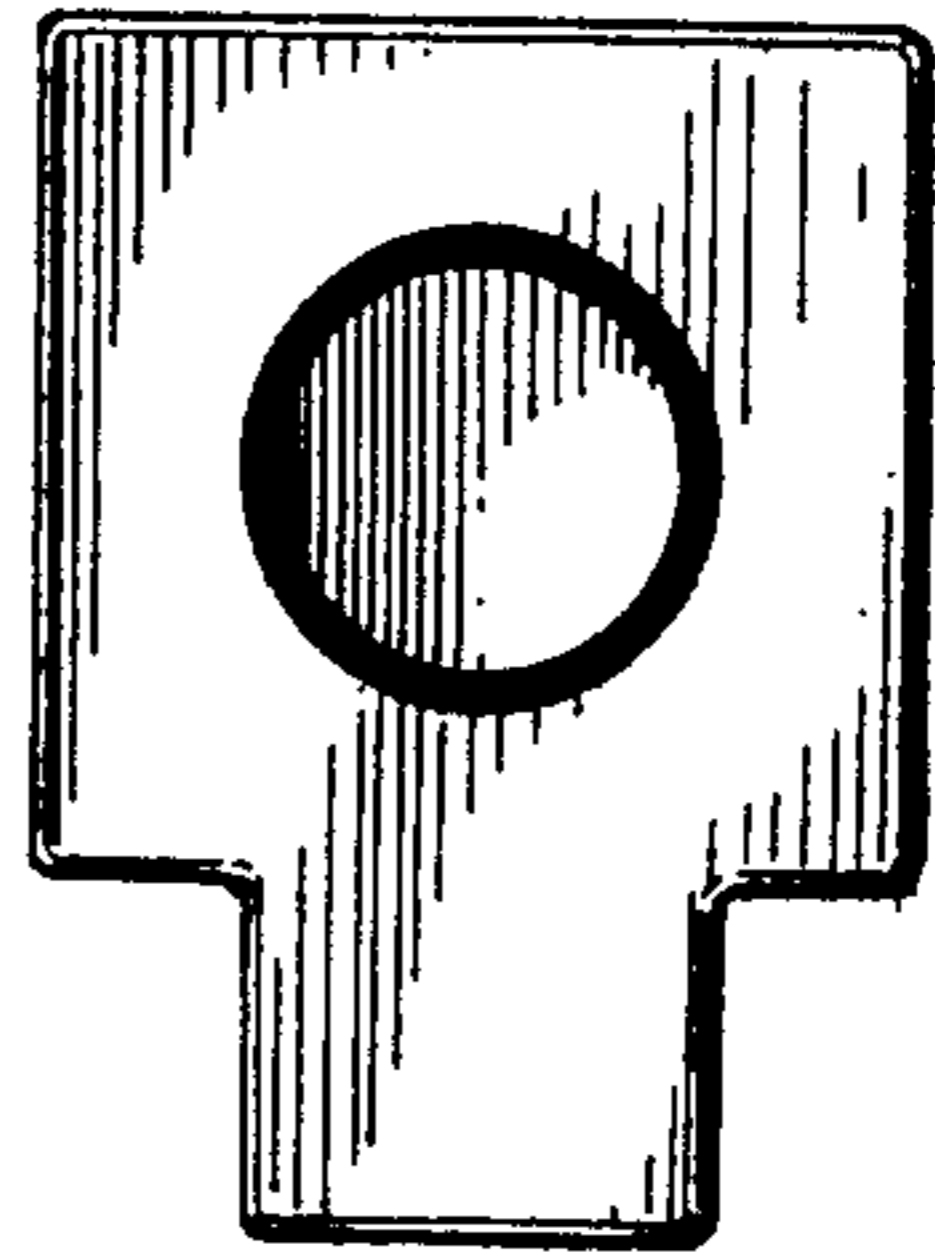


FIG. 3

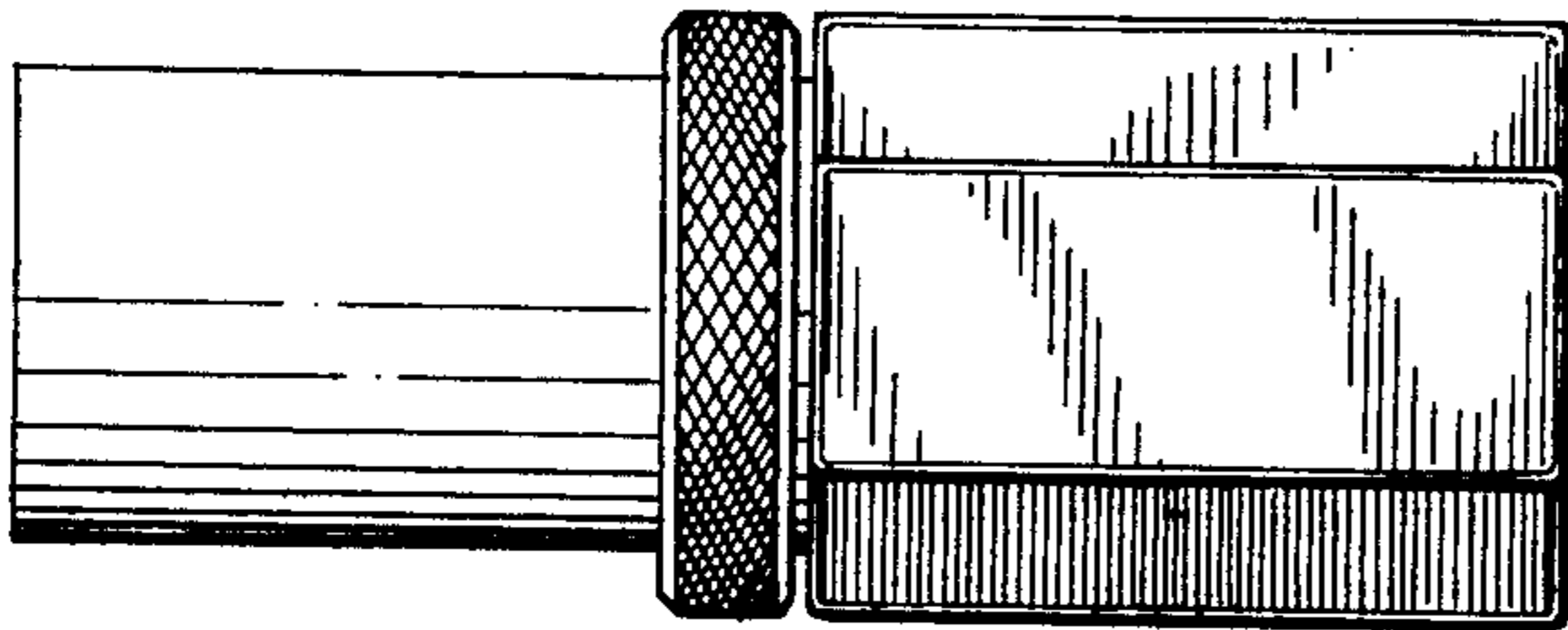


FIG. 4

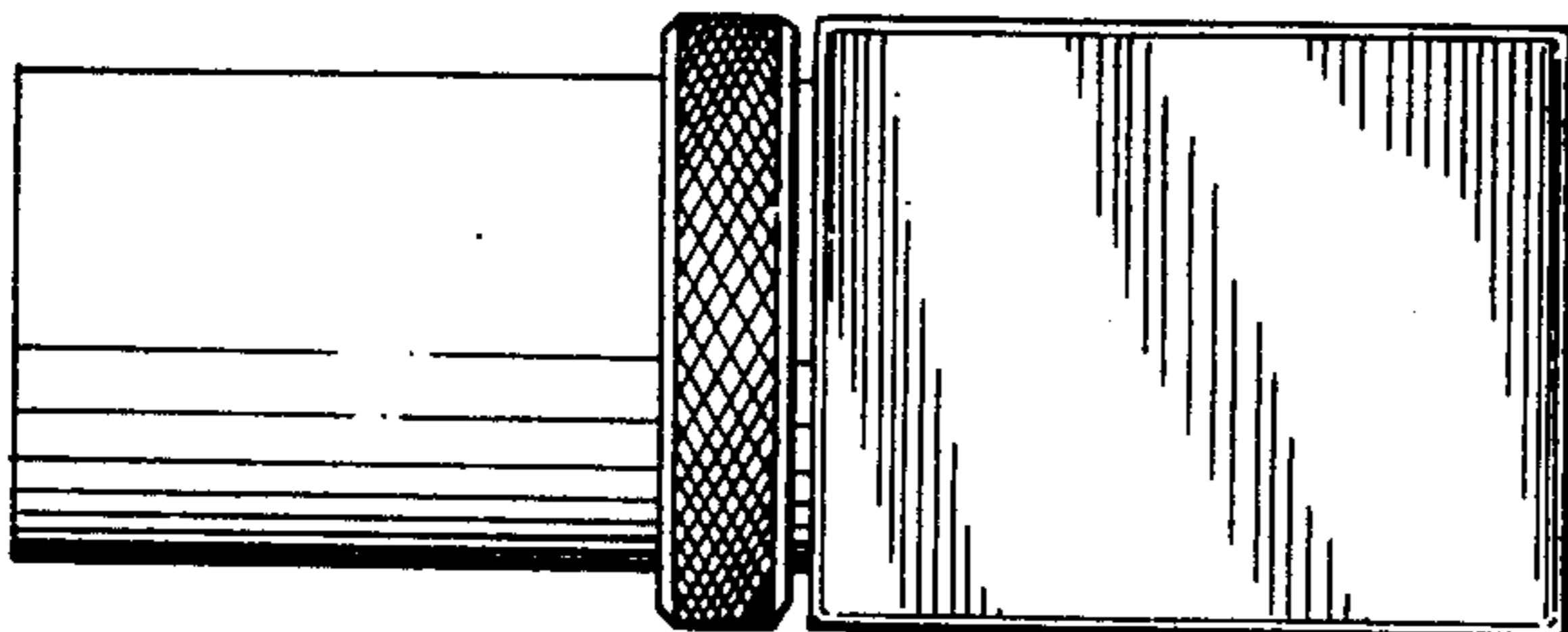


FIG. 5