

[54] **PORTABLE WATER PURIFIER**
 [76] Inventor: **Jack G. Rose, 1935 SE. Washington, Milwaukee, Oreg. 97222**
 [**] Term: **7 Years**
 [21] Appl. No.: **877,421**
 [22] Filed: **Feb. 13, 1978**
 [51] Int. Cl. **D23—01**
 [52] U.S. Cl. **D23/3**
 [58] Field of Search **D23/1-4, D23/3; 210/136, 169, 198, 205, 206, 282, 501**

D. 240,531	7/1976	Elkington	D23/3
D. 240,624	7/1976	MacMurray	D23/3
3,342,335	9/1967	Gamundi et al.	210/282
3,342,340	9/1967	Shindell	210/282
3,439,809	4/1969	McPherron	210/282 X
3,746,170	7/1973	Bloom et al.	210/198
3,746,174	7/1973	Watanabe	210/282
3,950,253	4/1976	Stern	210/282
4,066,551	1/1978	Stern	210/282

Primary Examiner—James R. Largen
Attorney, Agent, or Firm—Francis X. LoJacono, Sr.

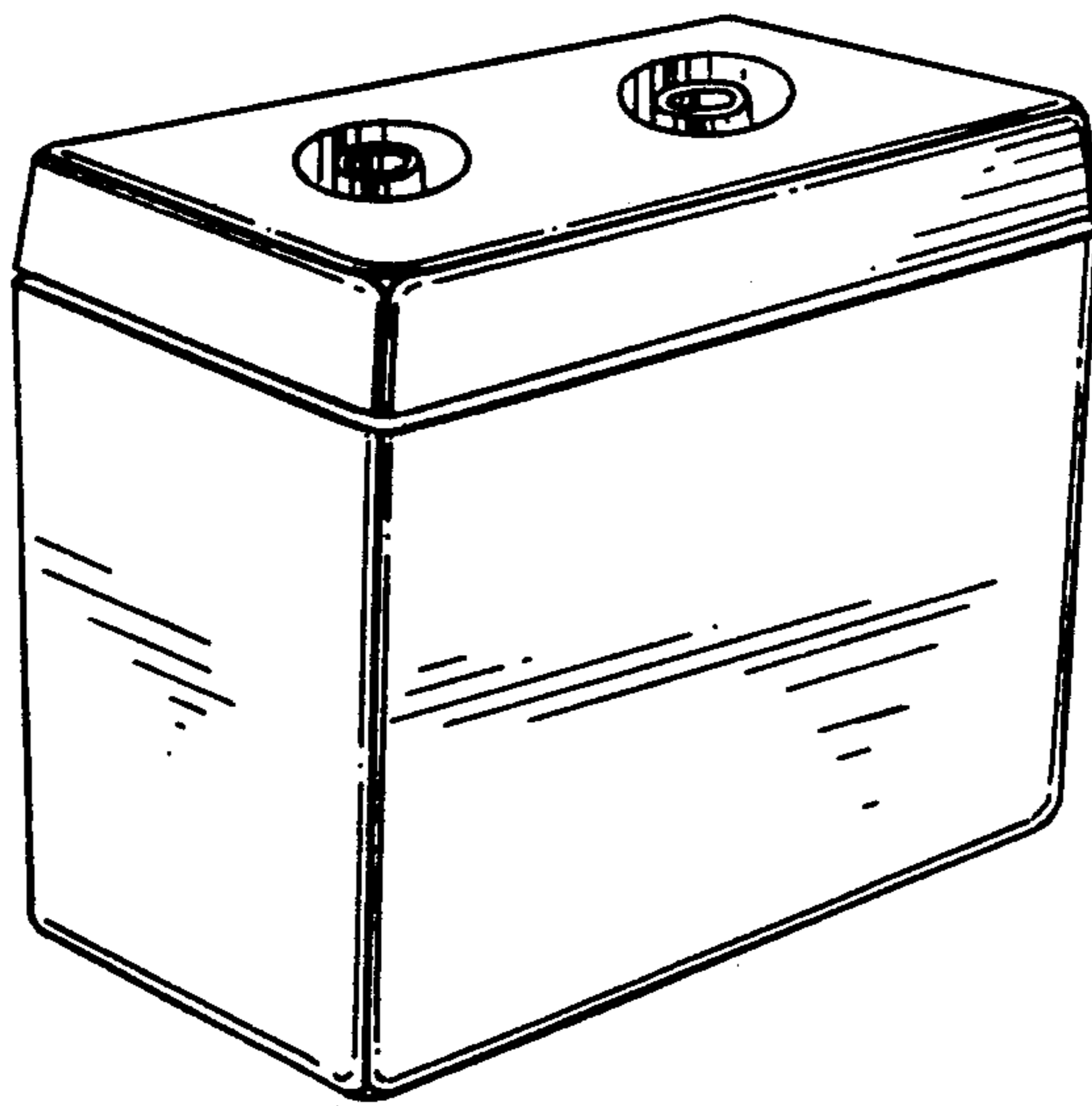
[57] **CLAIM**

The ornamental design for a portable water purifier, as shown.

[56] **References Cited**
U.S. PATENT DOCUMENTS
 D. 197,942 4/1964 Treiss D23/3
 D. 217,058 3/1970 Marsh D23/3
 D. 238,172 12/1975 Blackstone D23/3
 D. 240,128 6/1976 Stephens et al. D23/3

DESCRIPTION

FIG. 1 is a perspective view of a portable water purifier, showing my new design;
 FIG. 2 is a top plan view thereof;
 FIG. 3 is an end-elevational view thereof; and
 FIG. 4 is a side-elevational view thereof.



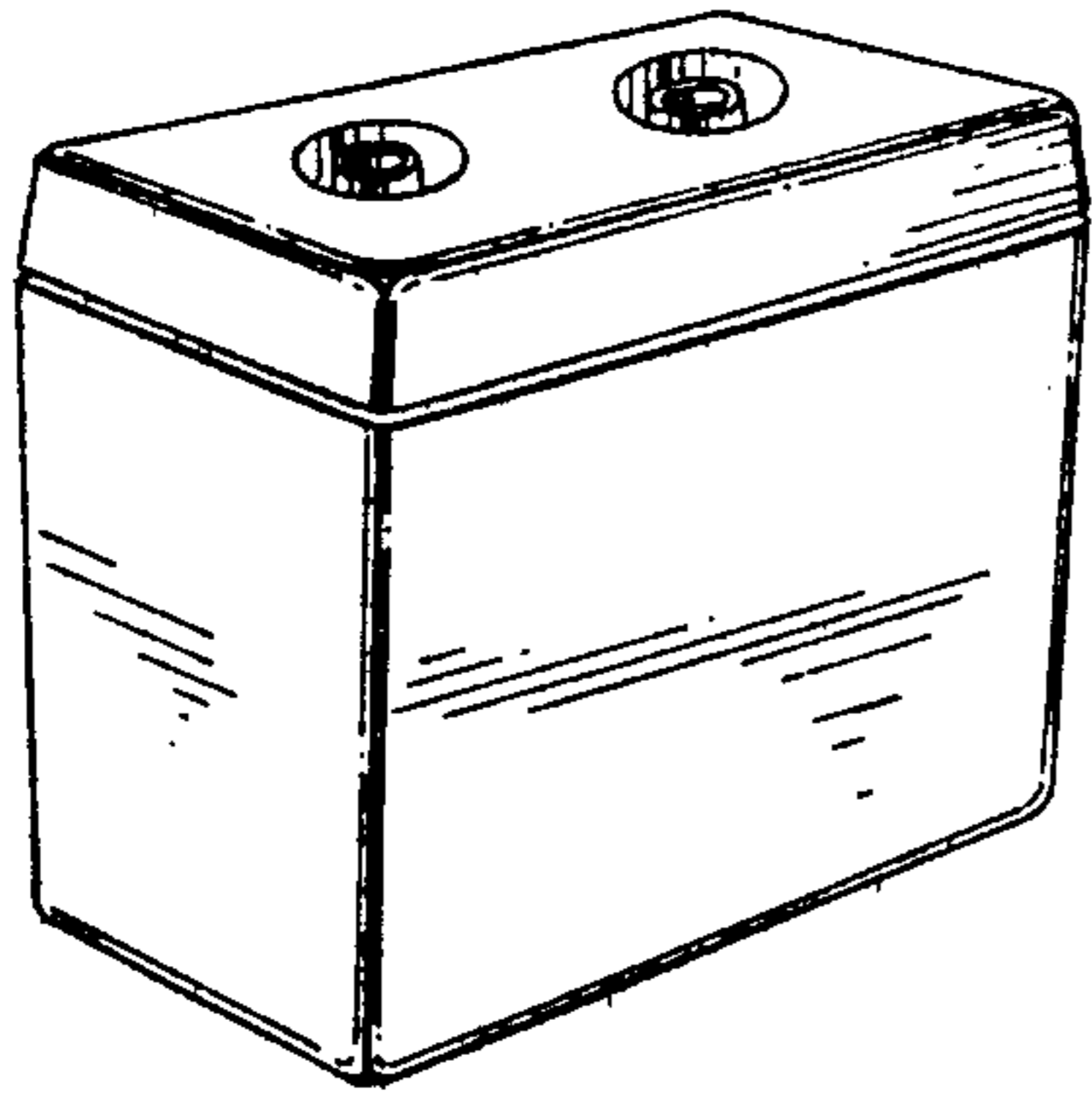


FIG. 1

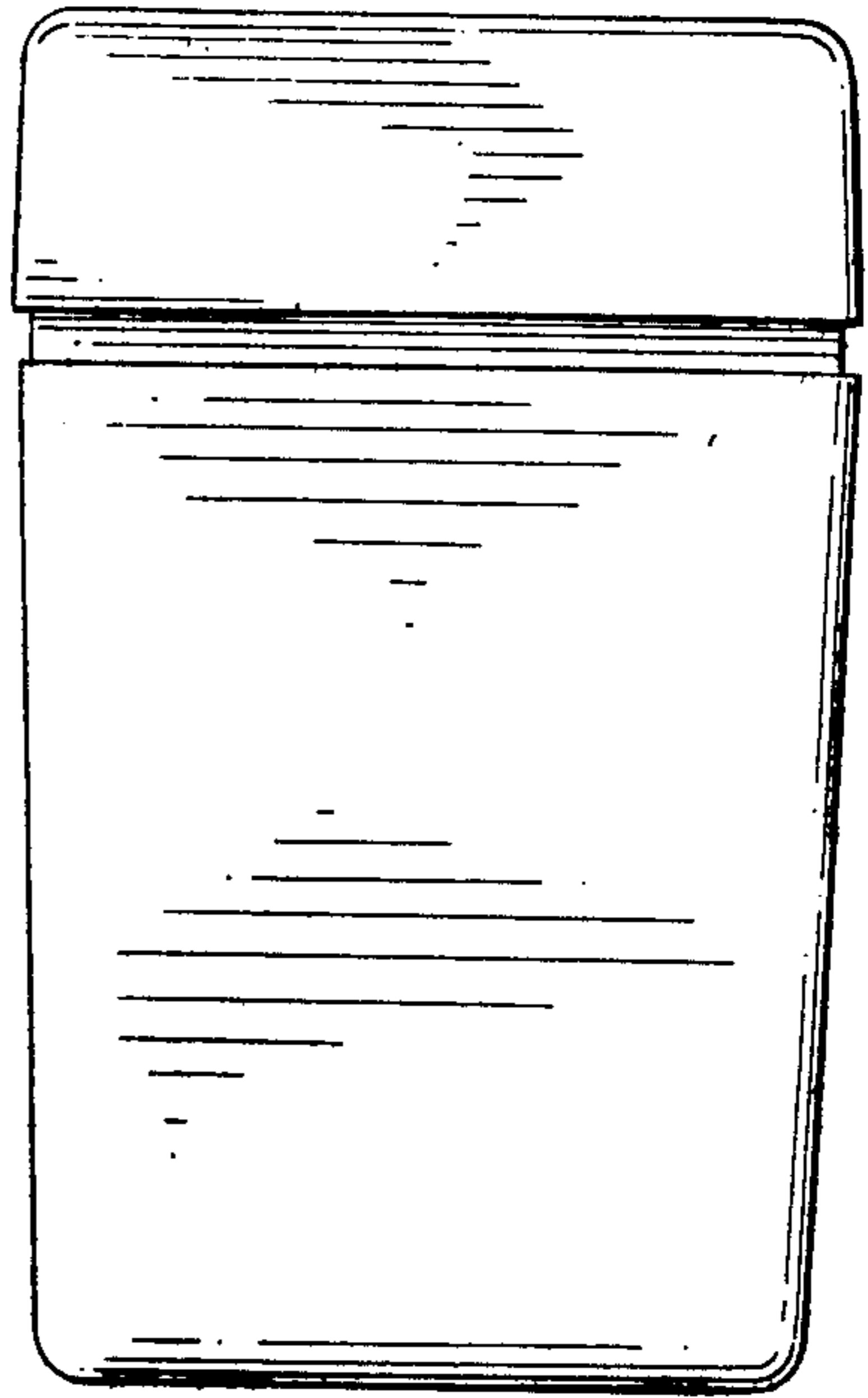


FIG. 3

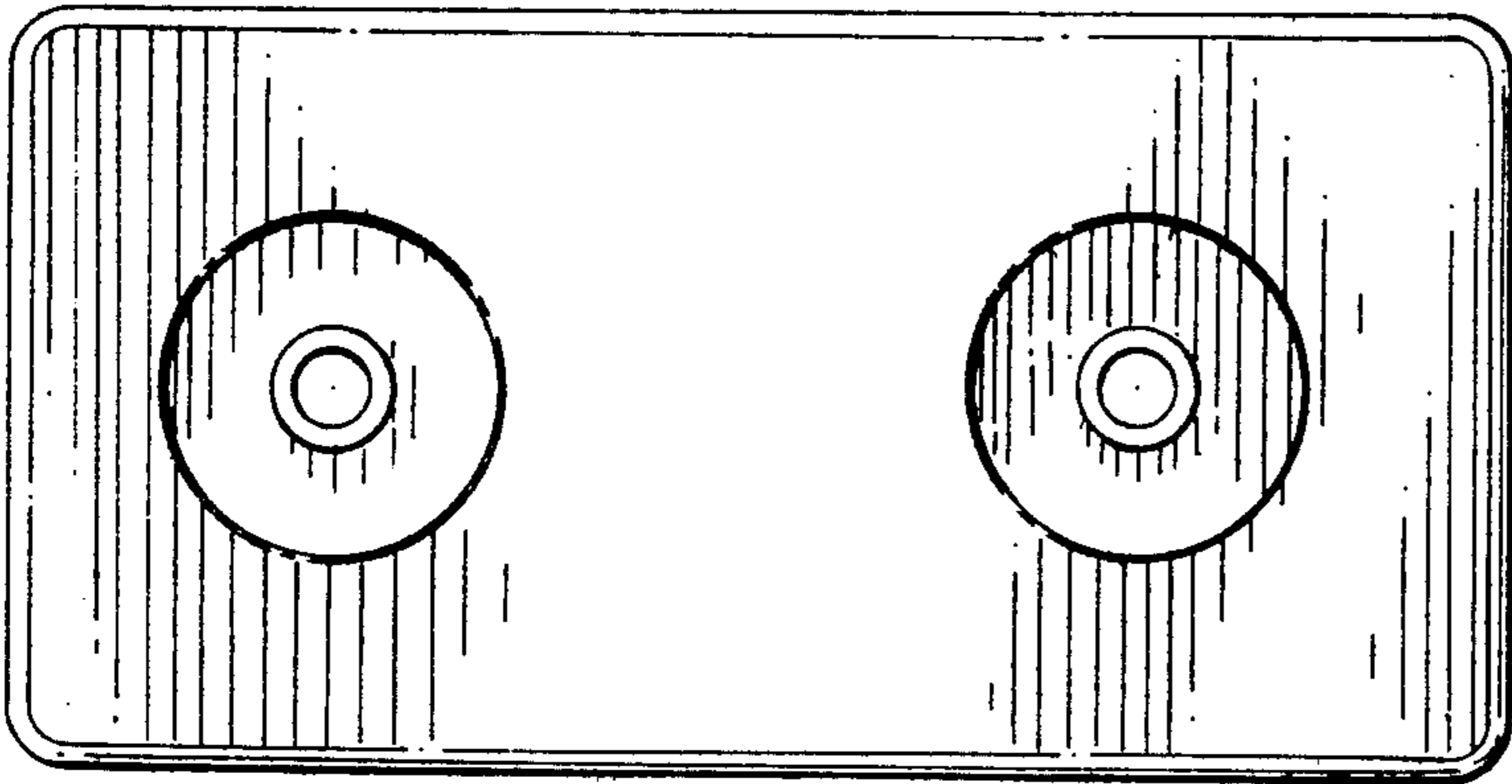


FIG. 2

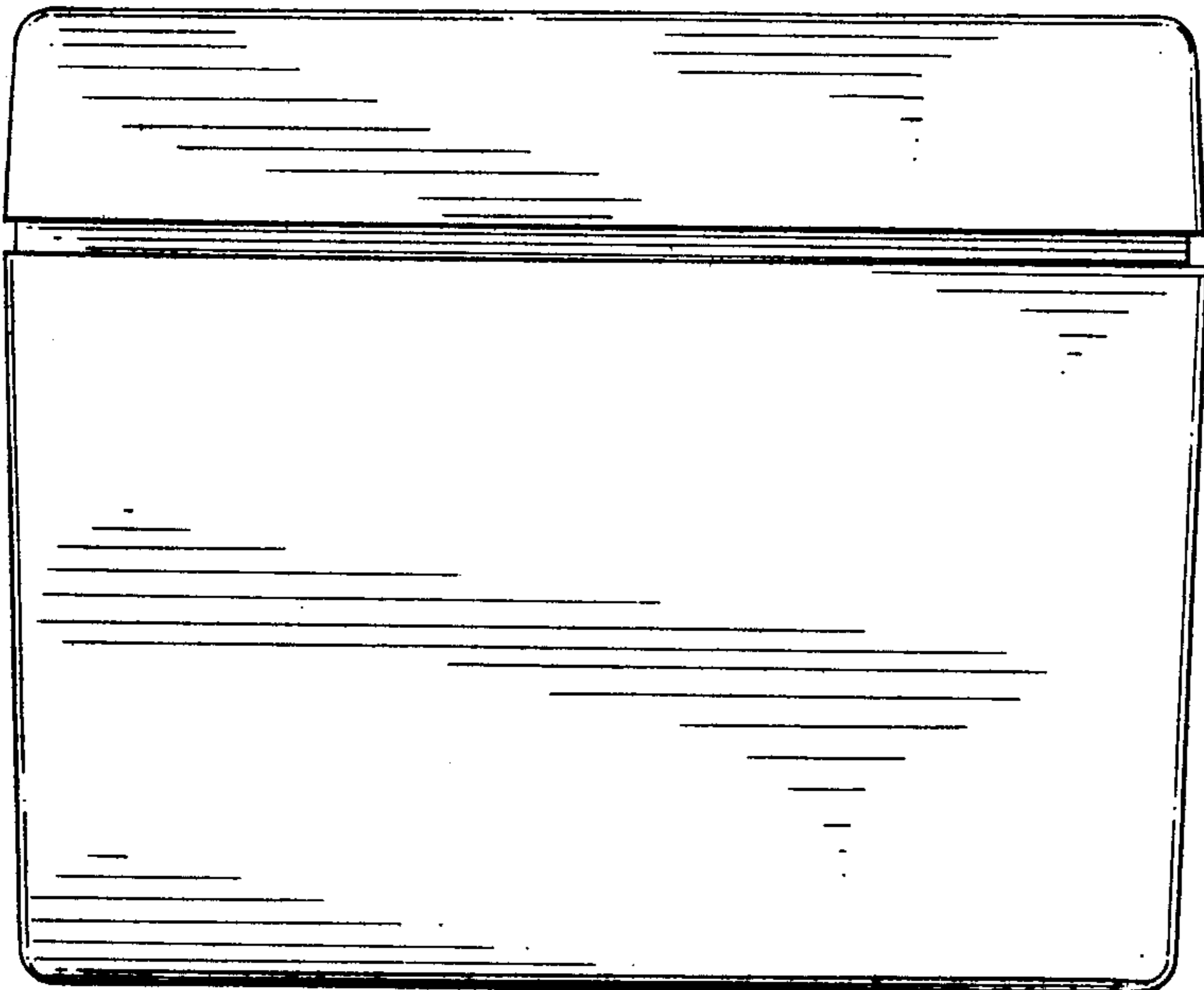


FIG. 4