

[54] **LINE GUIDE FOR FISHING ROD**
[76] **Inventor: Ryuichi Ohmura, No. 19-3,
Minami-cho, Shizuoka-shi,
Shizuoka-ken, Japan**
[**] **Term: 14 Years**
[21] **Appl. No.: 916,006**
[22] **Filed: Jun. 14, 1978**
[51] **Int. Cl. D22-05**
[52] **U.S. Cl. D22/24**
[58] **Field of Search 43/24; D22/24**
[56] **References Cited**
U.S. PATENT DOCUMENTS
D. 237,175 10/1975 Ohmura D22/24

3,690,027 9/1972 Ohmura 43/24
4,141,132 2/1979 Ohmura 43/24 X

Primary Examiner—A. Hugo Word
Attorney, Agent, or Firm—Herbert I. Cantor

[57] **CLAIM**

The ornamental design for a line guide for fishing rod,
as shown.

DESCRIPTION

FIG. 1 is a perspective view of a line guide for fishing rod embodying my new design;
FIG. 2 is a left side view;
FIG. 3 is a front view;
FIG. 4 is a right side view;
FIG. 5 is a top view; and
FIG. 6 is a bottom view.

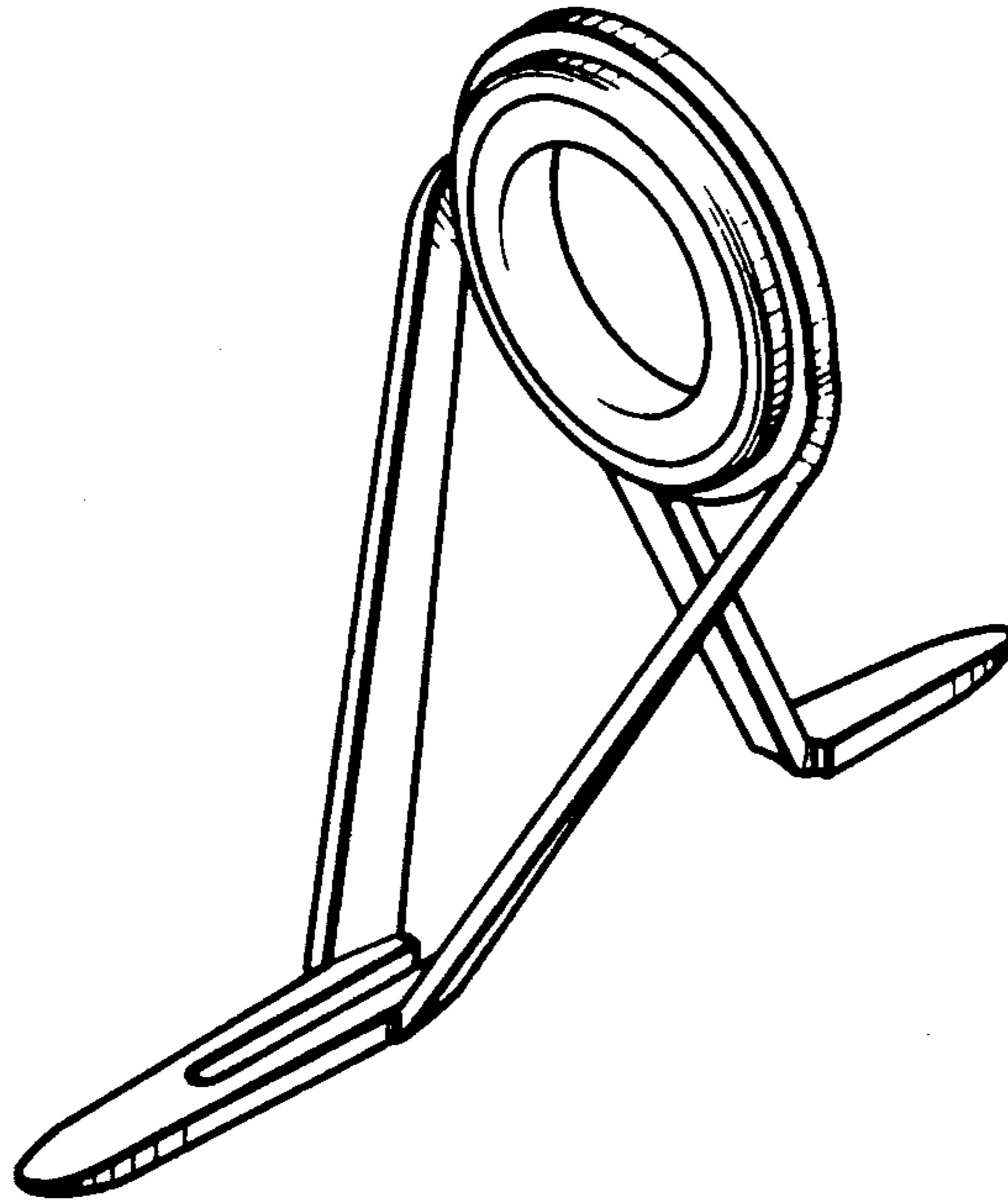


FIG. 1

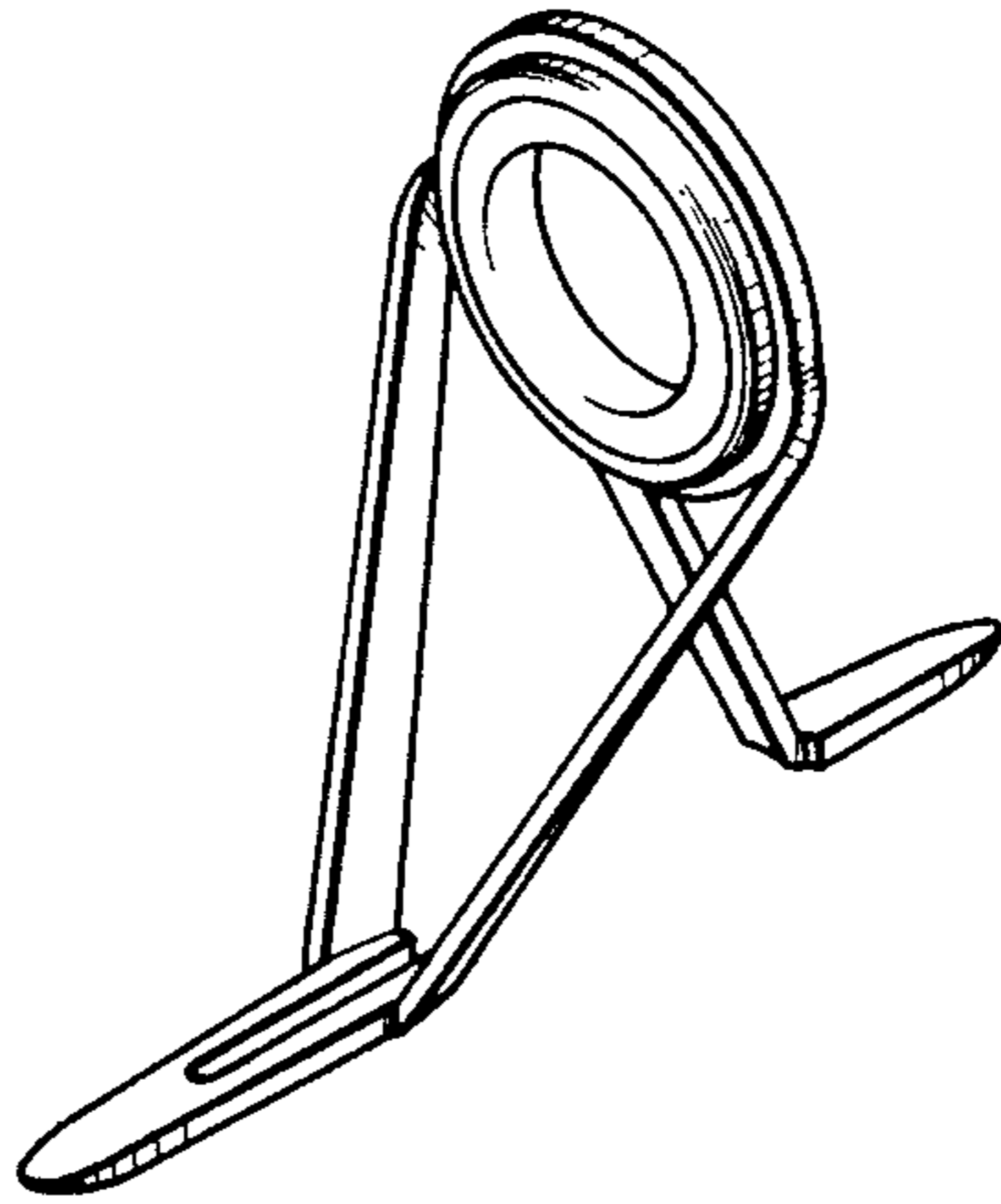


FIG. 2

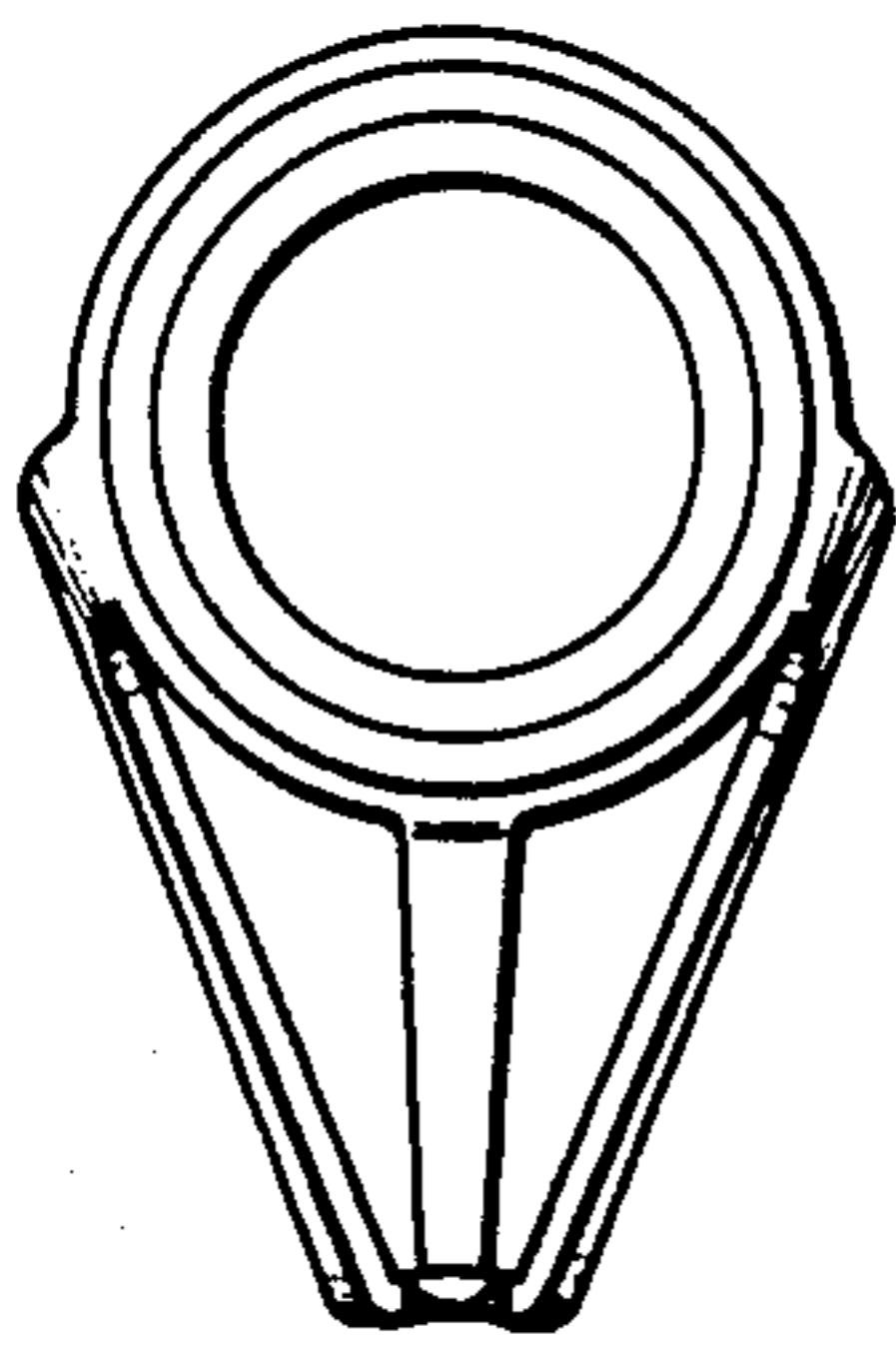


FIG. 3

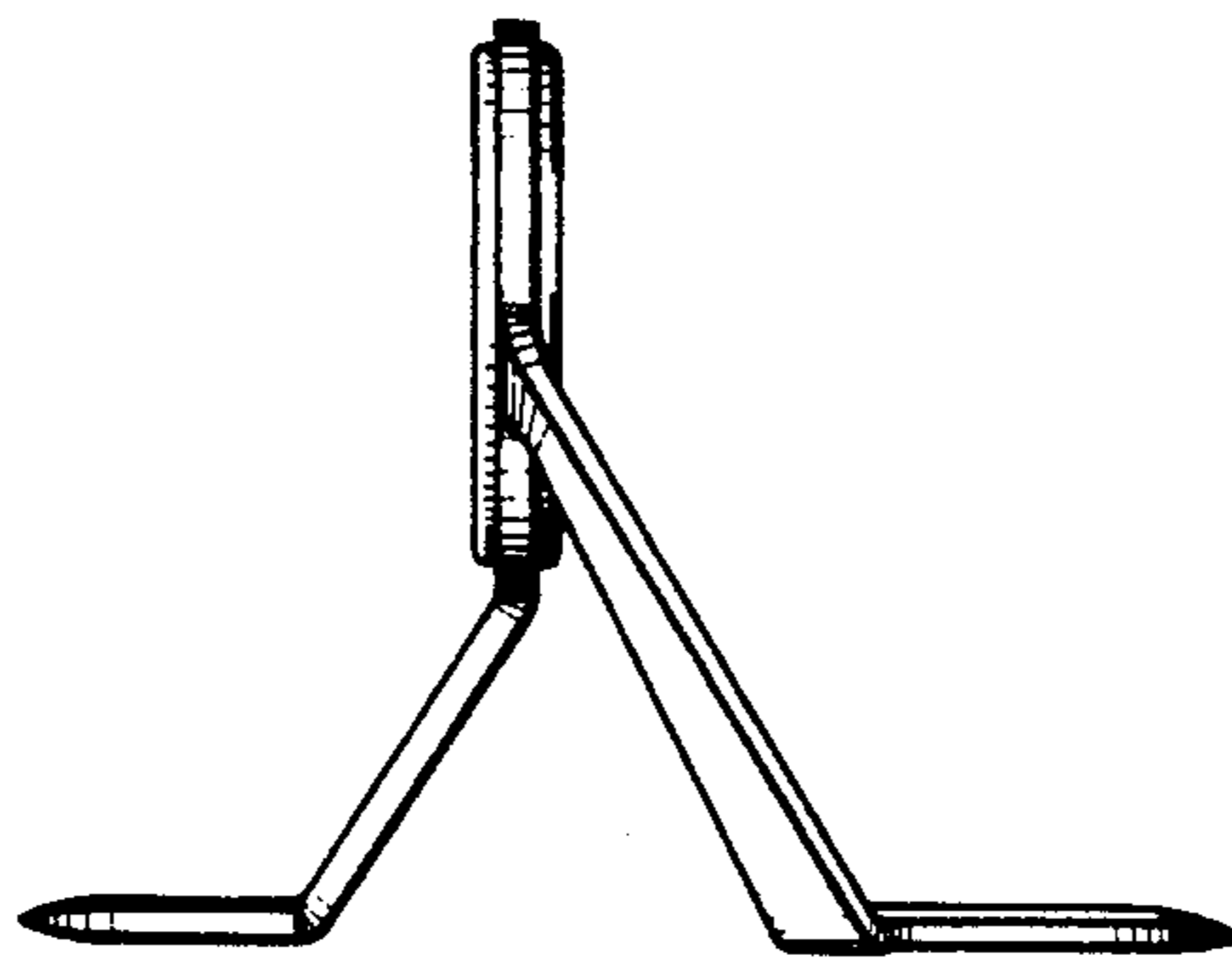


FIG. 4

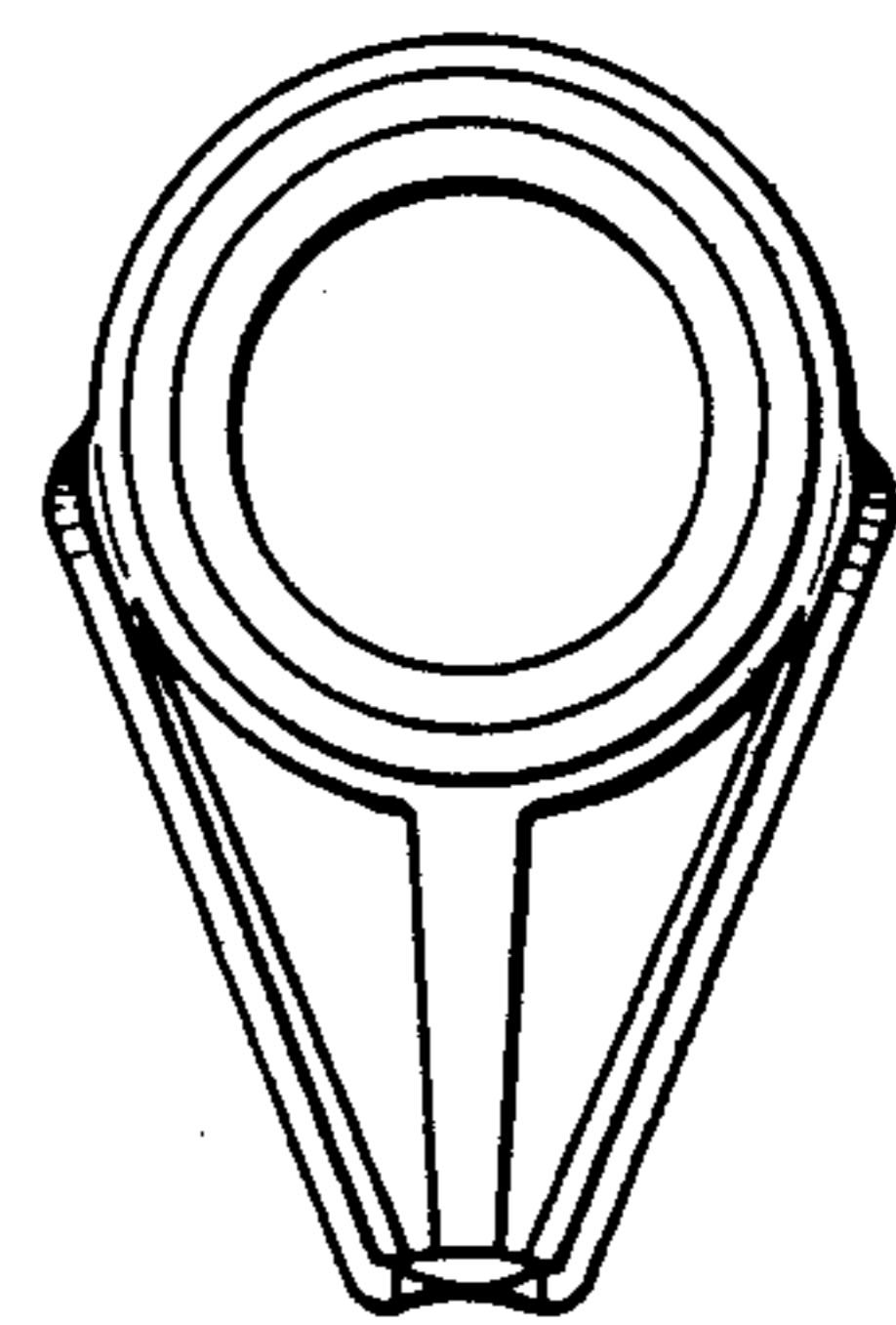


FIG. 5

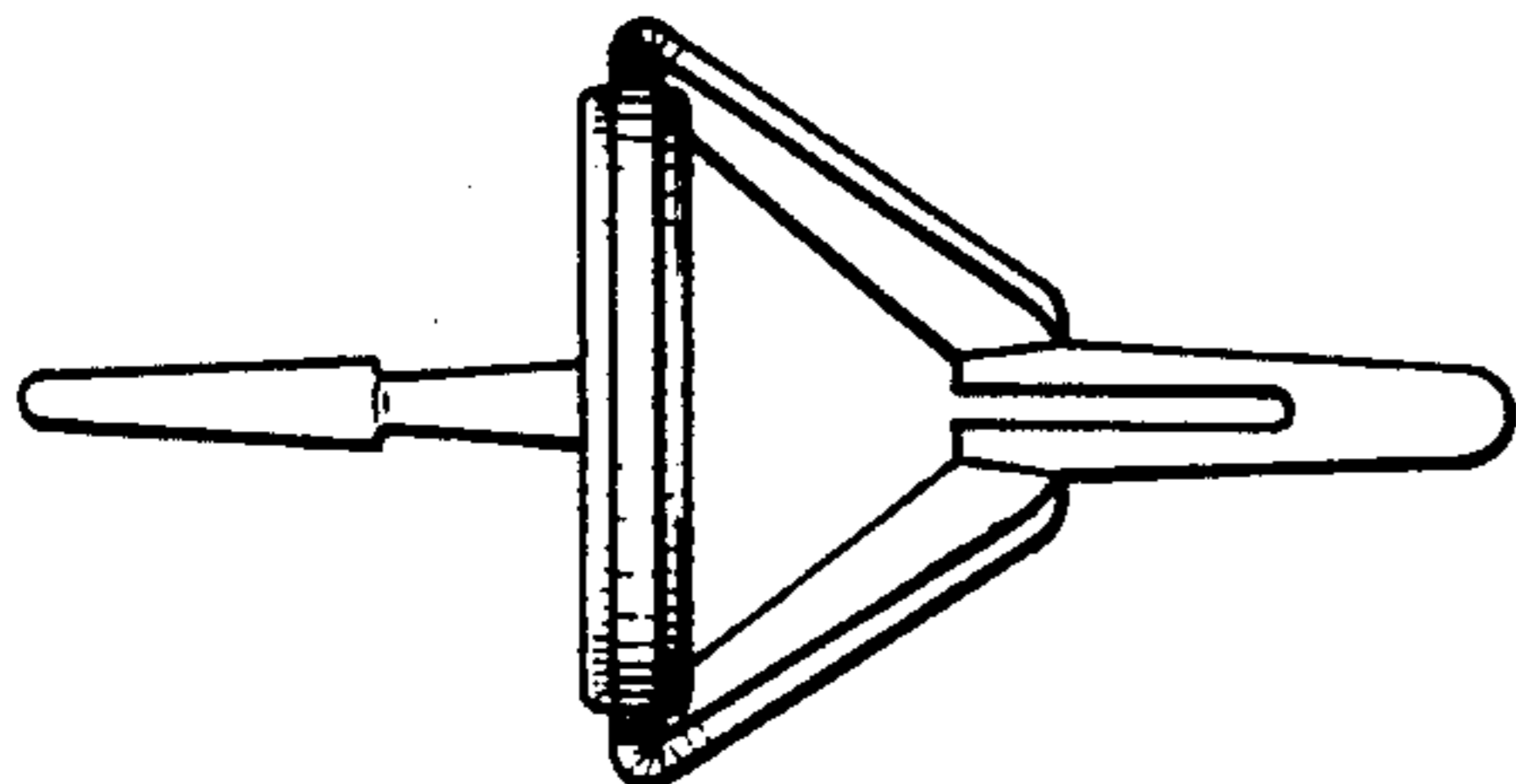


FIG. 6

