

[54] FLY-TRAP

[75] Inventors: Jean-Marie Gombert, Mignaloux-Beauvoir; Yves Joyaux, Poitiers, both of France

[73] Assignee: Airwick Industries, Inc., Carlstadt, N.J.

[**] Term: 14 Years

[21] Appl. No.: 939,502

[22] Filed: Sep. 5, 1978

[30] Foreign Application Priority Data
Mar. 9, 1978 [CH] Switzerland 109749/78

[51] Int. Cl. D22-05

[52] U.S. Cl. D22/19

[58] Field of Search D23/150; D22/13, 18, D22/19; 43/107, 112, 113, 118, 119, 122, 133, 138

[56] References Cited

U.S. PATENT DOCUMENTS

D. 42,298	3/1912	Rainey	D22/19
D. 56,552	11/1920	Cardinet	D22/19
D. 173,253	10/1954	Ayoub	D22/19
D. 212,358	10/1968	Giordano	D22/19

Primary Examiner—A. Hugo Word
Attorney, Agent, or Firm—Karl F. Jorda

[57] CLAIM

The ornamental design for a fly-trap, as shown and described.

DESCRIPTION

FIG. 1 shows a perspective view of the fly-trap seen at an angle from above;
FIG. 2 shows a side view;
FIG. 3 shows a top plan view of the fly-trap corresponding to the direction of arrow III in FIG. 1;
FIG. 4 shows a bottom plan view of the fly-trap corresponding to the direction of arrow IV beneath FIG. 1;
FIG. 5 shows the fly-trap according to FIG. 1 also in perspective view but provided with a suspension hook;
FIG. 6 shows a vertical section through the fly-trap according to FIG. 1.

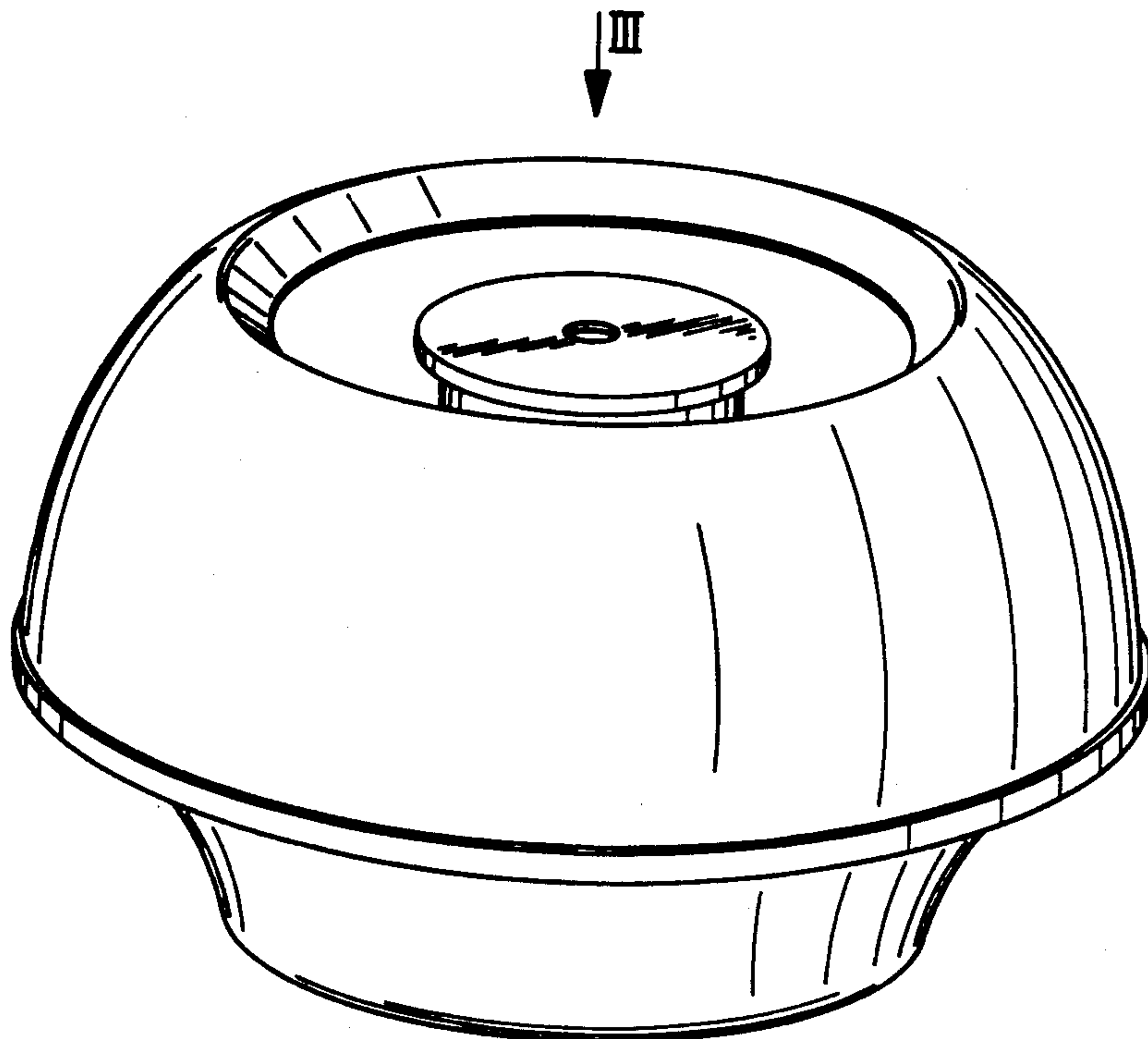


Fig. 1

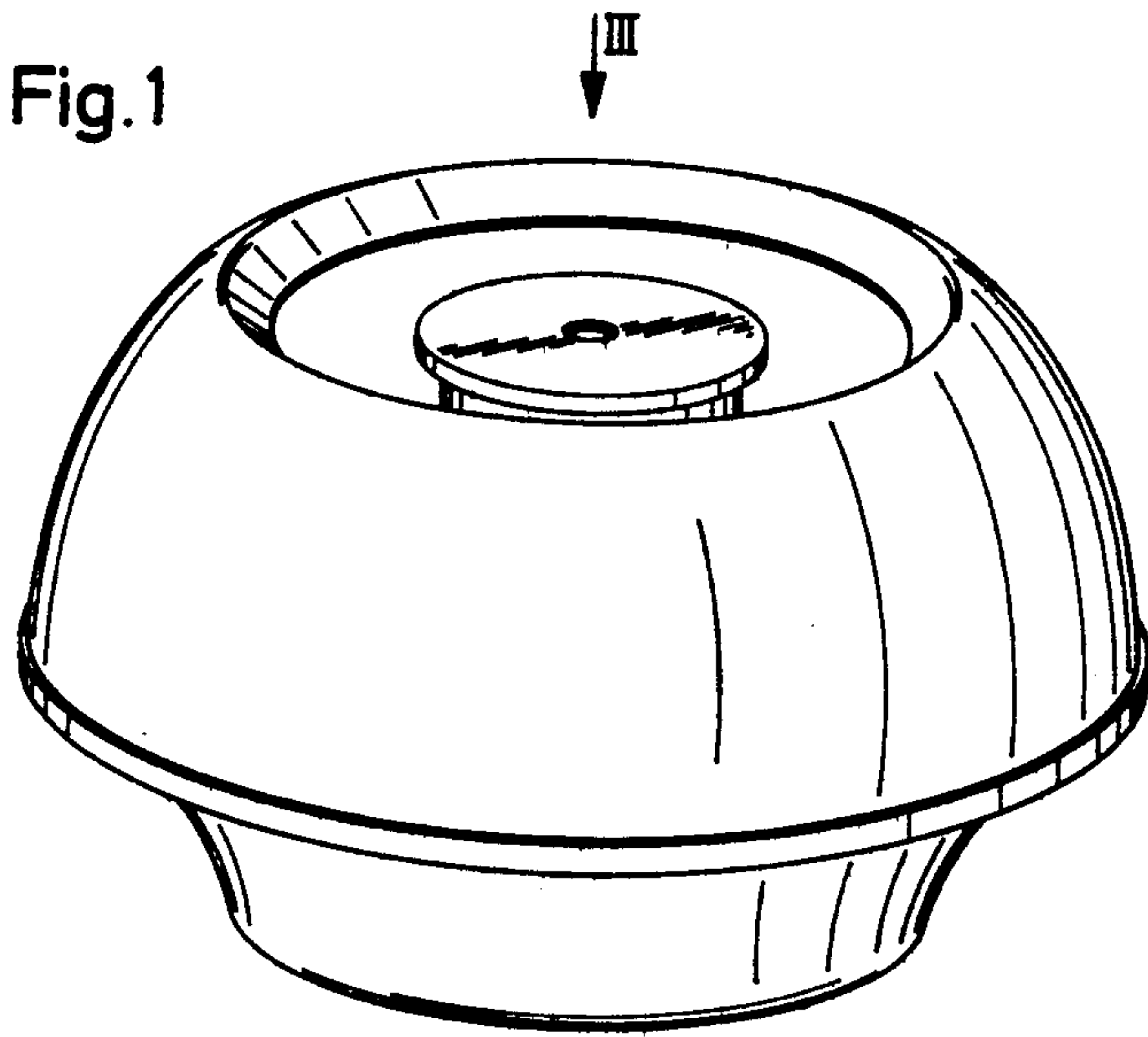
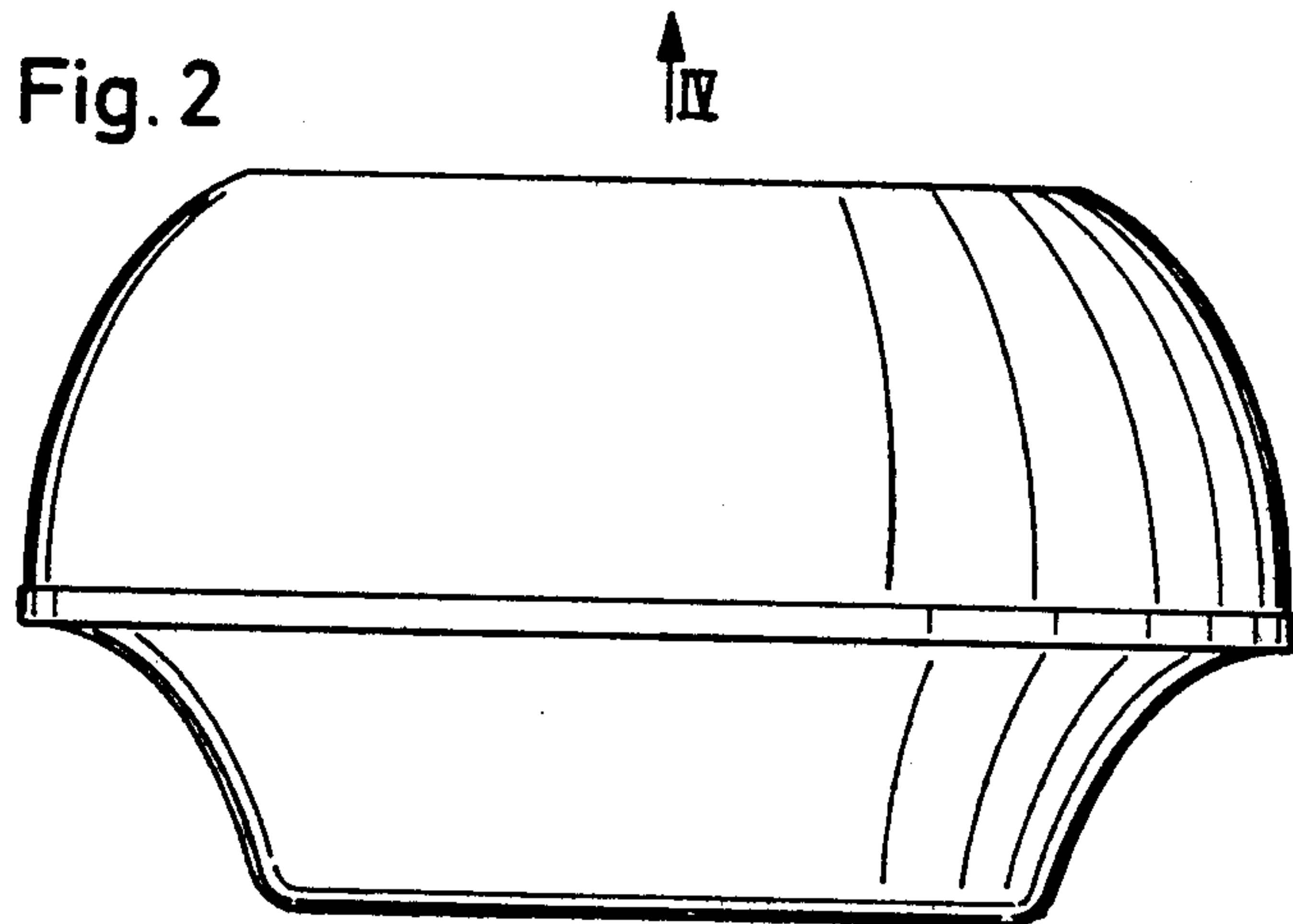


Fig. 2



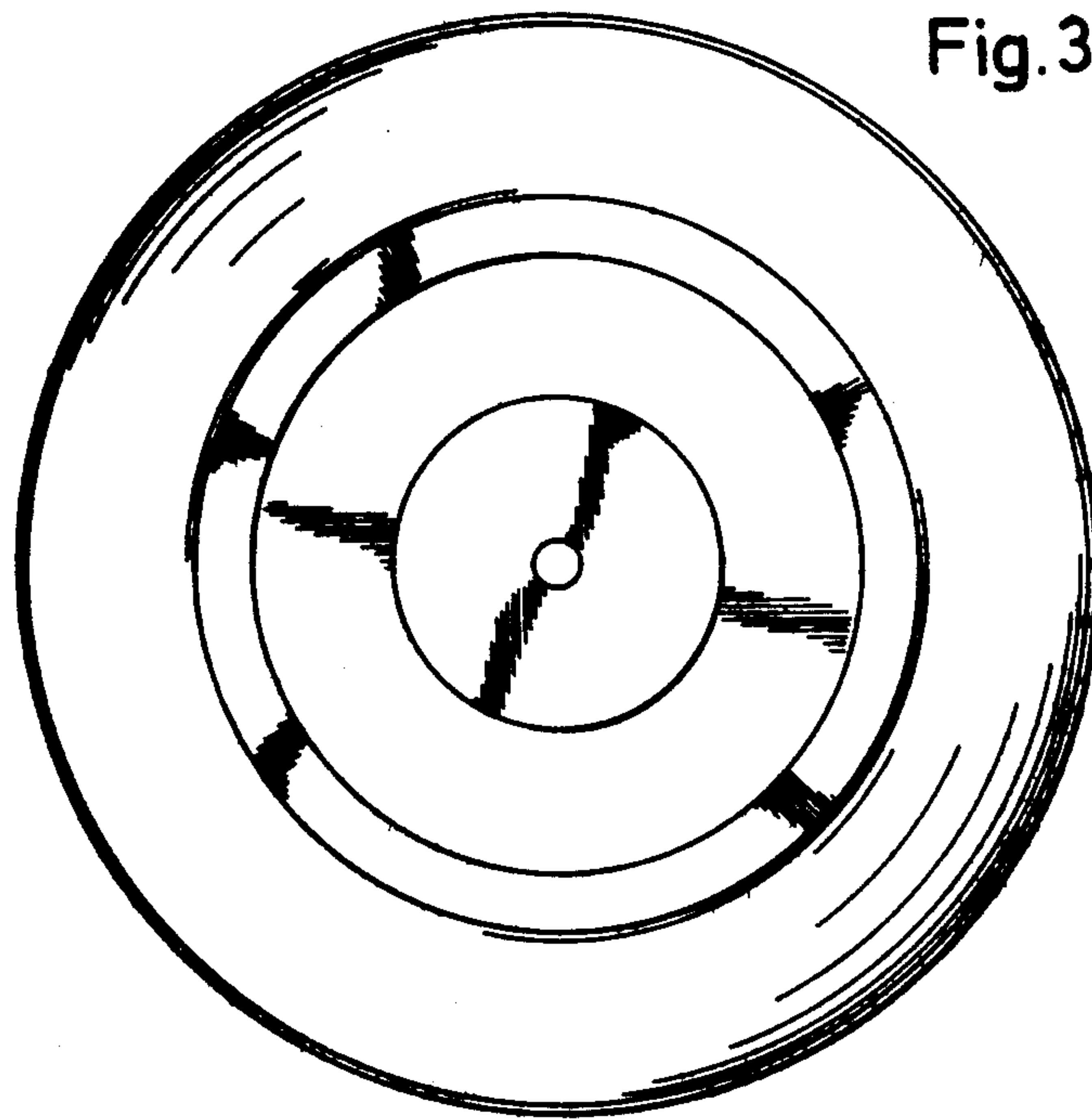


Fig. 3

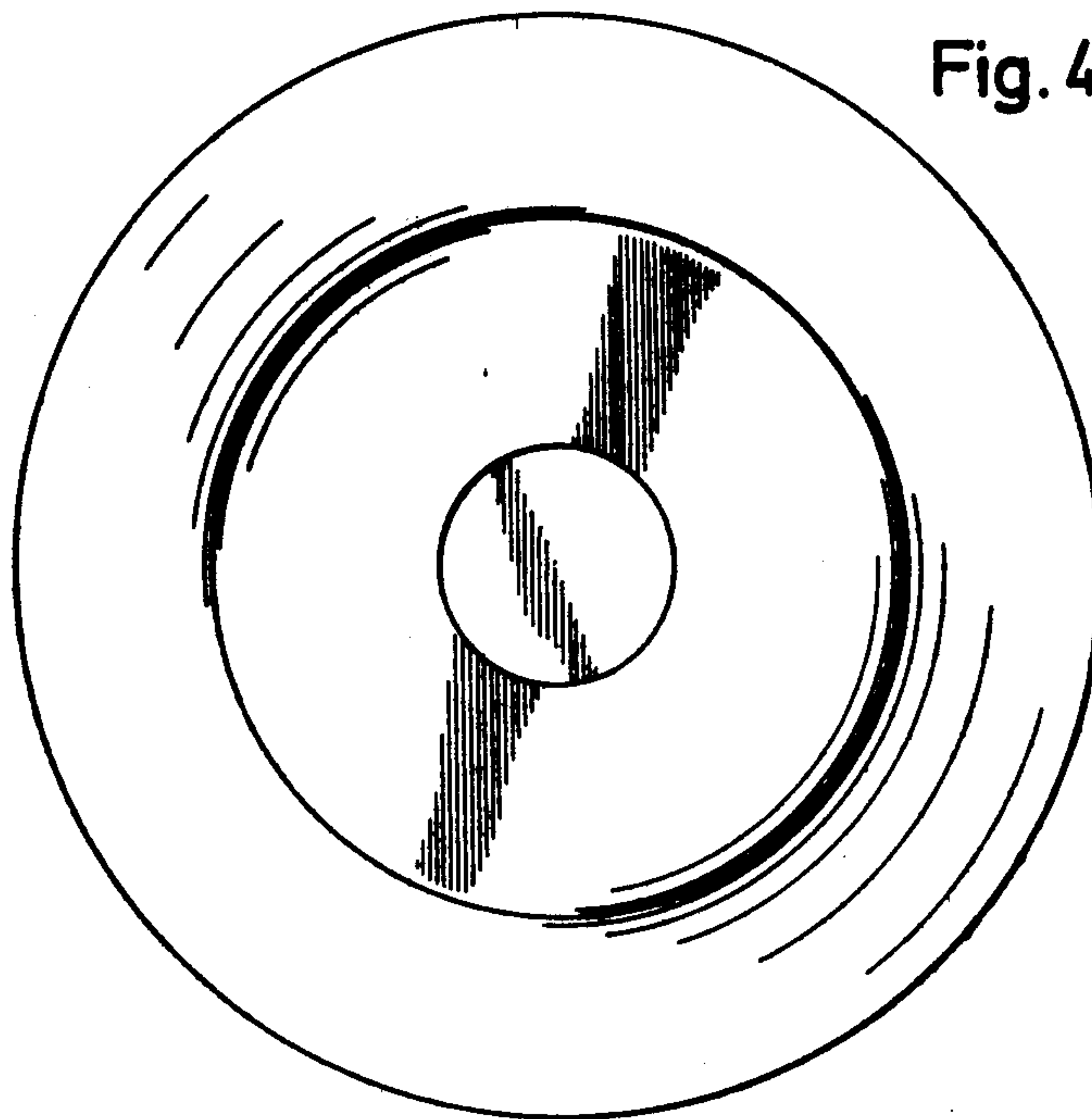


Fig. 4

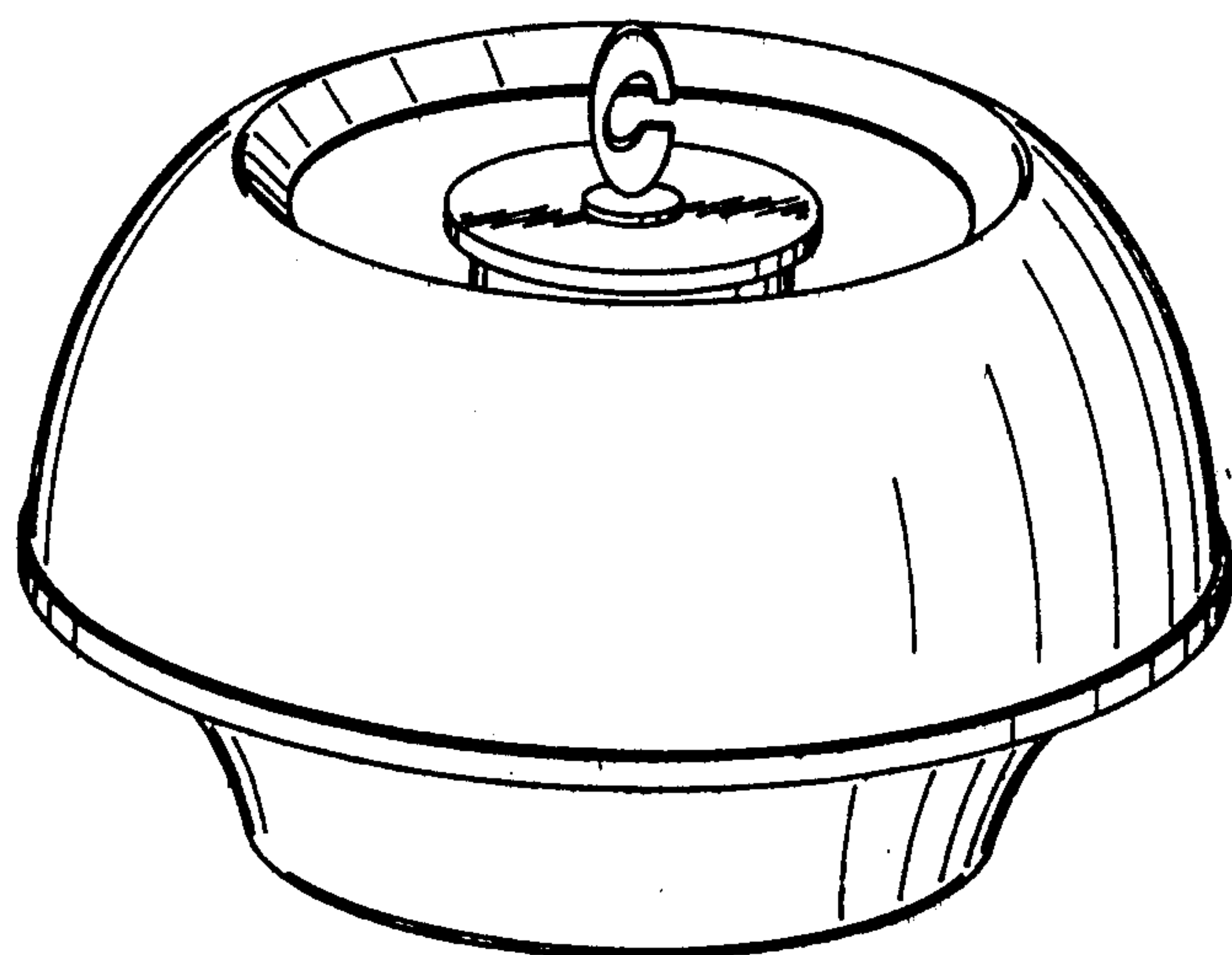


Fig. 5

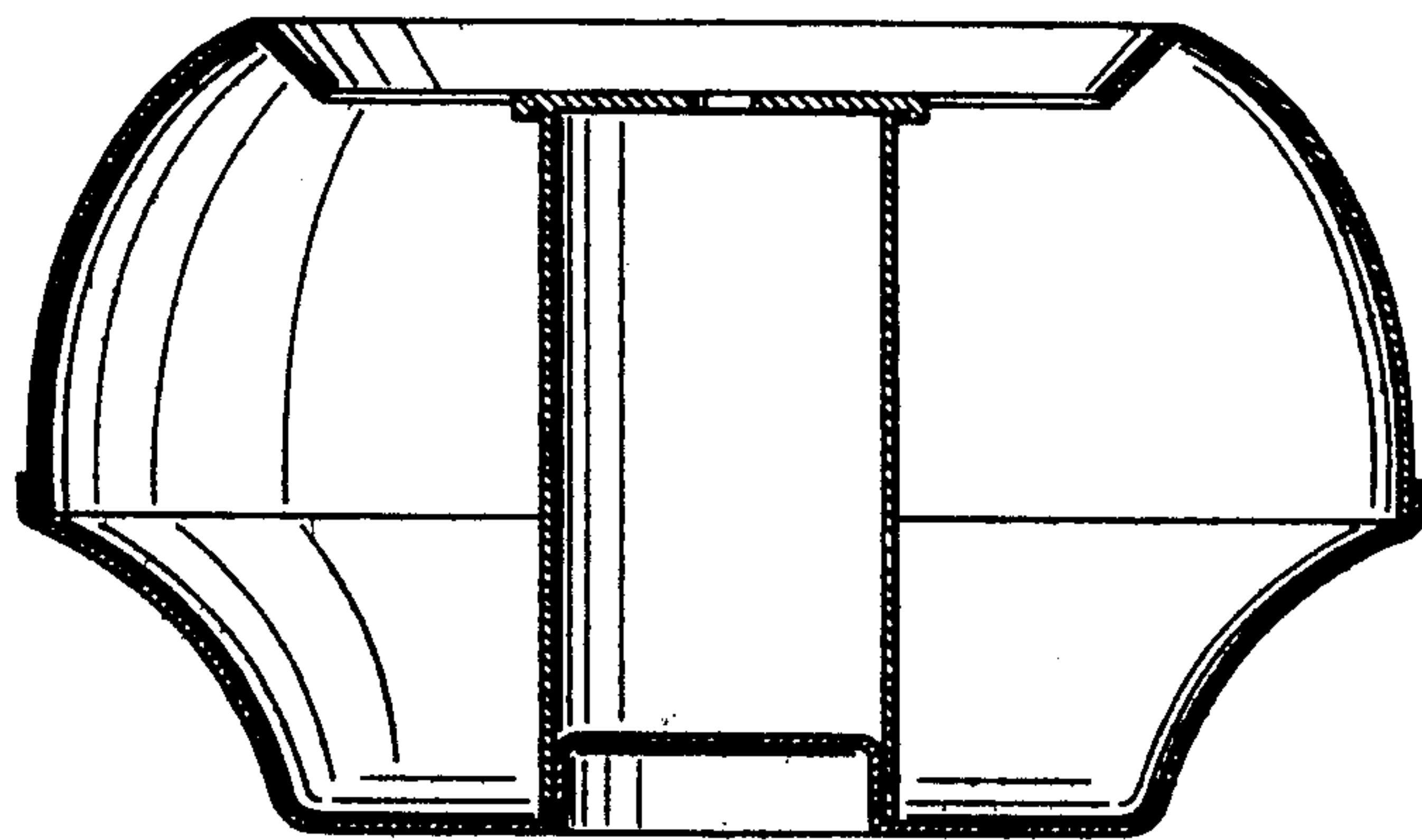


Fig. 6