

[54] FLY-TRAP

[75] Inventors: Jean-Marie Gombert, Mignaloux-Beauvoir; Yves Joyaux, Poitiers, both of France

[73] Assignee: Airwick Industries, Inc., Carlstadt, N.J.

[\*\*] Term: 14 Years

[21] Appl. No.: 939,501

[22] Filed: Sep. 5, 1978

[30] Foreign Application Priority Data  
Mar. 9, 1978 [CH] Switzerland ..... 109749/78

[51] Int. Cl. .... D22-05  
[52] U.S. Cl. .... D22/19  
[58] Field of Search ..... D23/150; D22/13, 18, D22/19; 43/107, 112, 113, 118, 119, 122, 133, 138

[56] References Cited  
U.S. PATENT DOCUMENTS

D. 30,528	4/1899	Hightower .....	D22/19
D. 175,307	8/1955	Hoffhines et al. ....	D22/13
D. 212,358	10/1968	Giordano .....	D22/19
D. 232,233	7/1974	Daratsos .....	D22/19

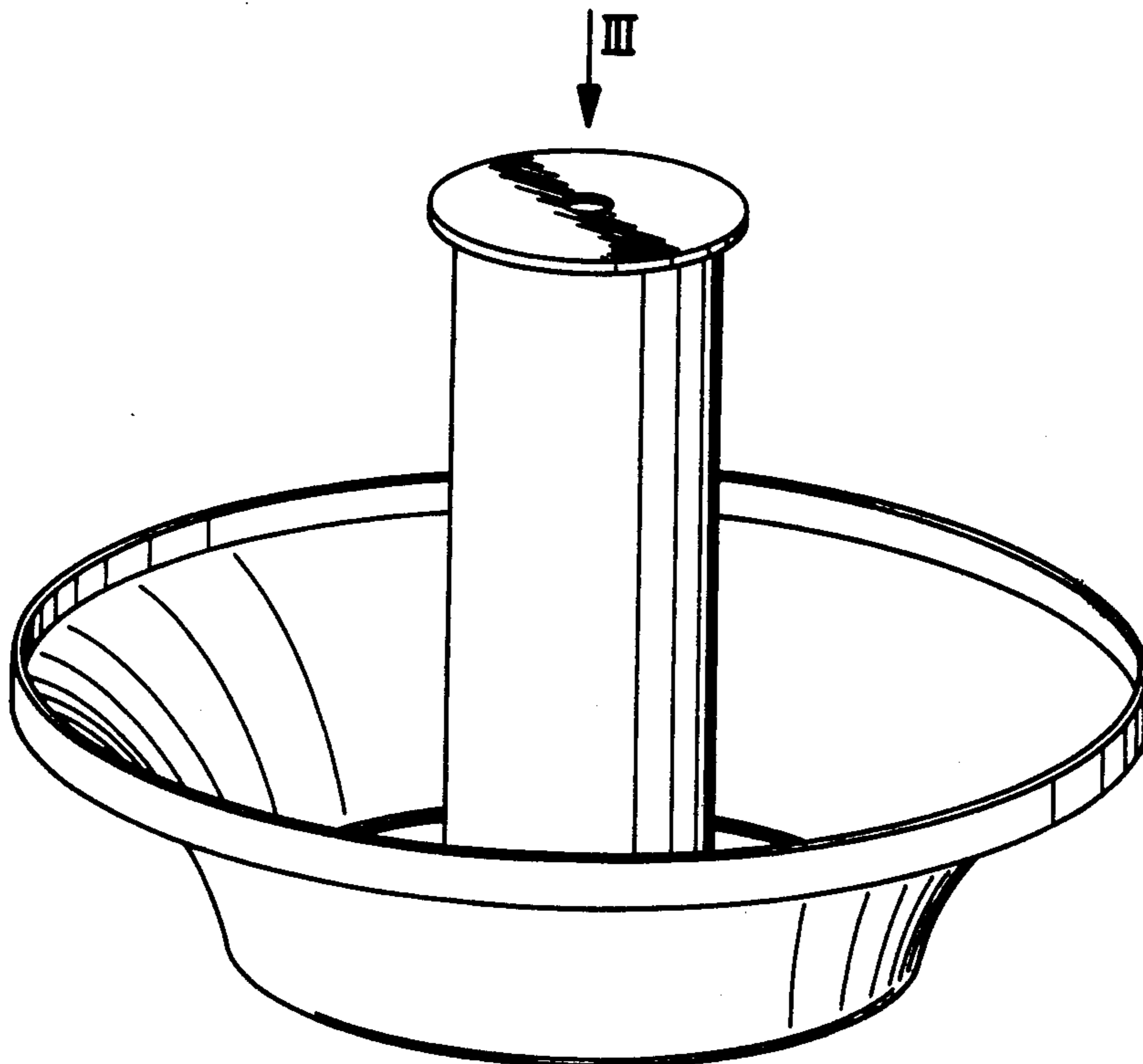
Primary Examiner—A. Hugo Word  
Attorney, Agent, or Firm—Karl F. Jorda

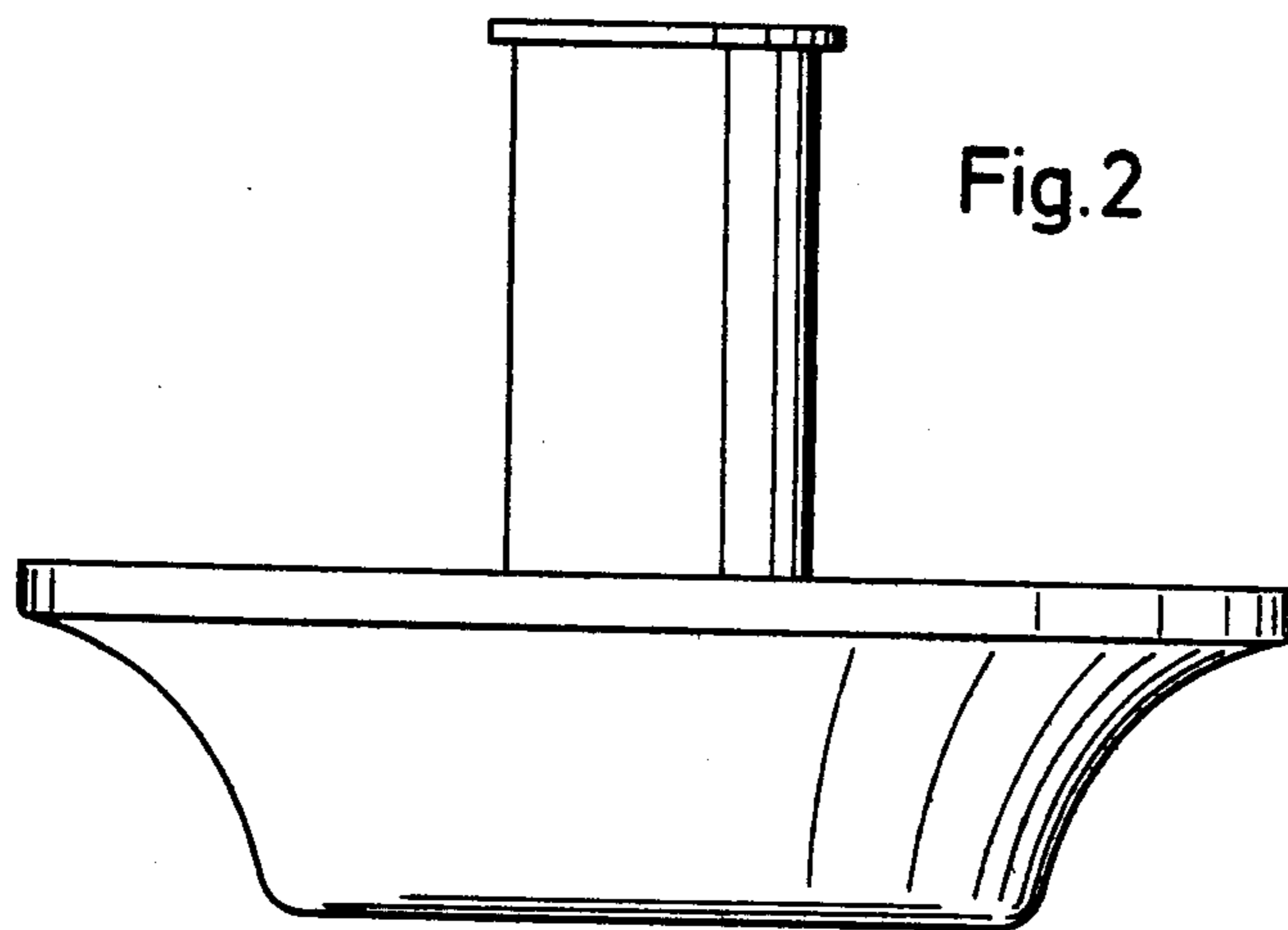
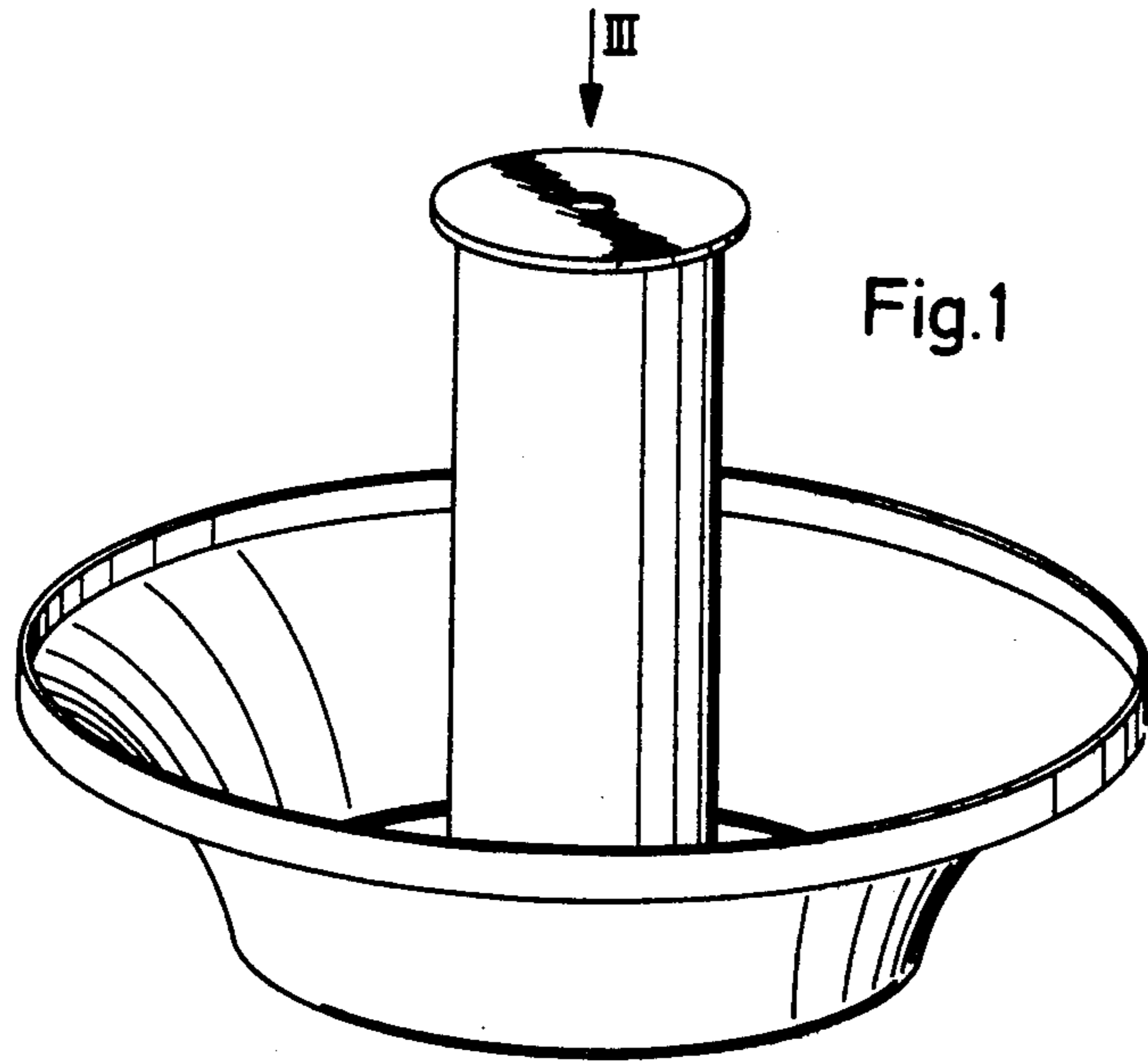
[57] CLAIM

The ornamental design for a fly-trap, as shown and described.

DESCRIPTION

FIG. 1 shows a perspective view of the fly-trap seen at an angle from above;  
FIG. 2 shows a side view of said fly-trap;  
FIG. 3 shows a top plan view of the fly-trap corresponding to the direction of arrow III in FIG. 1;  
FIG. 4 shows a bottom plan view of the fly-trap corresponding to the direction of arrow IV beneath FIG. 1.  
FIG. 5 shows the fly-trap according to FIG. 1 also in perspective view but provided with a suspension hook;  
FIG. 6 shows a vertical section through the fly-trap according to FIG. 1.





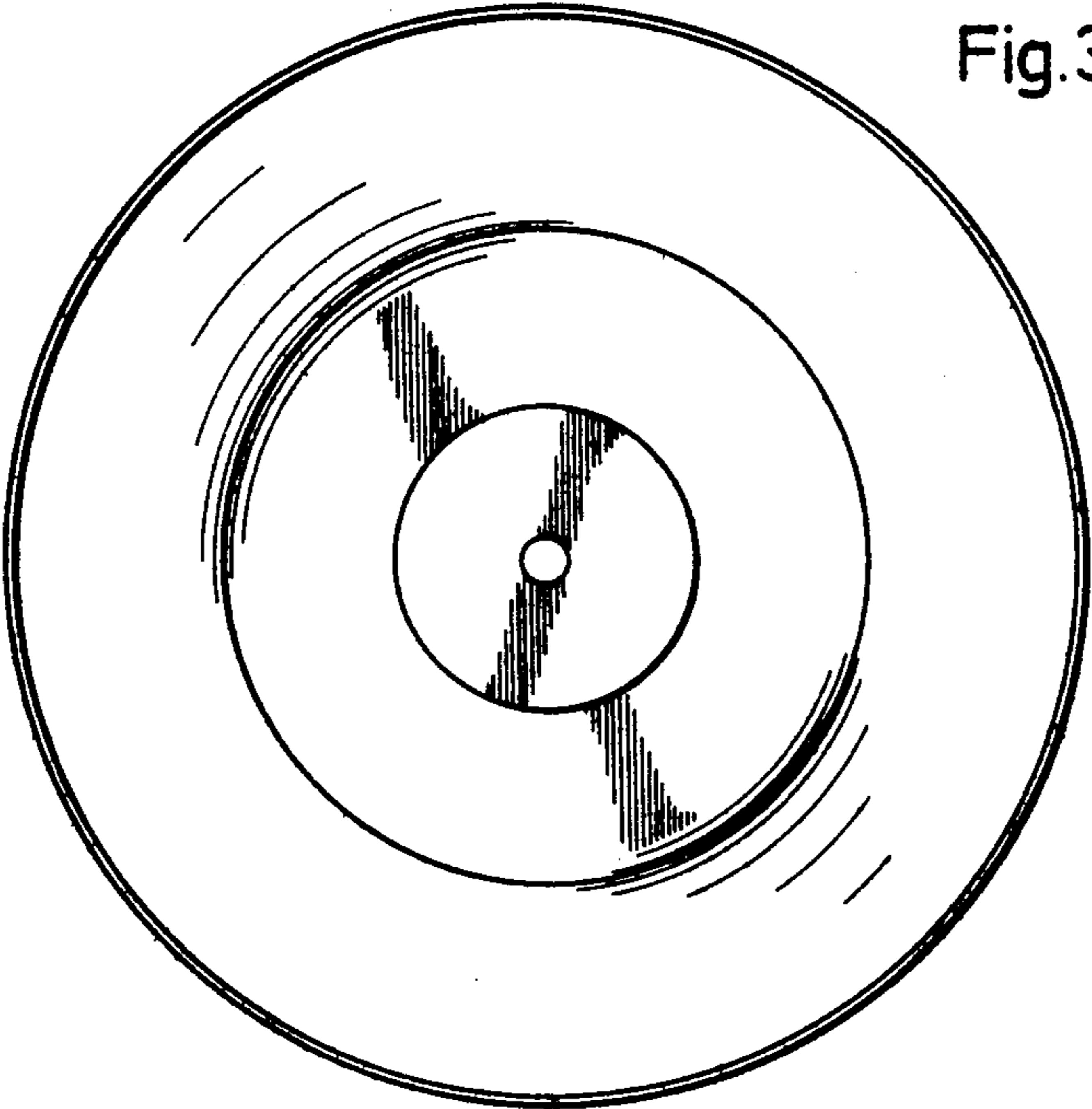


Fig.3

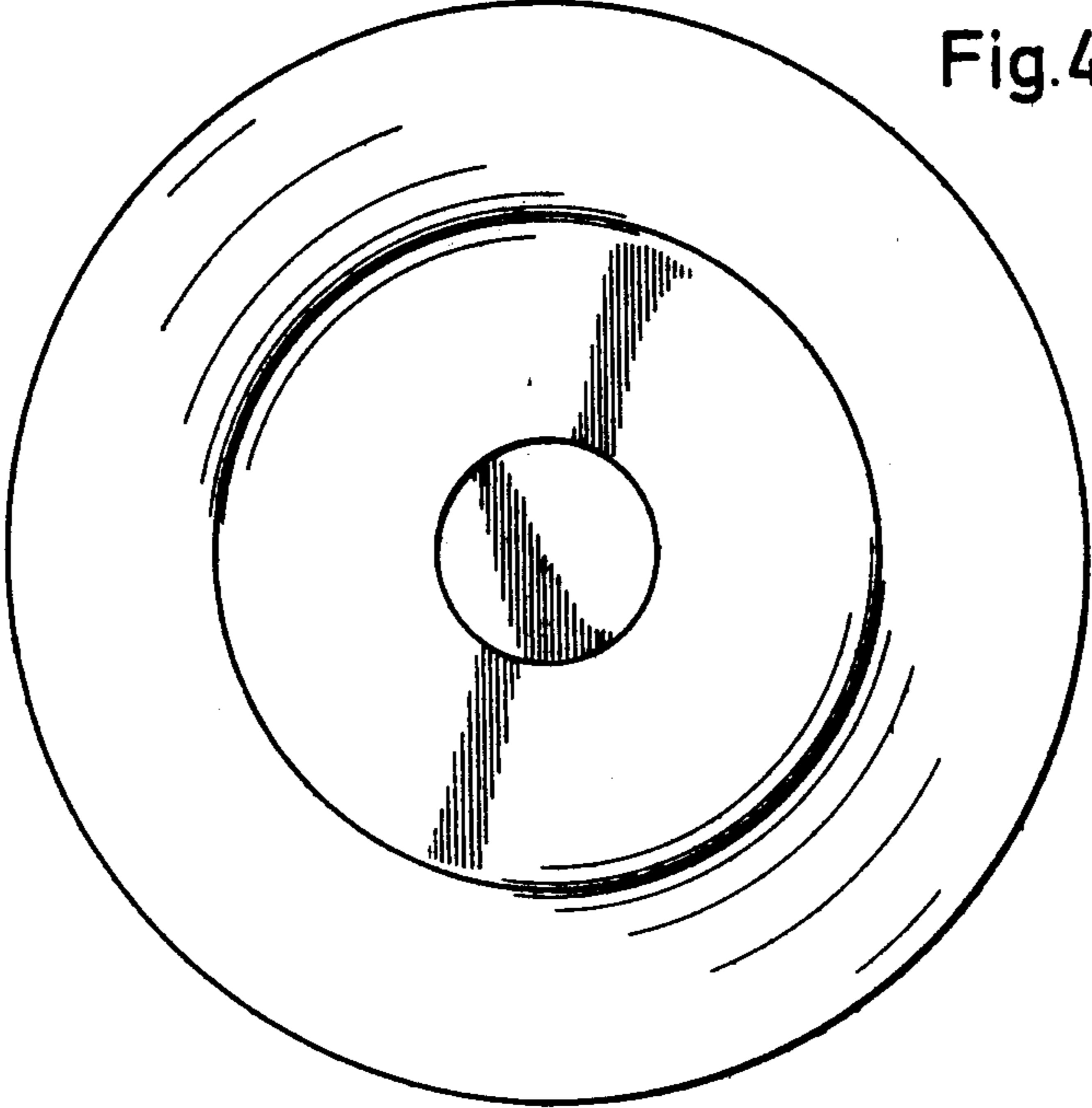


Fig.4

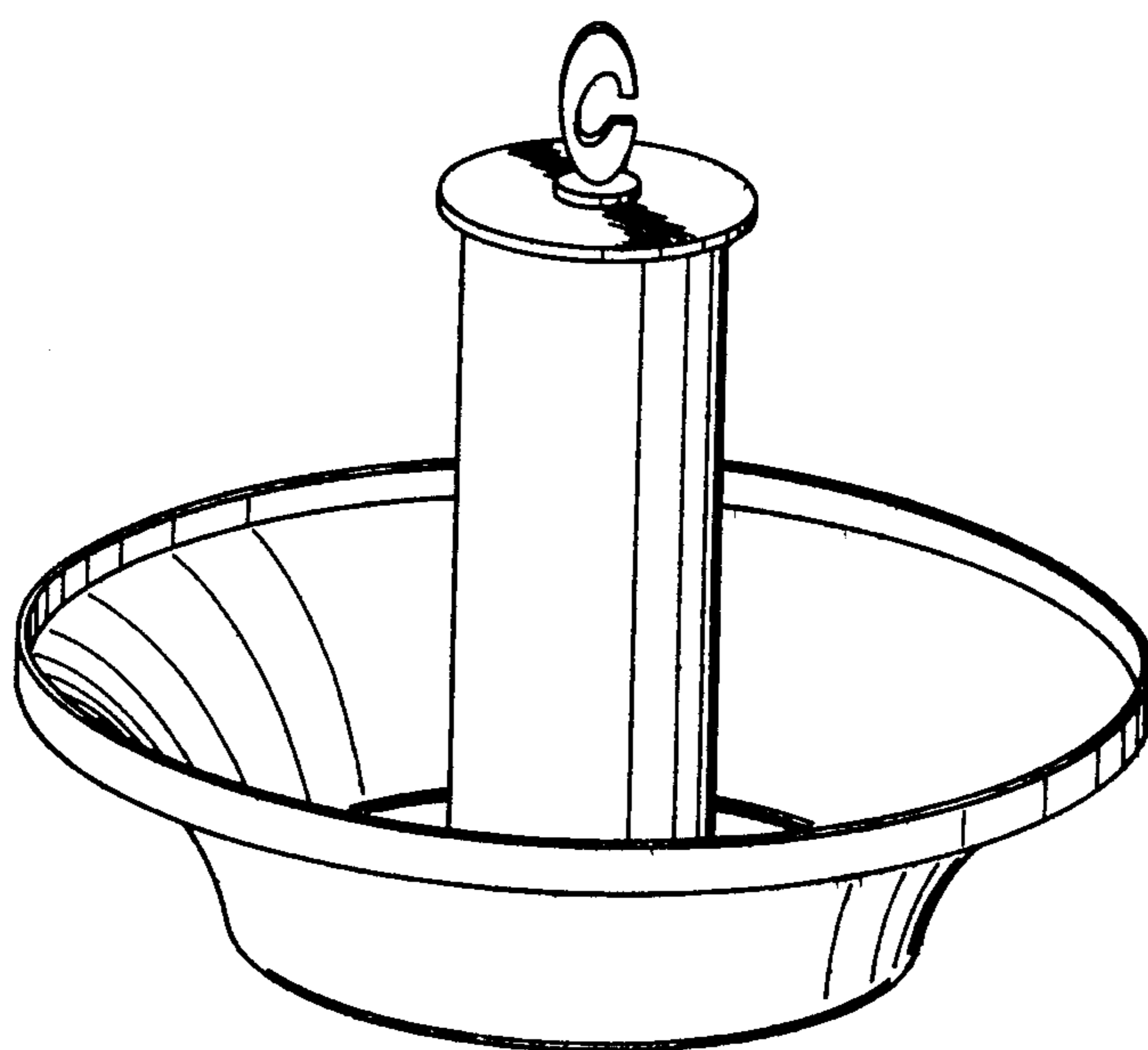


Fig.5

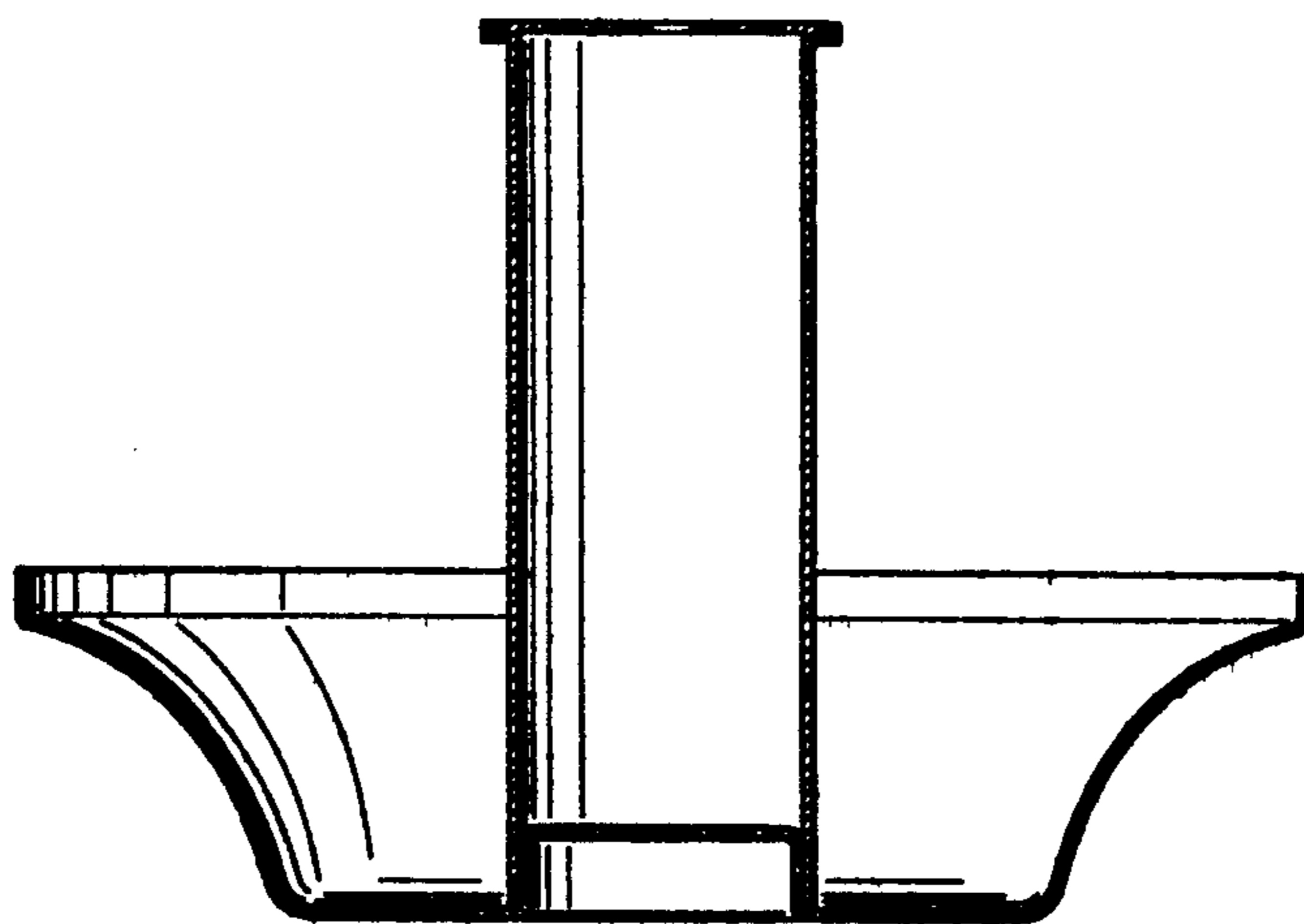


Fig.6