

[54] PHYSICAL EXERCISER

[76] Inventor: Keith MacLaren-Taylor, 360 Roan Close, Riverclub Ext. 3, Sandton 2149, South Africa

[**] Term: 14 Years

[21] Appl. No.: 974,629

[22] Filed: Dec. 29, 1978

[51] Int. Cl. D21-01
[52] U.S. Cl. D21/191
[58] Field of Search D21/191, 192, 193, 195, D21/196, 197, 198; 272/93, 102, 103, 109, 70.3, 72, 116, 125, 127, 134, 139, 141, 144

[56] References Cited

U.S. PATENT DOCUMENTS

3,545,748	12/1970	Delinger	272/134
3,834,694	9/1974	Pridgen	272/134
3,892,404	7/1975	Martucci	272/134

Primary Examiner—Charles A. Rademaker
Attorney, Agent, or Firm—Irvin S. Thompson

[57] CLAIM

The ornamental design for a physical exerciser, as shown.

DESCRIPTION

FIG. 1 is a perspective view of a physical exerciser showing my new design;
FIG. 2 is a left side elevational view thereof;
FIG. 3 is a top plan view thereof;
FIG. 4 is a right side elevational view thereof;
FIG. 5 is a bottom plan view thereof;
FIG. 6 is a front elevational view thereof; and,
FIG. 7 is a rear elevational view thereof.

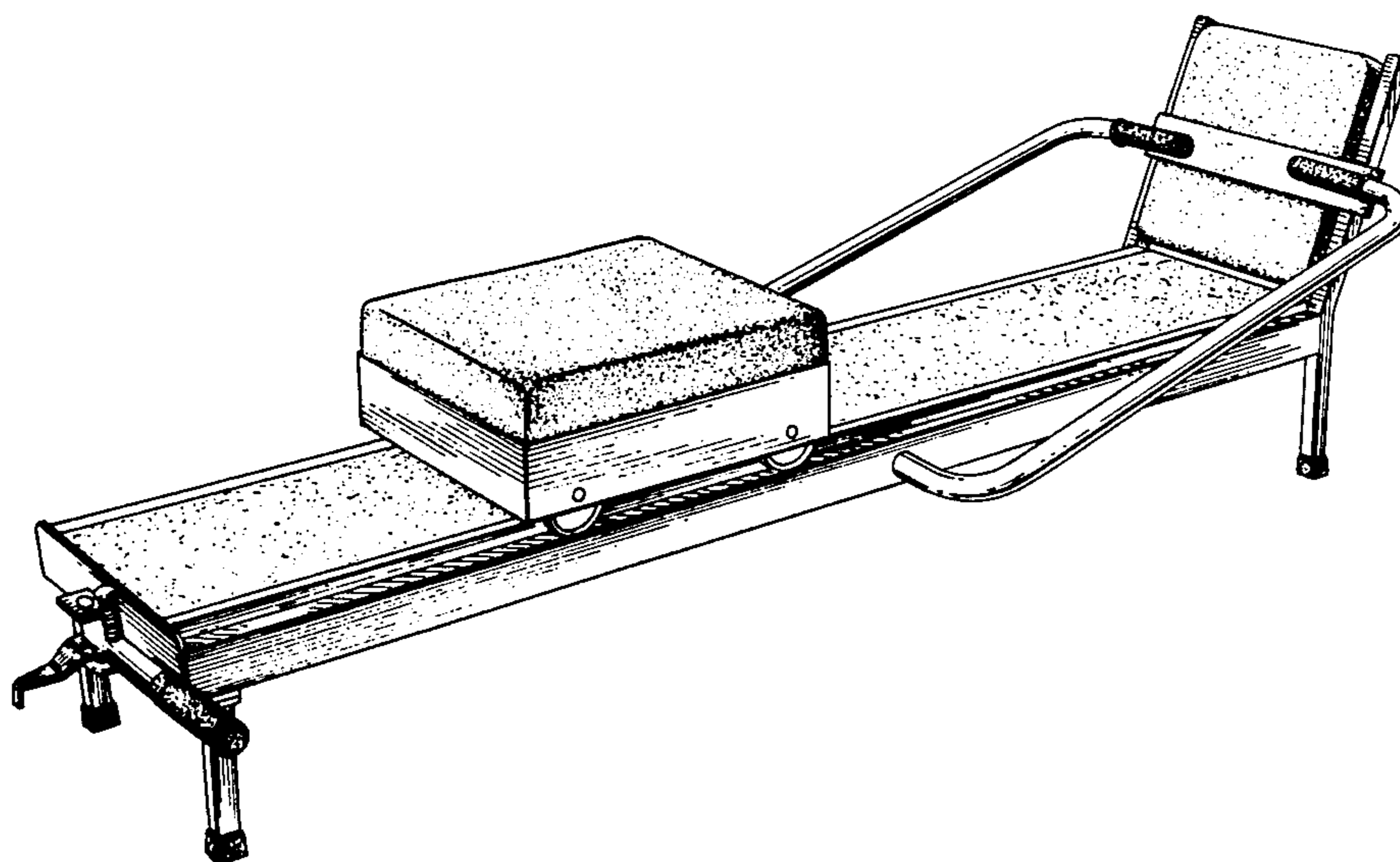


FIG. 1

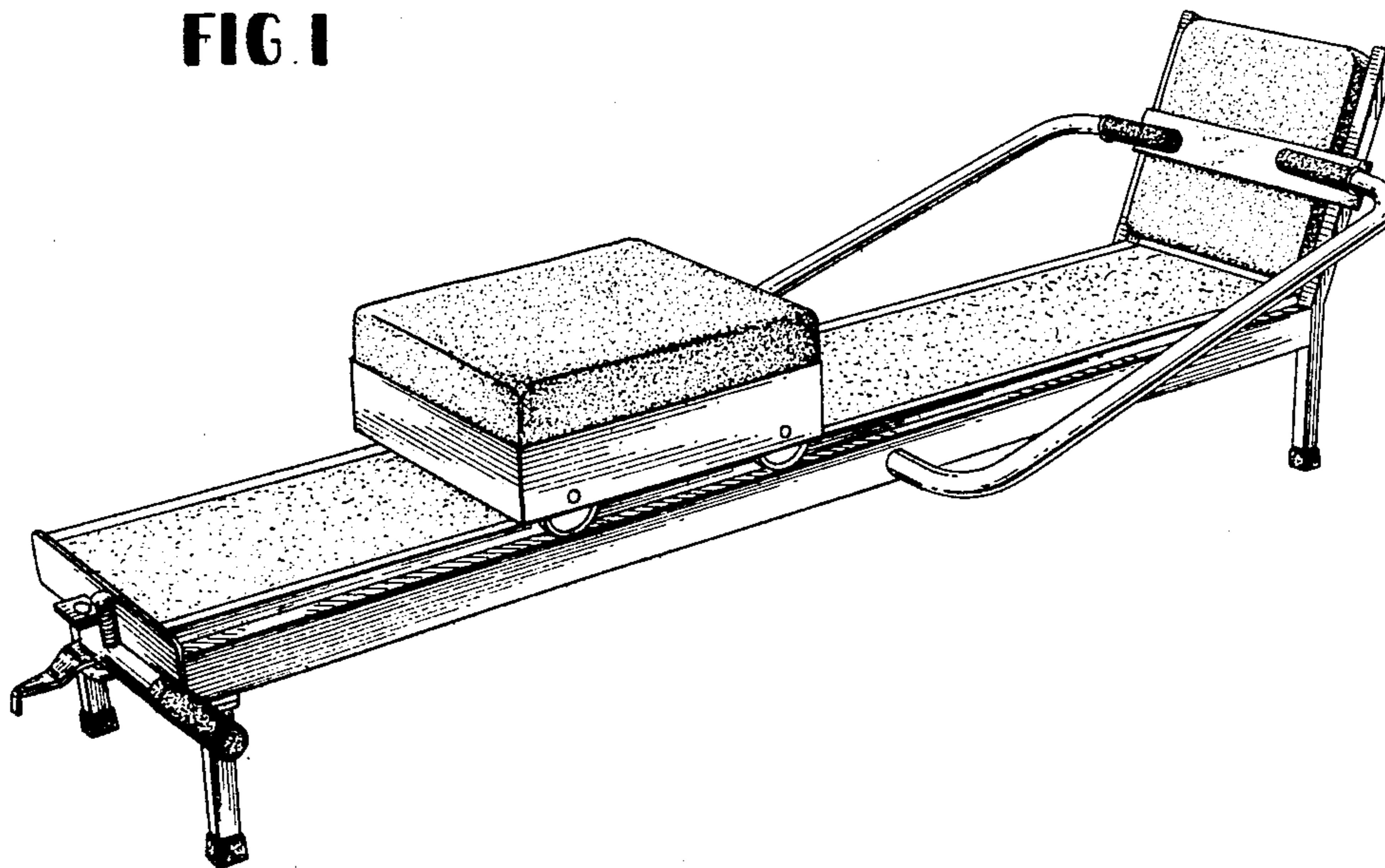


FIG. 2

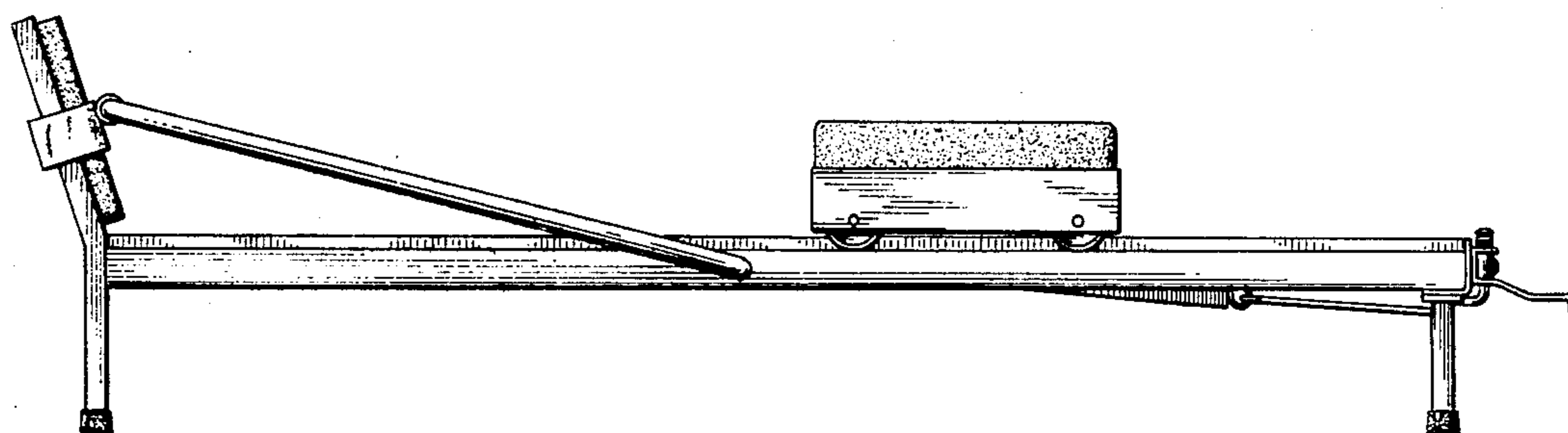


FIG. 3

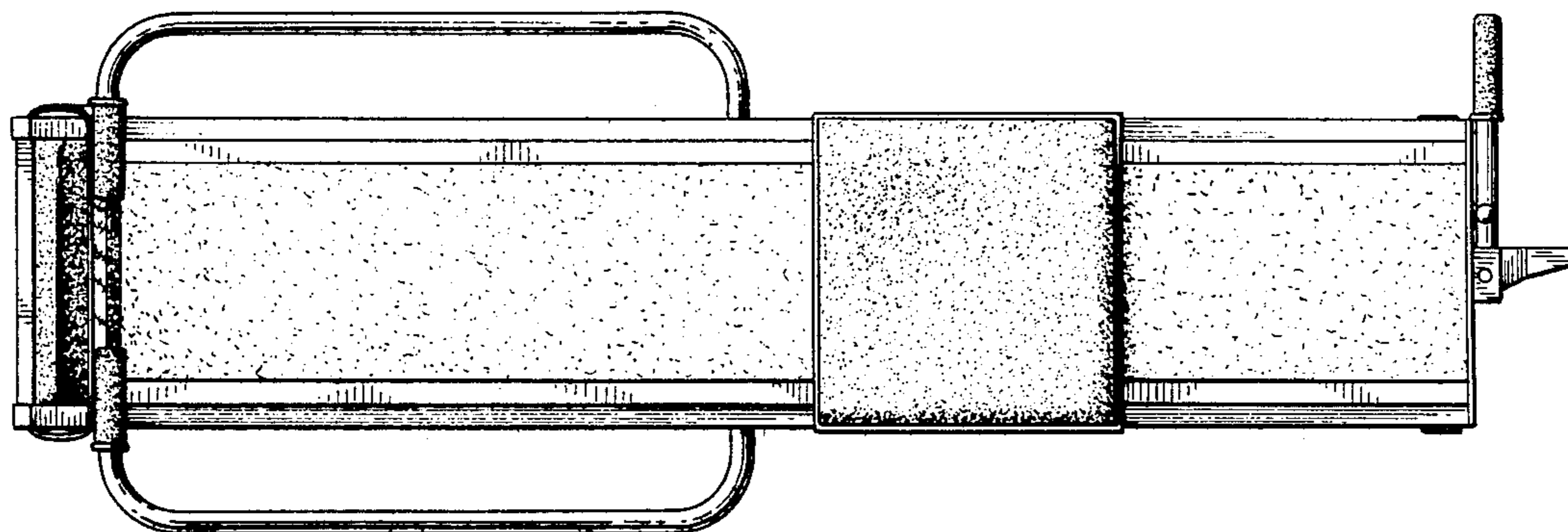


FIG. 4

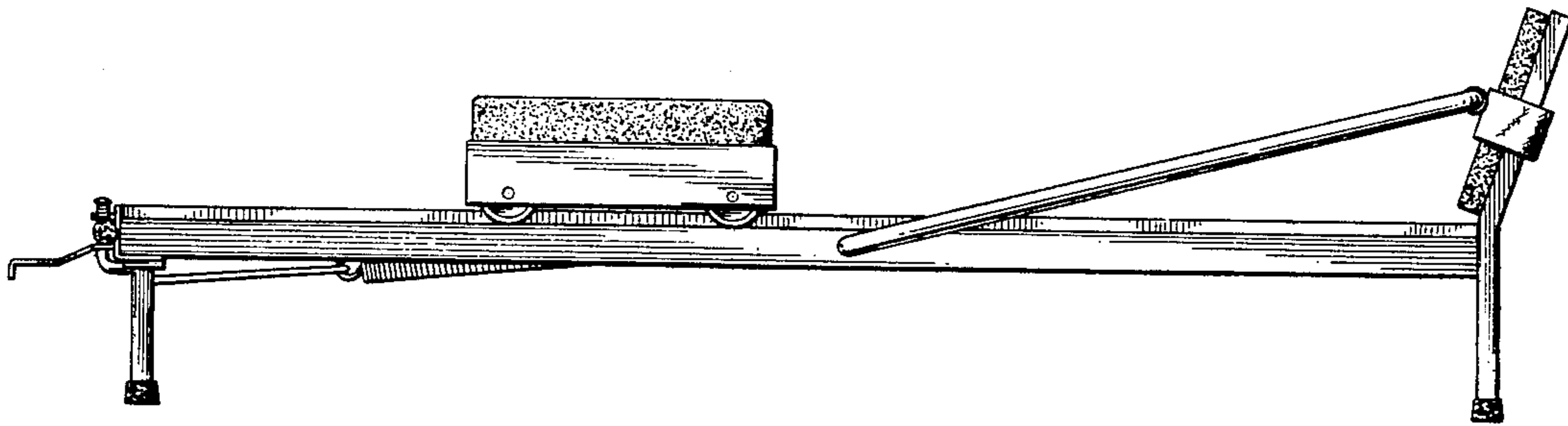


FIG. 5

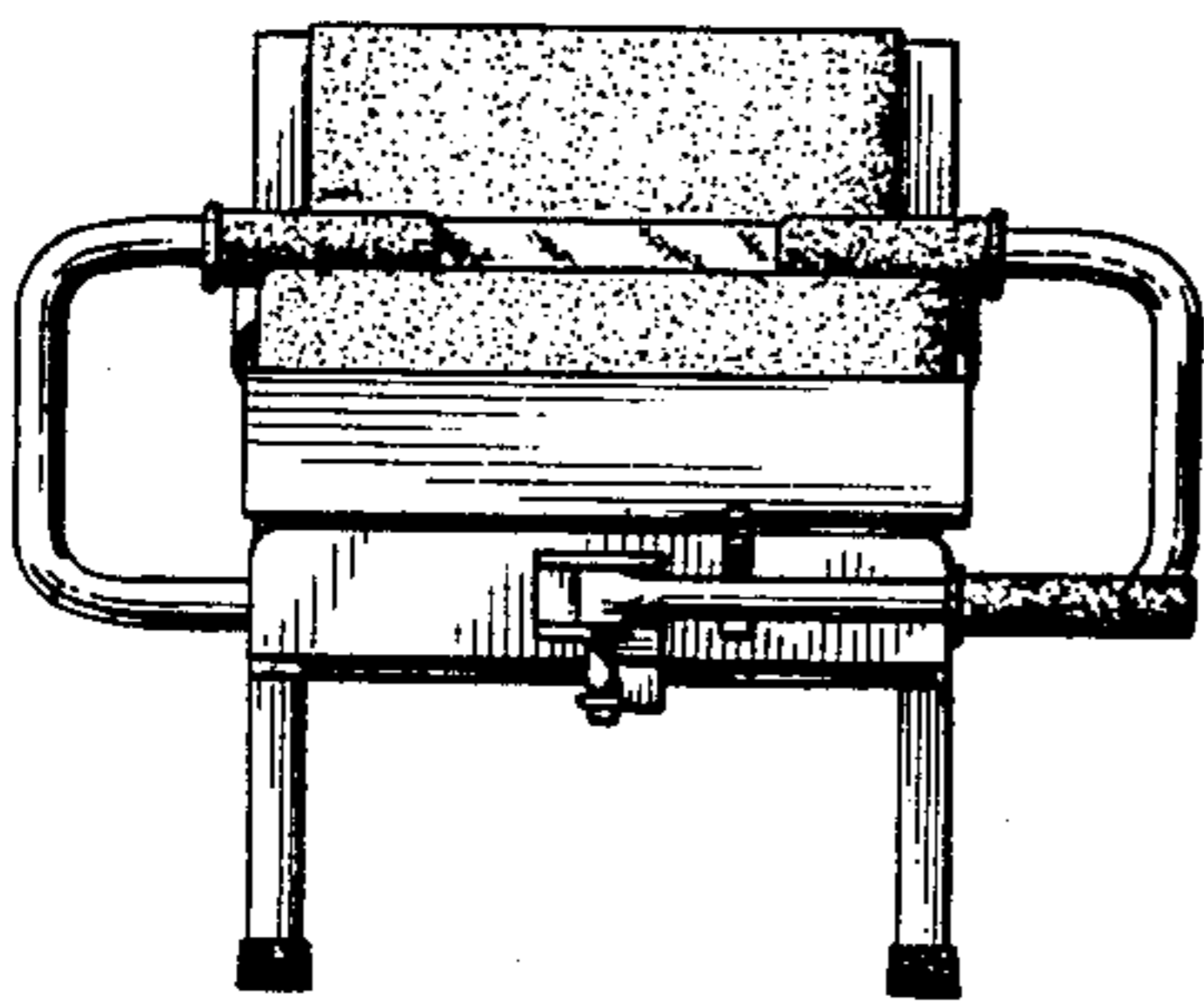
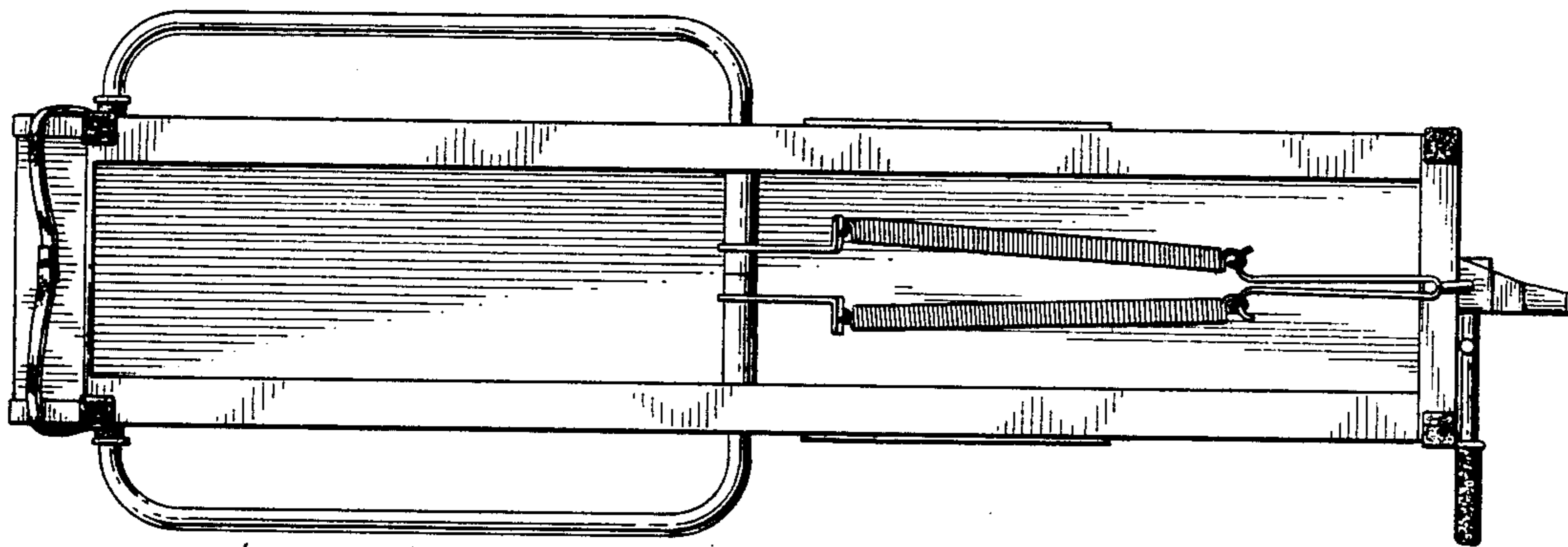


FIG. 6

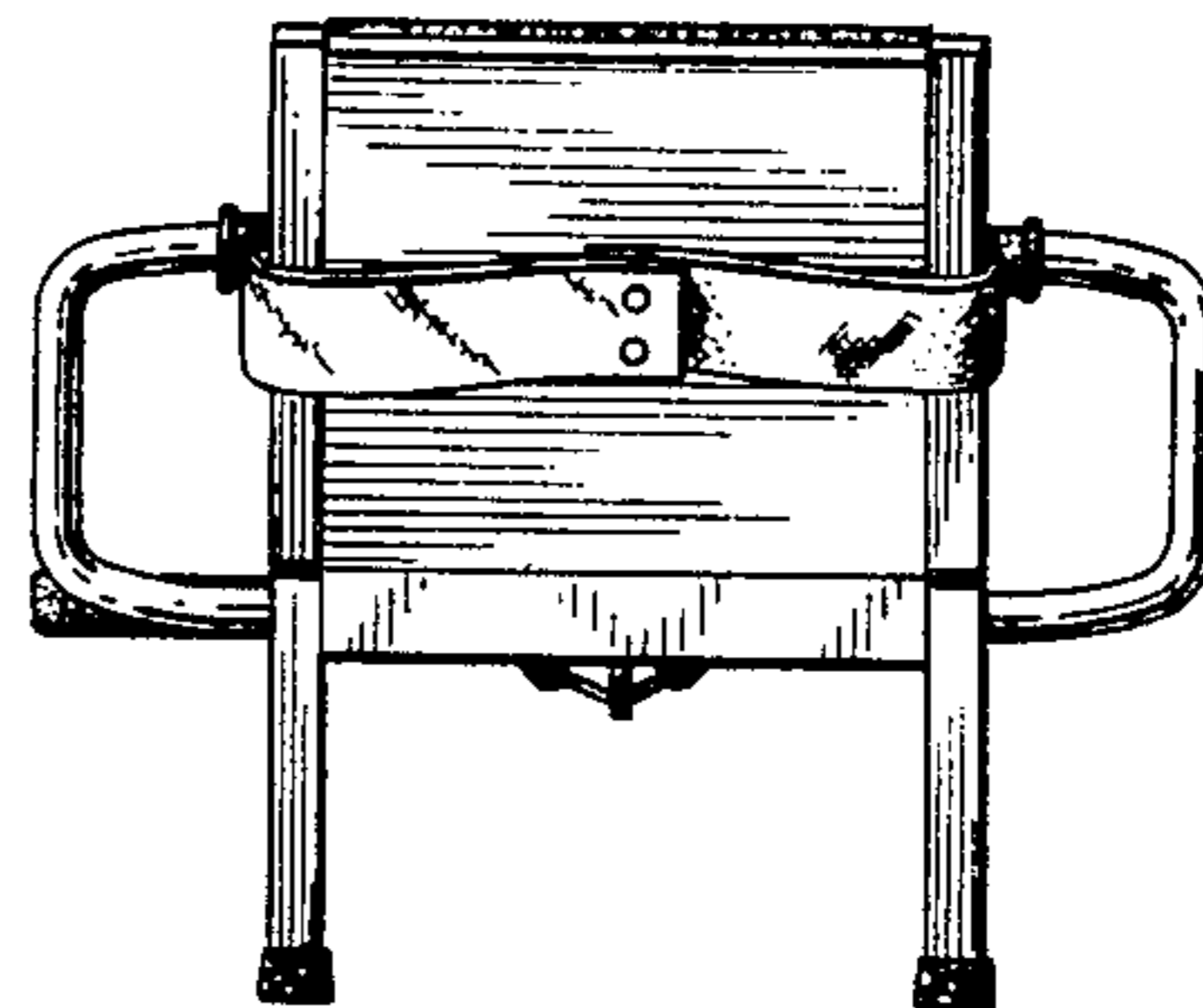


FIG. 7