

[54] TURNTABLE FOR RECORD PLAYER

[75] Inventor: Takeshi Matumaru, Tokyo, Japan

[73] Assignee: Nippon Columbia Co. Ltd., Tokyo, Japan

[**] Term: 14 Years

[21] Appl. No.: 834,392

[22] Filed: Sep. 19, 1977

[51] Int. Cl. D14-01

[52] U.S. Cl. D14/17; D6/146; D6/148; D14/25

[58] Field of Search D14/1, 5, 14, 17, 18, D14/25, 20, 33, 38, 68, 71, 72, 75, 79; D6/146, 148

[56] References Cited

U.S. PATENT DOCUMENTS

D. 192,669	4/1962	Chambers	D6/146
D. 226,890	5/1973	Neville	D6/146
D. 229,589	12/1973	Gregorutti	D6/146 X
D. 234,158	1/1975	McQuarrie	D14/25 X

OTHER PUBLICATIONS

Merchandising, 6-77, p. 105, Circular Turntable.

Primary Examiner—Joel Stearman

Assistant Examiner—Jane E. Corrigan

Attorney, Agent, or Firm—Ernest A. Greenside

[57] CLAIM

The ornamental design for a turntable for record player, substantially as shown and described.

DESCRIPTION

FIG. 1 is a top and left side perspective view of a turntable for a record player showing my new design;

FIG. 2 is a partial front, top and partial left side perspective view;

FIG. 3 is a top plan view; and

FIG. 4 is a sectional view taken along lines 4-4 of FIG. 2.

The overhanging lip and the control housing of the turntable are symmetrical and plain, except for the control knobs and indicator window, the latter being transparent. The control housing base is cylindrical.

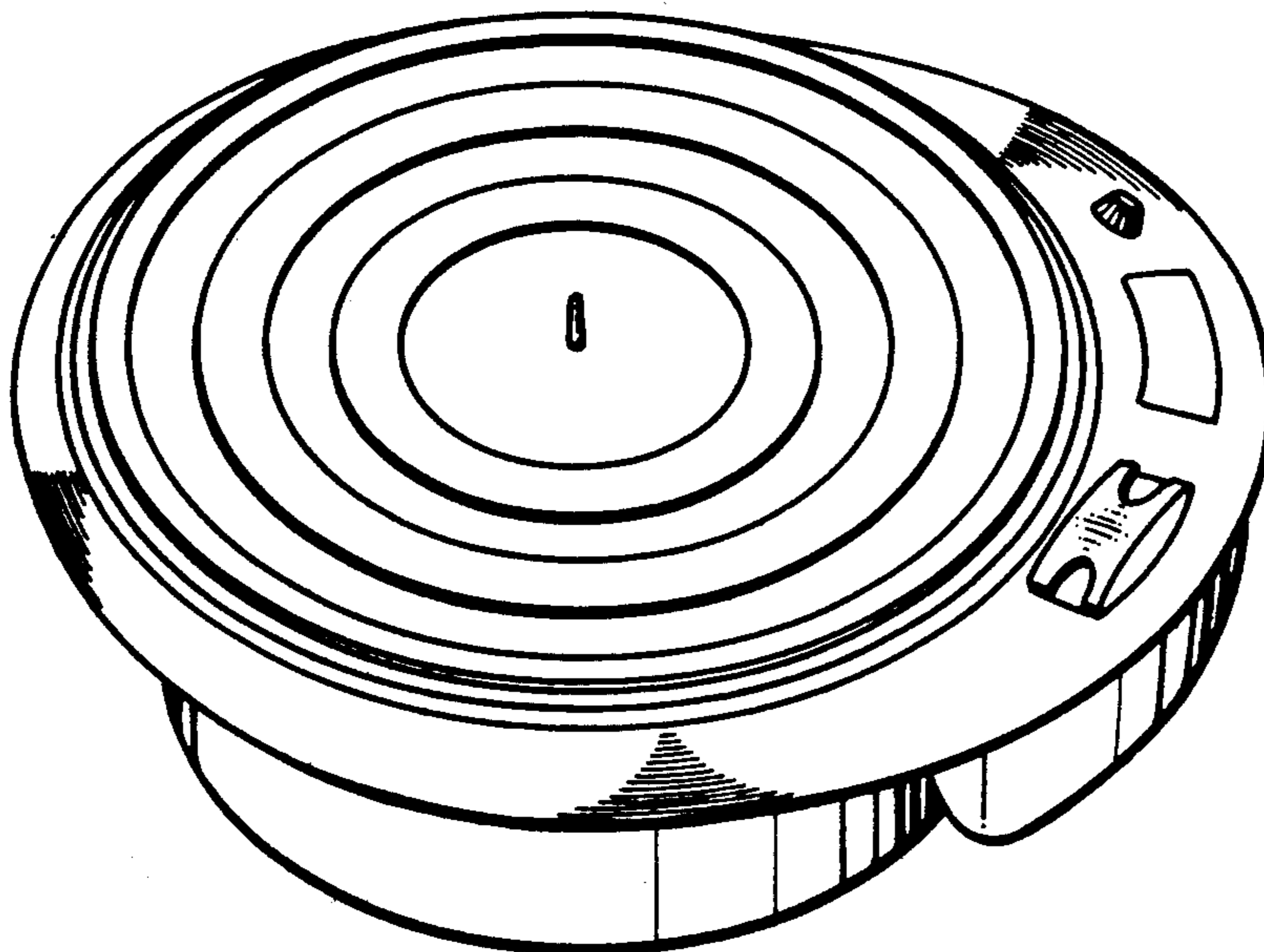


FIG.1

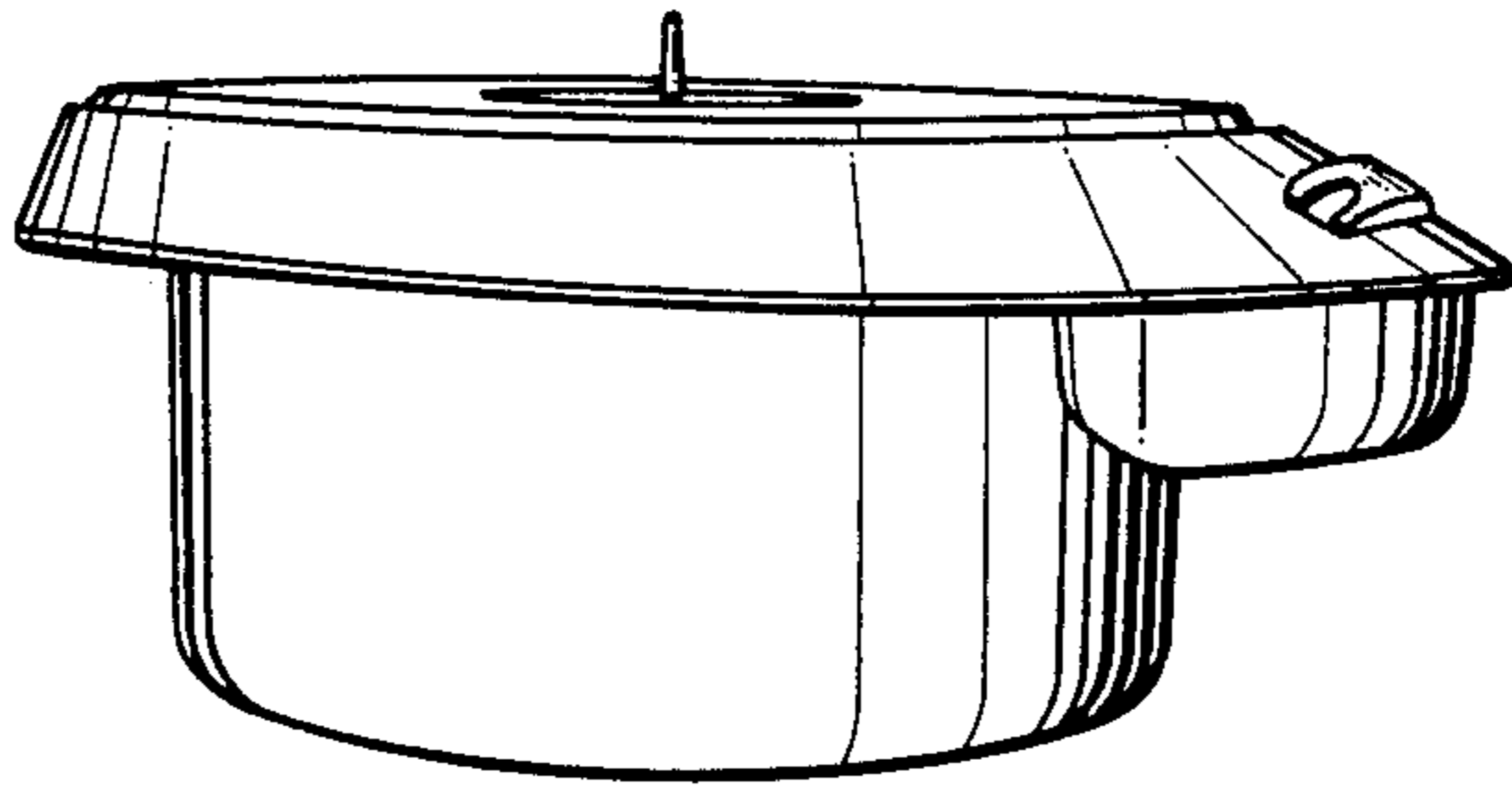


FIG.2

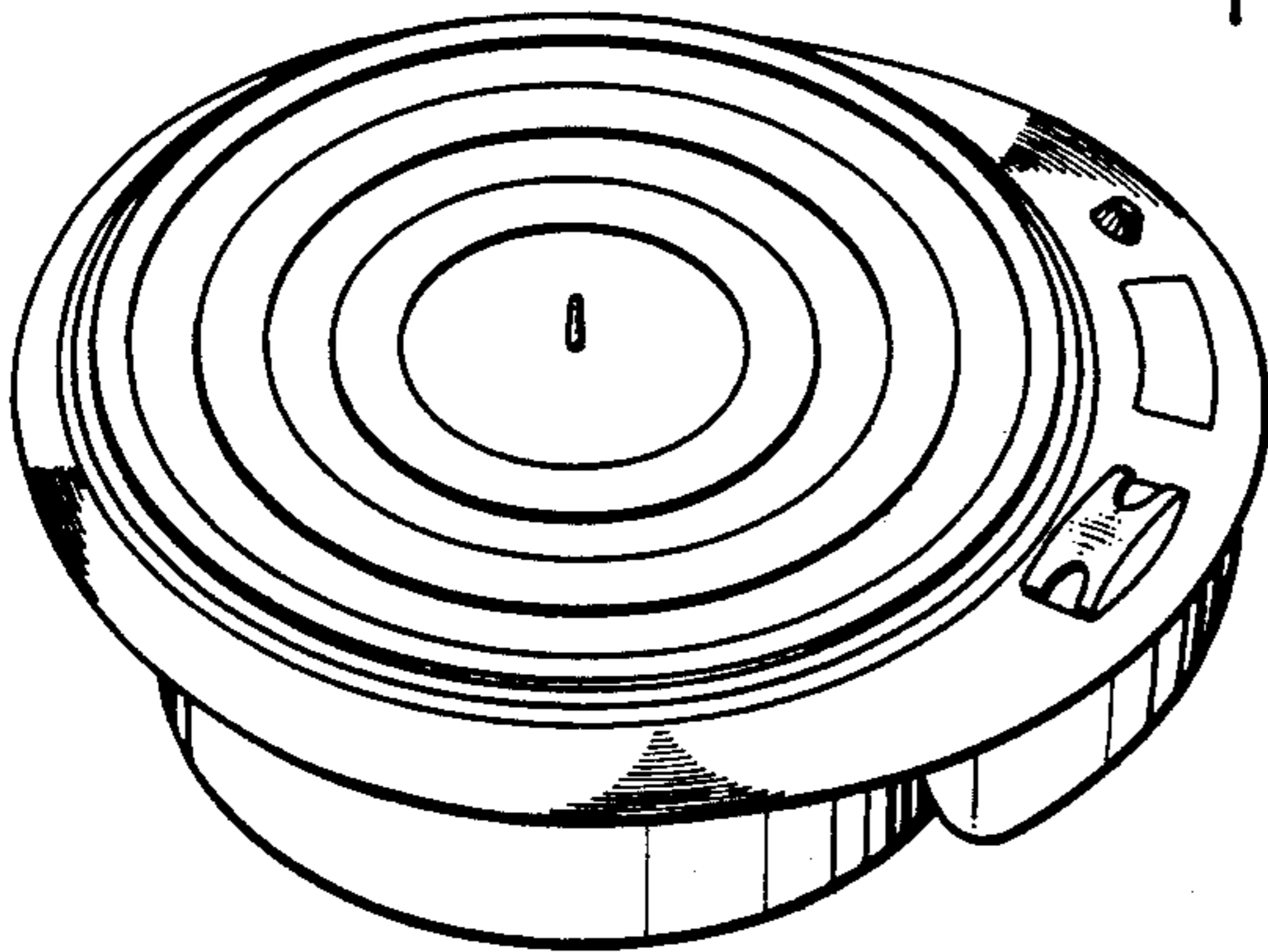


FIG.3

