

[54] BICYCLE WHEEL OR SIMILAR ARTICLE  
[75] Inventor: Lawrence F. Zielinski, Toledo, Ohio  
[73] Assignee: NL Industries, Inc., New York, N.Y.  
[\*\*] Term: 14 Years  
[21] Appl. No.: 45,984  
[22] Filed: Jun. 6, 1979

**Related U.S. Application Data**

[63] Continuation-in-part of Ser. No. 906,318, May 15, 1978, abandoned.  
[51] Int. Cl. .... D12-16  
[52] U.S. Cl. .... D12/205  
[58] Field of Search ..... D12/205, 209, 206; 301/63 R, 63 DD, 63 DT, 63 PW, 64 R, 64 SH, 64 SD, 65, 66

[56] **References Cited**  
**U.S. PATENT DOCUMENTS**  
D. 24,192 4/1895 Buckius ..... D12/205  
D. 235,431 6/1975 Scott ..... D12/205  
320,932 6/1885 Hammond ..... 301/65  
1,861,226 5/1932 O'Connor ..... 301/37 R

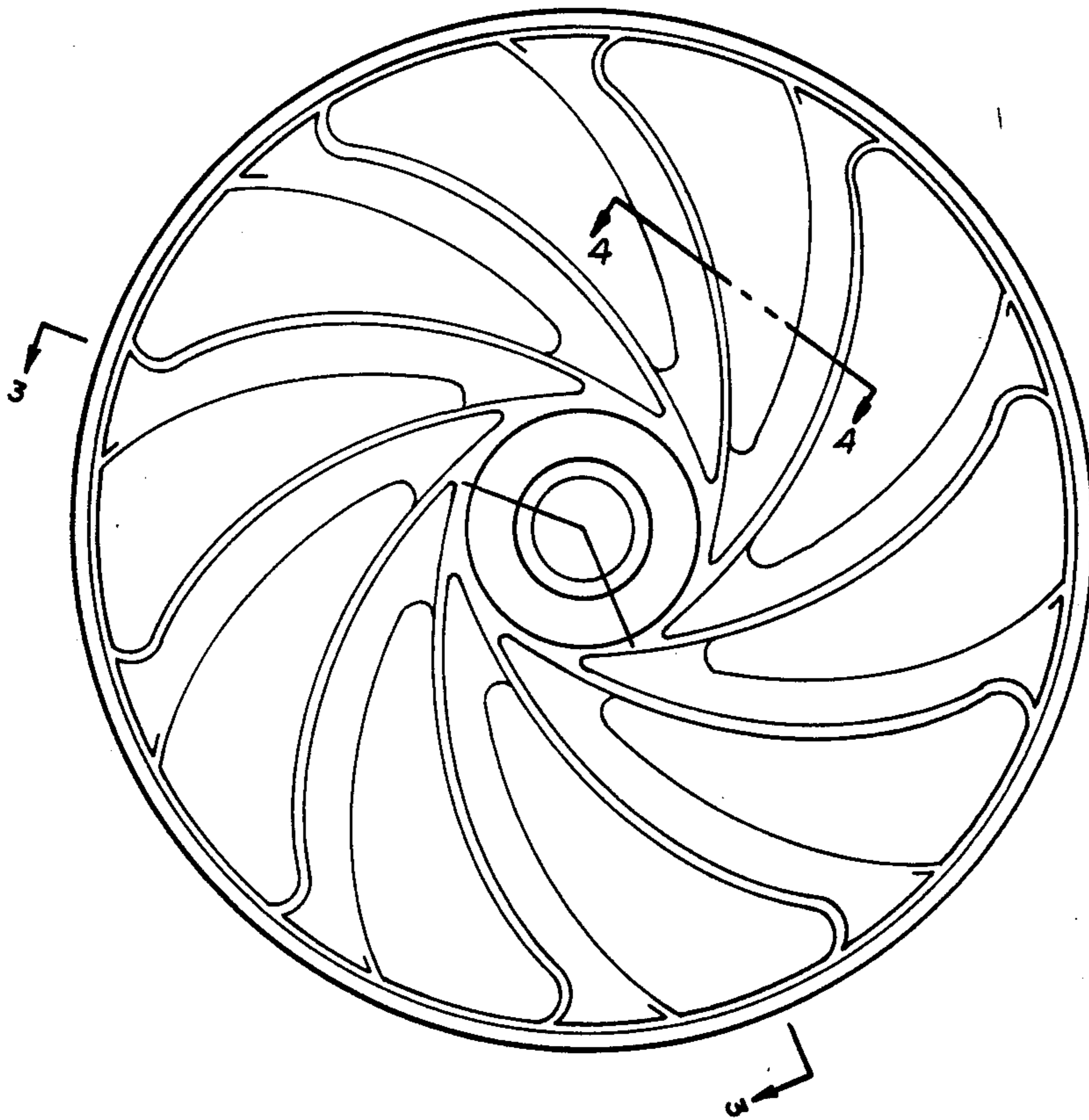
Primary Examiner—James M. Gandy  
Attorney, Agent, or Firm—Gerald K. White

[57] **CLAIM**

The ornamental design for a bicycle wheel or similar article, as shown and described.

**DESCRIPTION**

FIG. 1 is a side elevation view of a bicycle wheel or similar article showing my new design; FIG. 2 is an end elevation view thereof; FIG. 3 is an enlarged cross-sectional view thereof taken on the line 3—3 in FIG. 1; and FIG. 4 is an enlarged cross-sectional view thereof taken on the line 4—4 in FIG. 1.



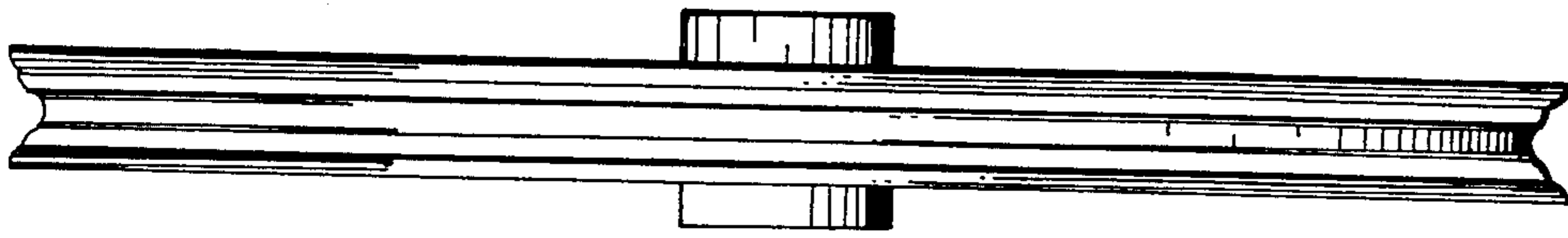


Fig. 2

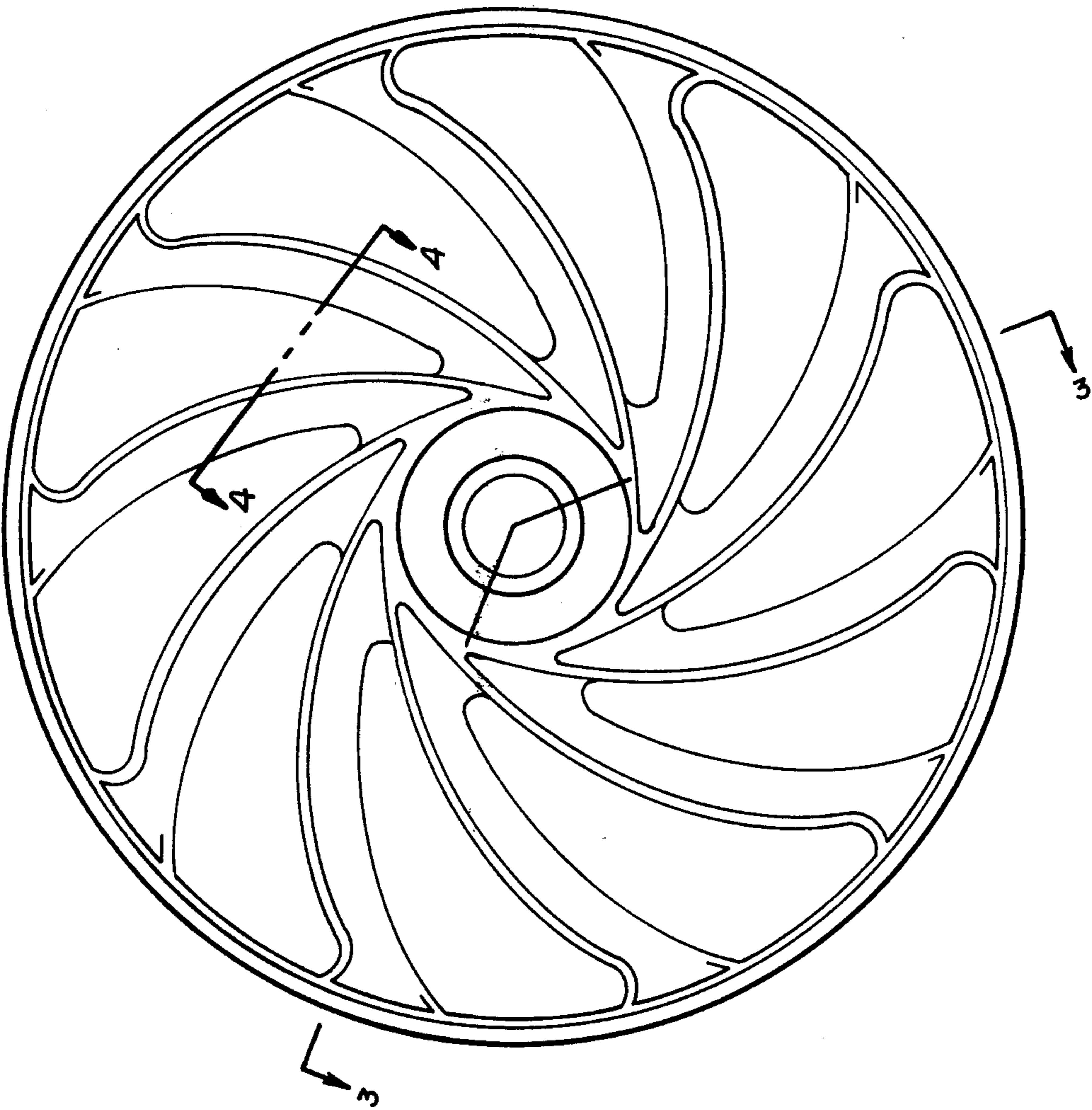
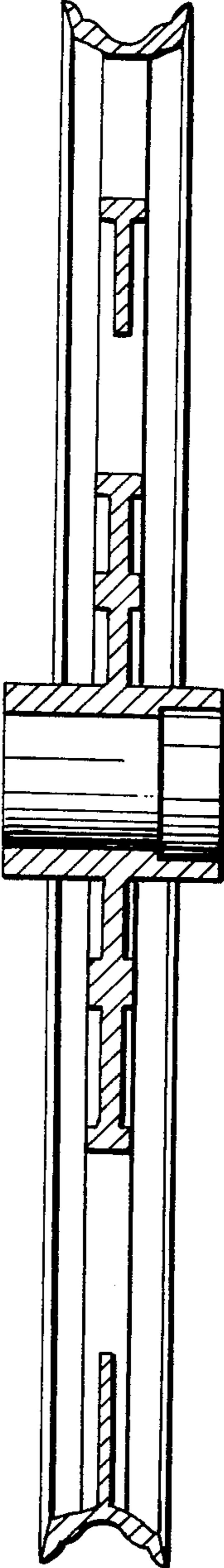
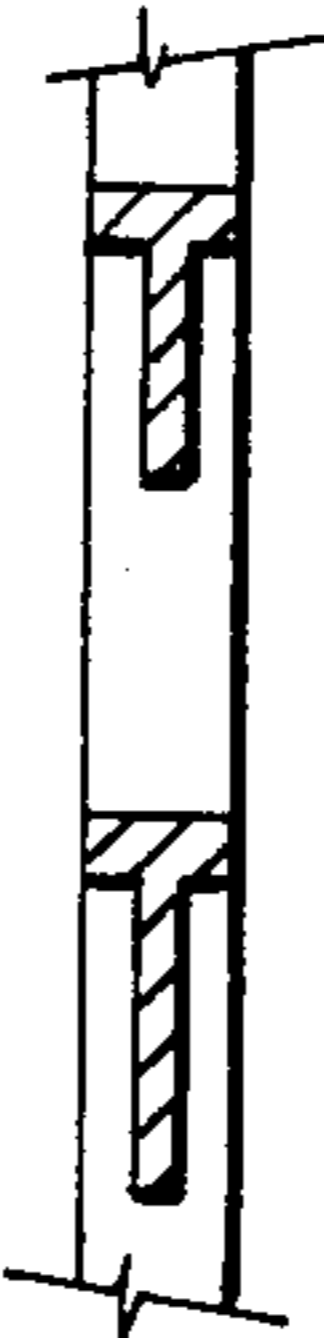


Fig. 1



*Fig. 3*



*Fig. 4*