

[54] **TIRE**

[75] **Inventor:** Loran C. Lopp, Jr., Wadsworth, Ohio

[73] **Assignee:** The Goodyear Tire & Rubber Company

[**] **Term:** 14 Years

[21] **Appl. No.:** 860,003

[22] **Filed:** Dec. 12, 1977

[51] **Int. Cl.** D12-15

[52] **U.S. Cl.** D12/143

[58] **Field of Search** D12/141-144,
D12/146-151; 152/209 R, 209 B, 209 D, DIG.

[56]

References Cited

U.S. PATENT DOCUMENTS

D. 207,151 3/1967 Wittenmyer D12/141
D. 215,524 9/1969 Schwall, Jr. et al. D12/142

OTHER PUBLICATIONS

1975 Tire Buyer's Guide, Spring/Summer Edition, p. 22. Tire, center left side of page.

Primary Examiner—James M. Gandy
Attorney, Agent, or Firm—Frank Pincelli

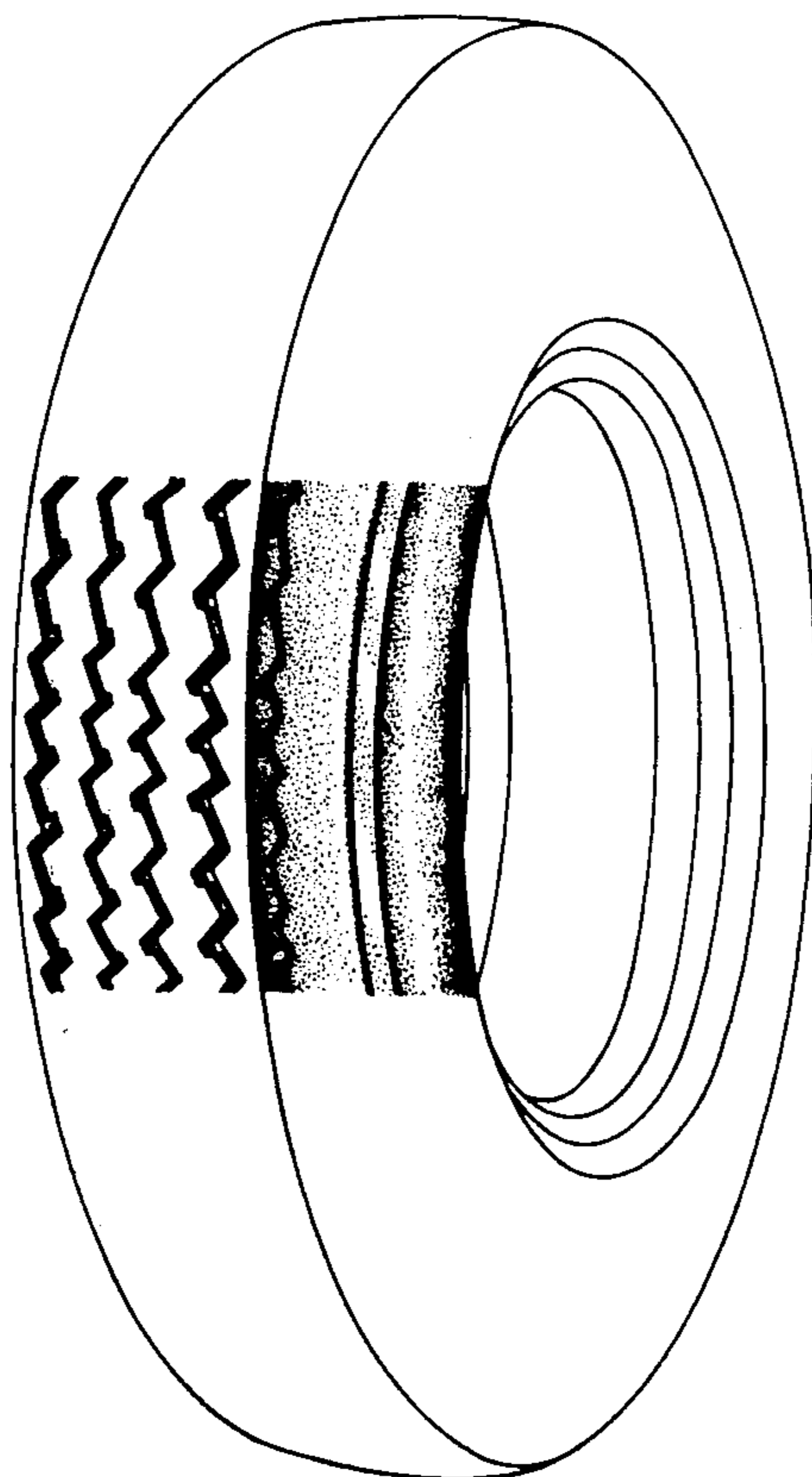
[57]

CLAIM

The ornamental design for a tire, substantially as shown and described.

DESCRIPTION

FIG. 1 is a perspective view of a tire showing my new design, it being understood that the tread design is repeated throughout the circumference of the tire as shown schematically in solid lines, the opposite side being substantially the same as that shown; and FIG. 2 is an enlarged fragmentary plan view thereof.



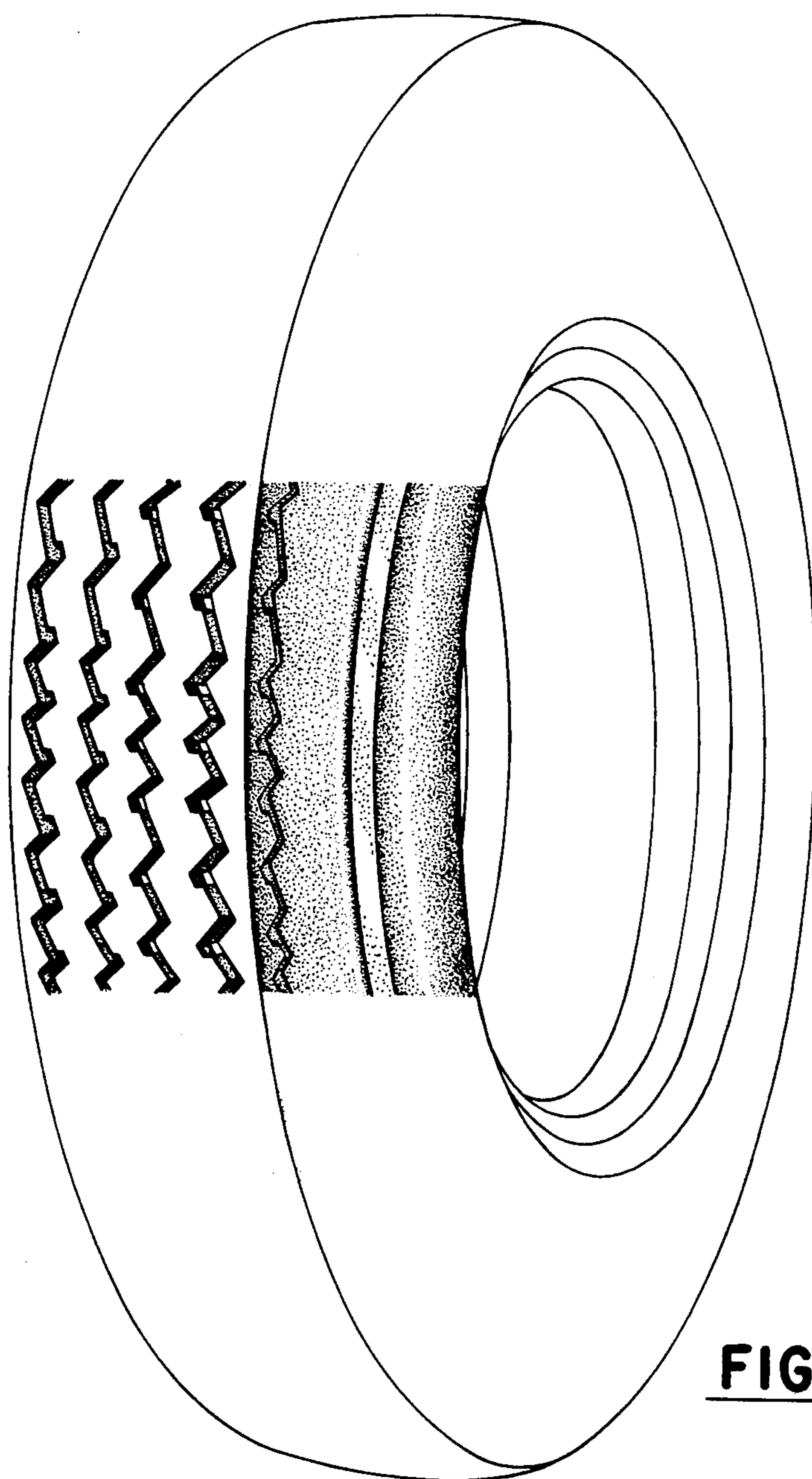


FIG. 1

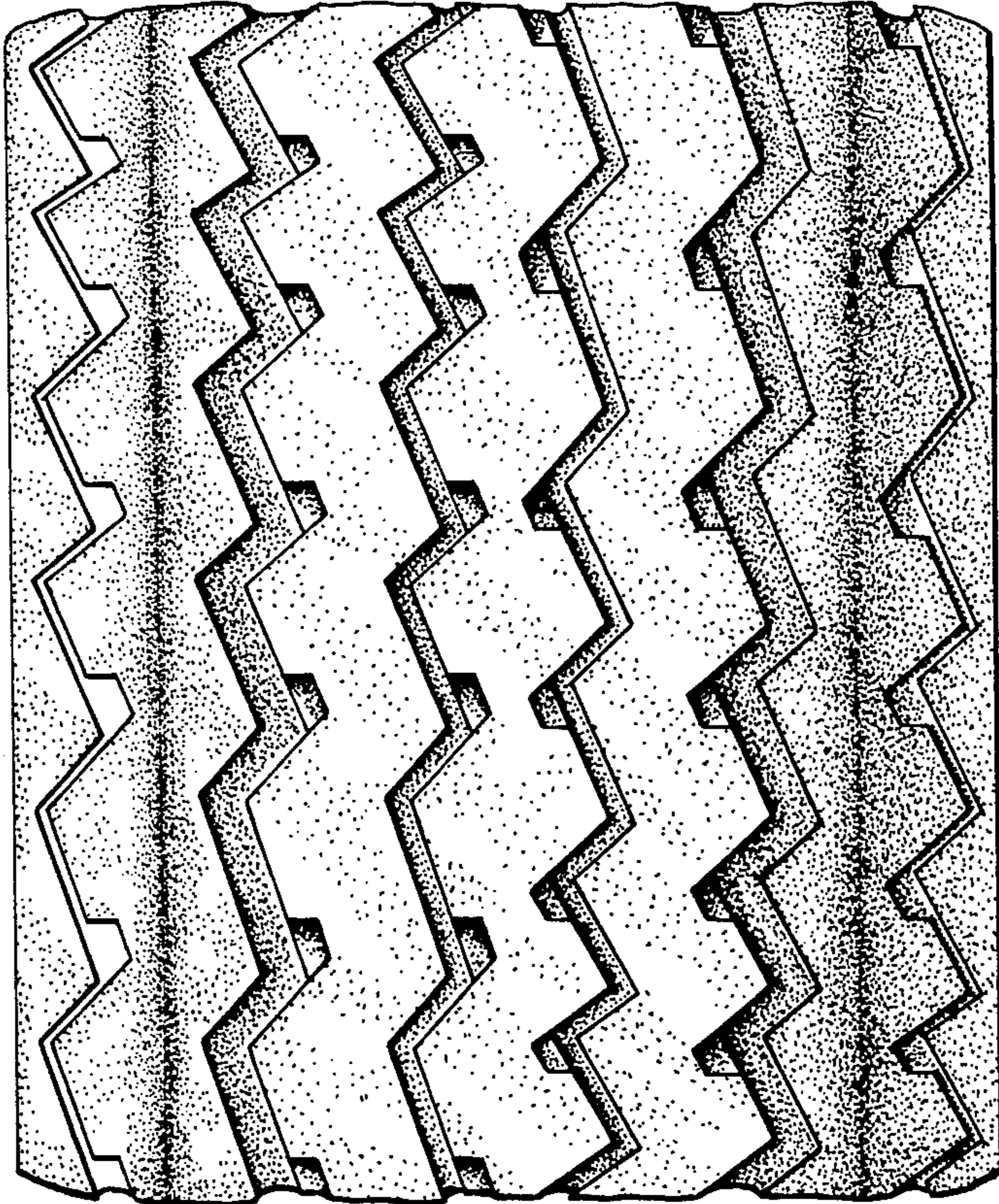


FIG. 2