

[54] RECEPTACLE FOR PROPAGATING THE GROWTH OF YOUNG PLANTS

[75] Inventor: Leonard G. Merritt, Watford, England

[73] Assignee: Merrittstyle Products Company, Hertfordshire, England

[\*\*] Term: 14 Years

[21] Appl. No.: 58,291

[22] Filed: Jul. 17, 1979

[30] Foreign Application Priority Data

Jan. 24, 1979 [GB] United Kingdom ..... 988230/79

[51] Int. Cl. .... D11-02; D30-03

[52] U.S. Cl. .... D11/156; D30/13

[58] Field of Search ..... D11/143-149, D11/152-156, 164; D30/13; 47/66, 83, 87

[56] References Cited

U.S. PATENT DOCUMENTS

D. 234,607	3/1975	Clugston .....	D30/13
D. 242,813	12/1976	Walker .....	D30/13
D. 247,357	2/1978	Gray .....	D11/143
1,365,479	1/1921	Gibbons .....	D30/13

Primary Examiner—Barbara J. Bullock

[57] CLAIM

The ornamental design for a receptacle for propagating the growth of young plants, substantially as shown and described.

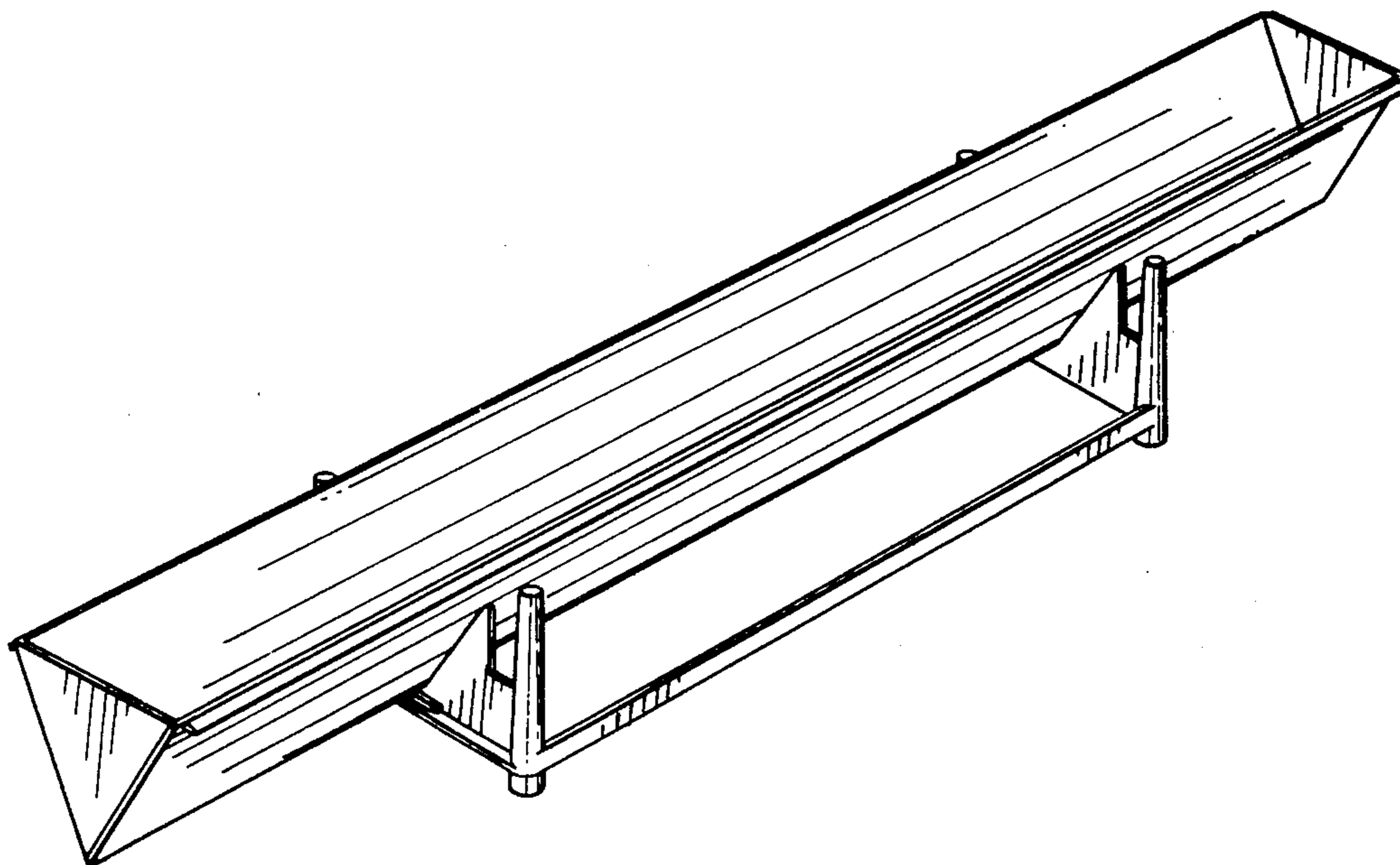
DESCRIPTION

FIG. 1 is a side elevational view of a receptacle for propagating the growth of young plants showing my new design, the opposite side being identical;

FIG. 2 is a perspective view thereof;

FIG. 3 is an enlarged end elevational view taken from the left of FIG. 2, the end opposite being a mirror image thereof;

FIG. 4 is an exploded perspective view thereof.



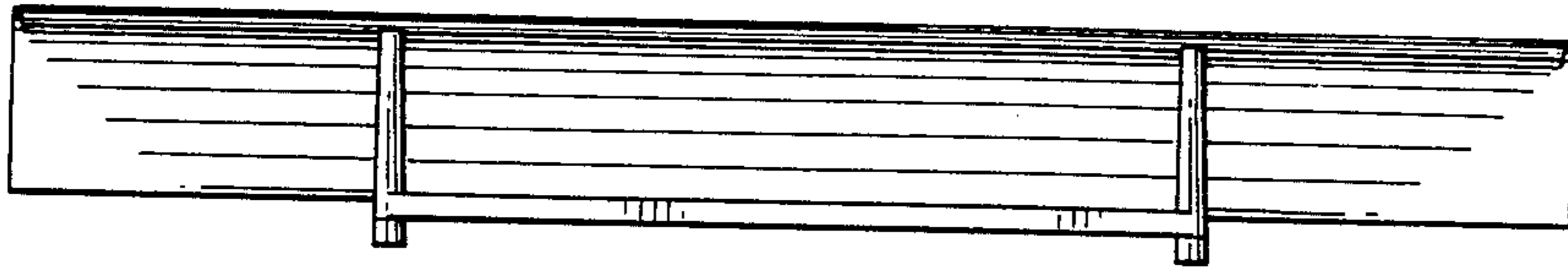


FIG. 1.

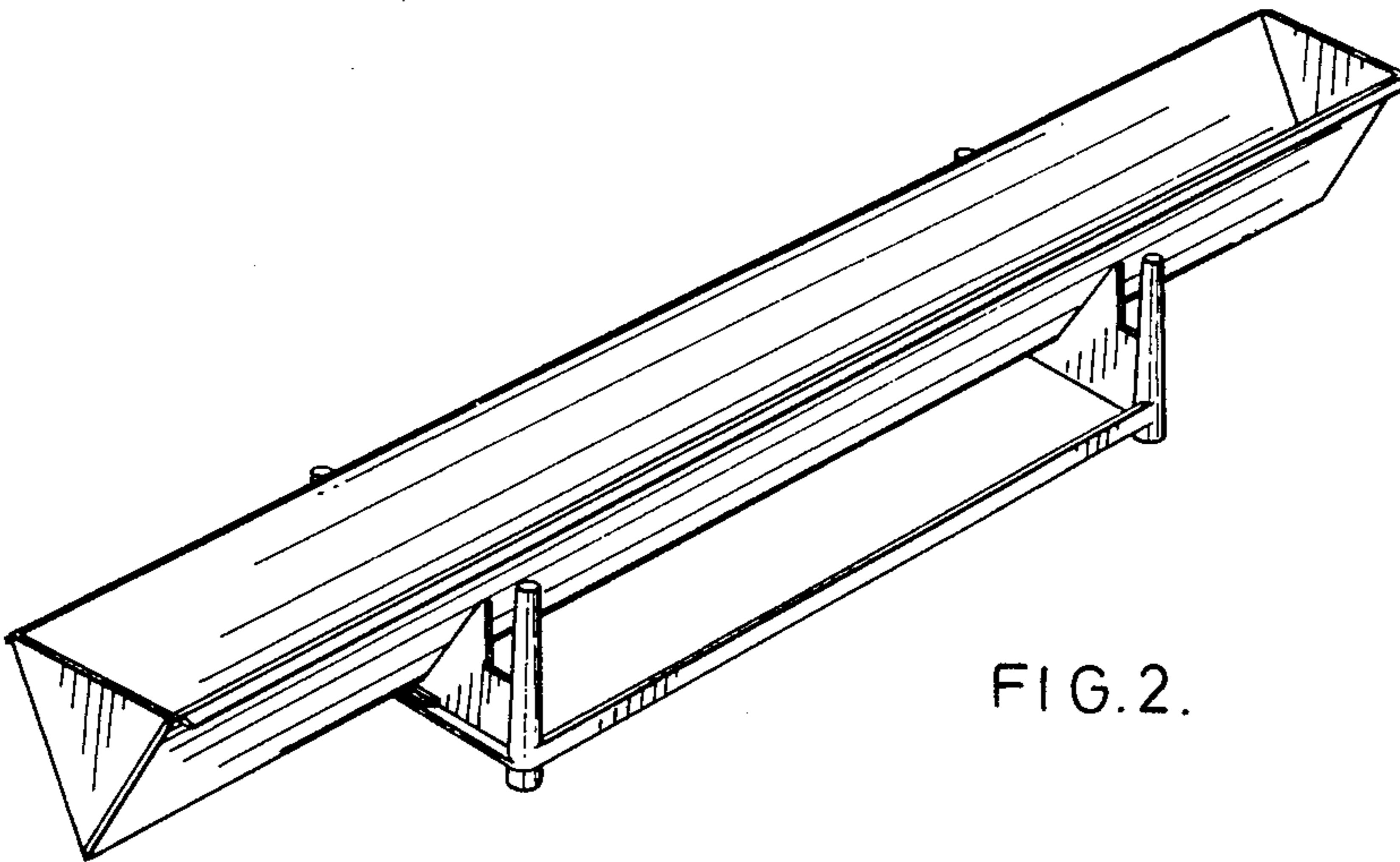


FIG. 2.

FIG. 3.

