

[54] ONE PIECE END PROTECTOR FOR AN INTEGRATED CIRCUIT PACKAGE

3,524,541 8/1970 Nelson ..... 206/328  
3,603,845 9/1971 Beers ..... 361/399 X  
3,908,153 9/1975 Cason, Jr. .... 206/331 X

[75] Inventors: Terrence M. Lubsen, Sunnyvale;  
Albert J. Hill, Santa Clara, both of Calif.

OTHER PUBLICATIONS

Electronics, 6-10-1976, p. 89-Integrated Circuit Package.

[73] Assignee: Signetics Corporation, Sunnyvale, Calif.

Primary Examiner—Susan J. Lucas  
Attorney, Agent, or Firm—Thomas A. Briody

[\*\*] Term: 14 Years

[57] CLAIM

[21] Appl. No.: 968,493

The ornamental design for a one piece end protector for an integrated circuit package, as shown and described.

[22] Filed: Dec. 11, 1978

DESCRIPTION

[51] Int. Cl. .... D9-99

[52] U.S. Cl. .... D9/294

[58] Field of Search ..... D13/40, 41, 99;  
206/328, 329, 330, 331, 332, 334; 361/393, 394,  
397, 399, 403, 413, 415, 419, 420, 426; D9/171,  
253, 254

FIG. 1 is a left front perspective view of a one piece end protector for an integrated circuit package showing our new design;

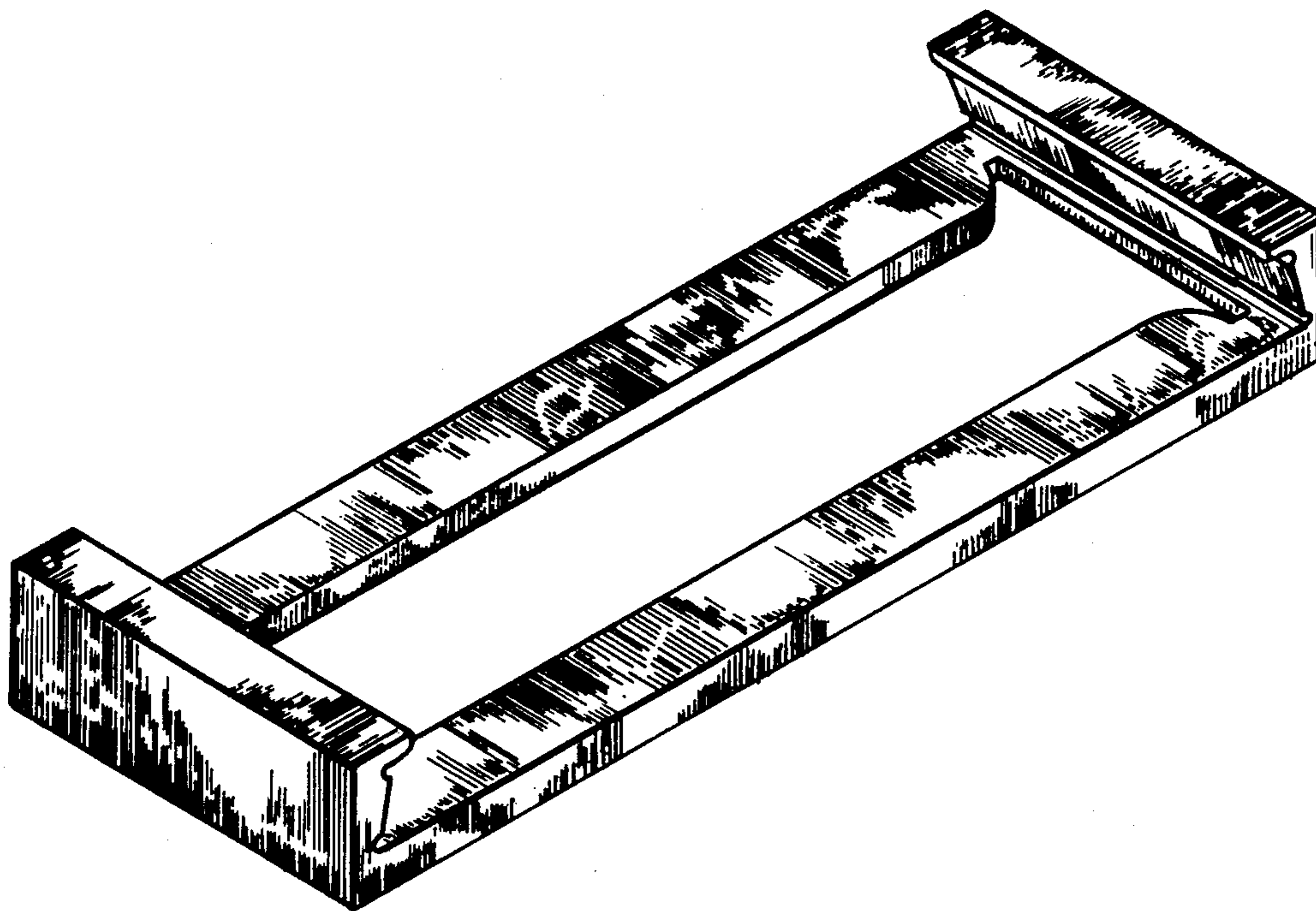
FIG. 2 is a top plan view thereof on an enlarged scale; FIG. 3 is a front elevational view thereof on an enlarged scale, the rear elevational view being identical thereto; and

FIG. 4 is a bottom plan view thereof on an enlarged scale.

[56] References Cited

U.S. PATENT DOCUMENTS

D. 228,446 9/1973 Paone ..... D9/294 X



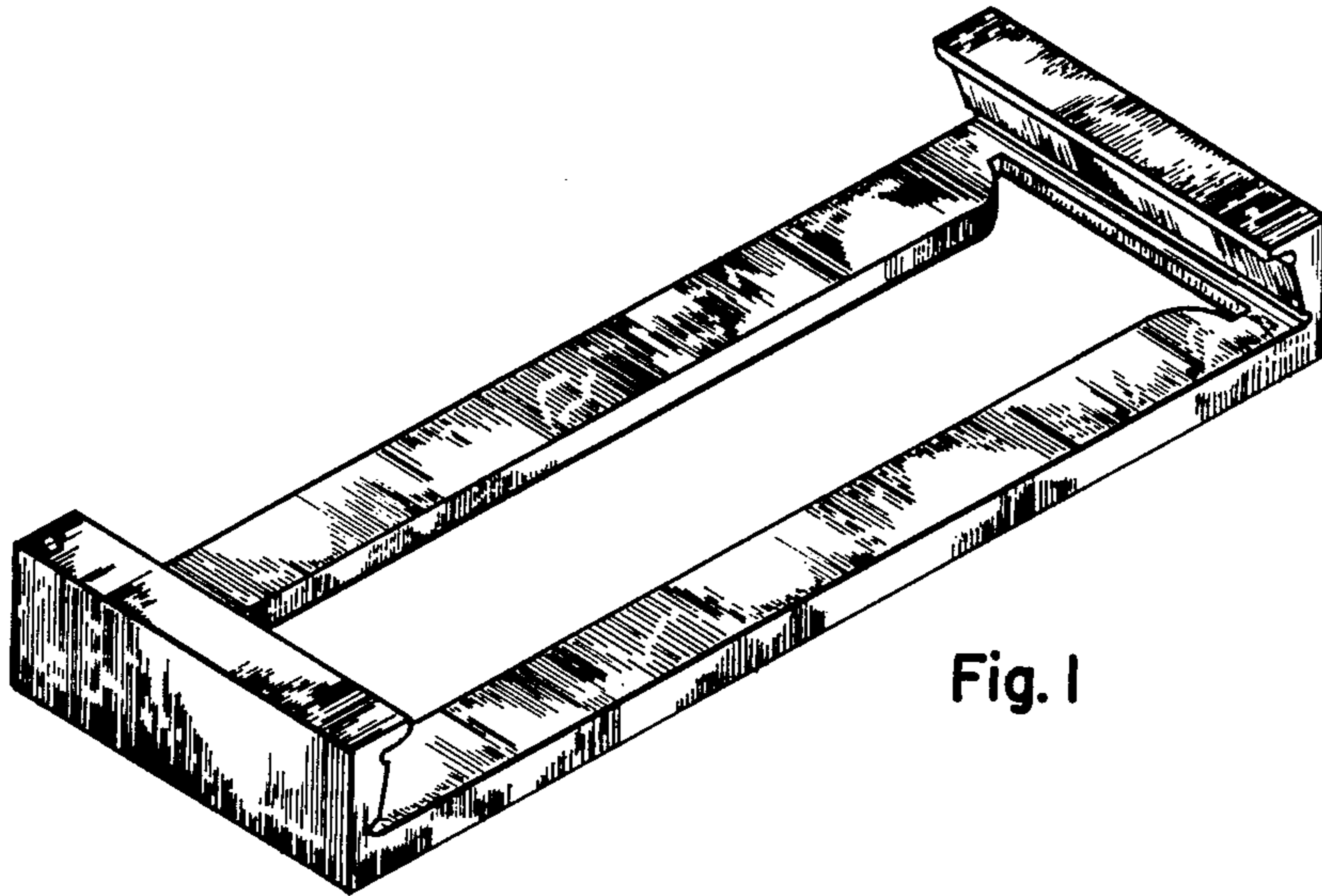


Fig. 1

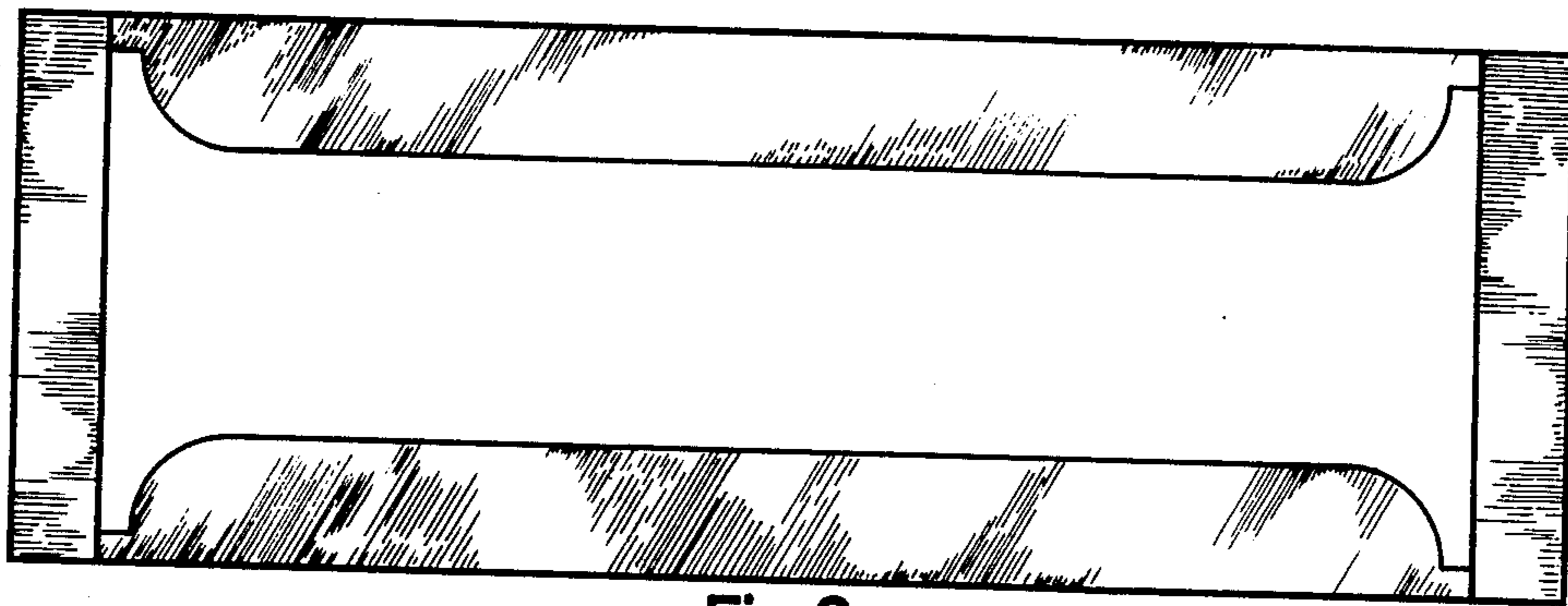


Fig. 2

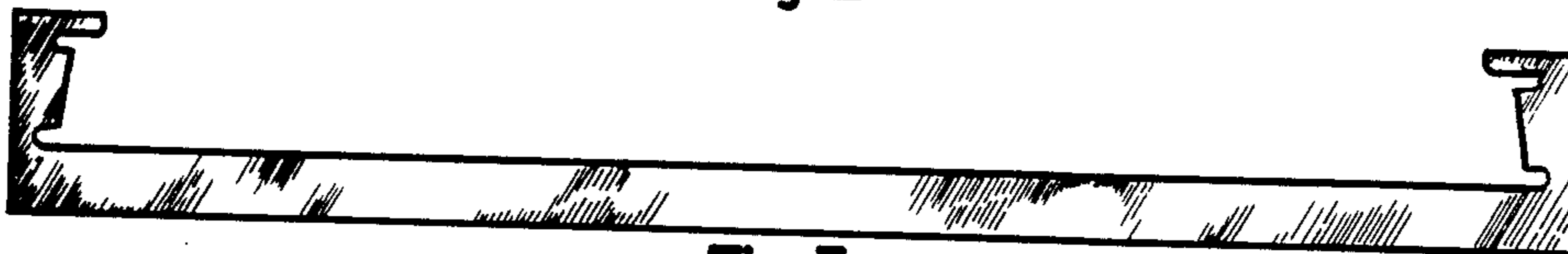


Fig. 3

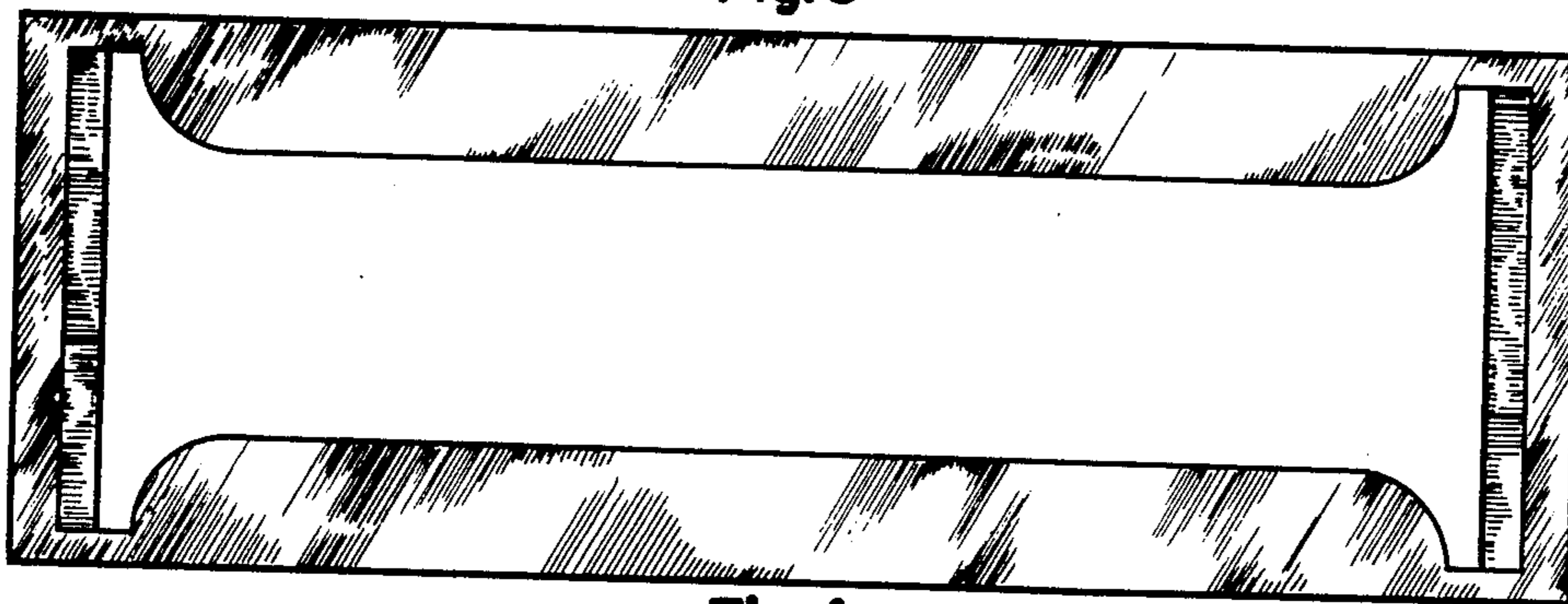


Fig. 4