

[54] **BOX**

[75] Inventor: **Darrell D. Fish**, Timonium, Md.

[73] Assignee: **Universal Security Instruments, Inc.**, Owings Mills, Md.

[**] Term: **14 Years**

[21] Appl. No.: **945,556**

[22] Filed: **Sep. 25, 1978**

[51] Int. Cl. **D9-03**

[52] U.S. Cl. **D9/196**

[58] Field of Search 229/8; D9/25, 196, 229

D. 214,262 5/1969 Paige D9/196
 2,665,522 1/1954 Junod D9/196 X
 3,261,619 7/1966 Norqaard, Jr. et al. 229/8 X
 4,055,250 10/1977 Mayhew 229/8 X

Primary Examiner—Robert C. Spangler
Attorney, Agent, or Firm—Howard L. Rose

[57] **CLAIM**

The ornamental design for a box, substantially as shown.

DESCRIPTION

FIG. 1 is a front perspective view of a box showing my new design;
 FIG. 2 is a rear perspective view;
 FIG. 3 is a top plan view;
 FIG. 4 is a side elevational view;
 FIG. 5 is a front elevational view; and
 FIG. 6 is a rear elevational view thereof.

[56] **References Cited**
U.S. PATENT DOCUMENTS
 D. 201,462 6/1965 Klein D9/196

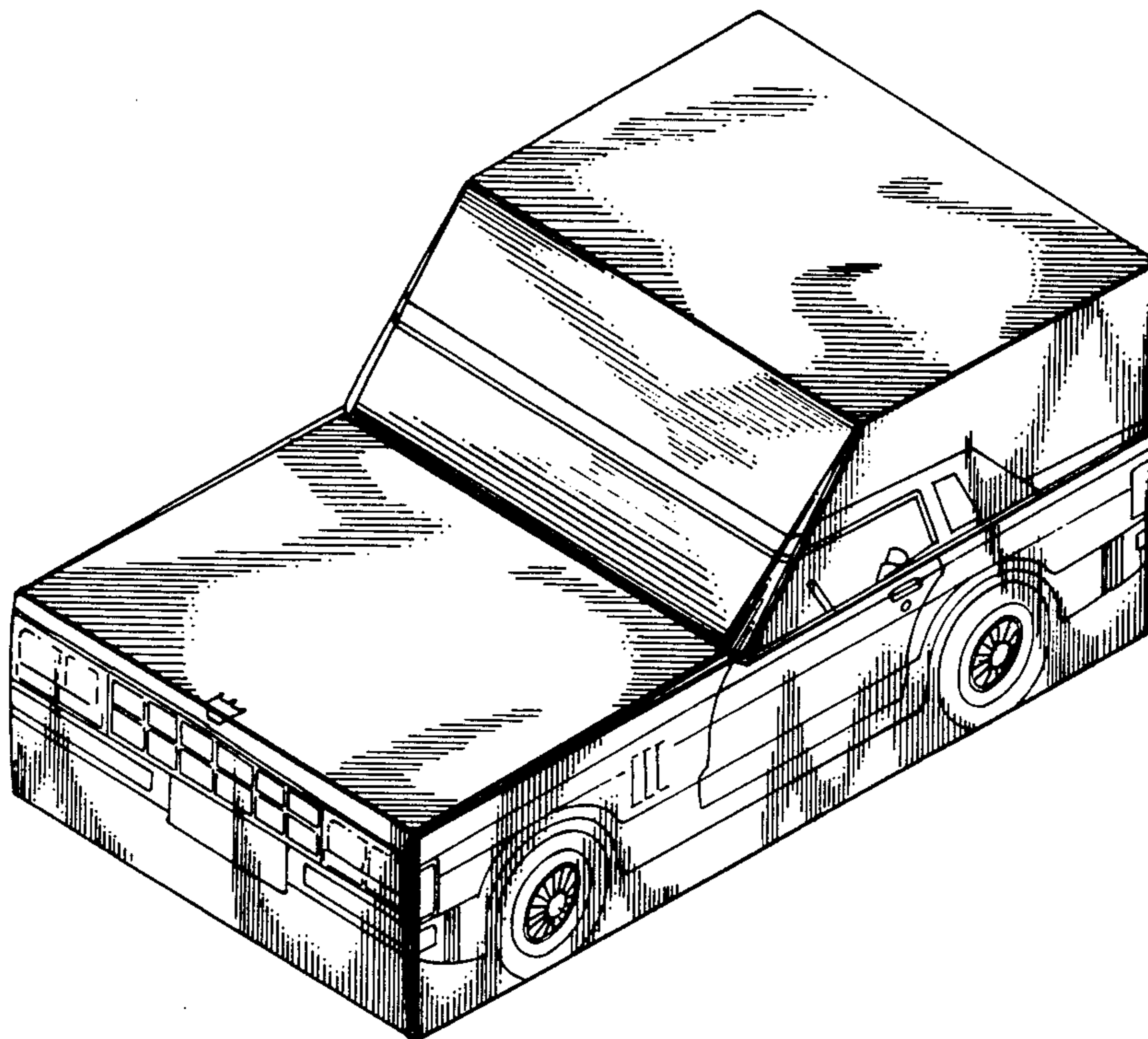


FIG. 1

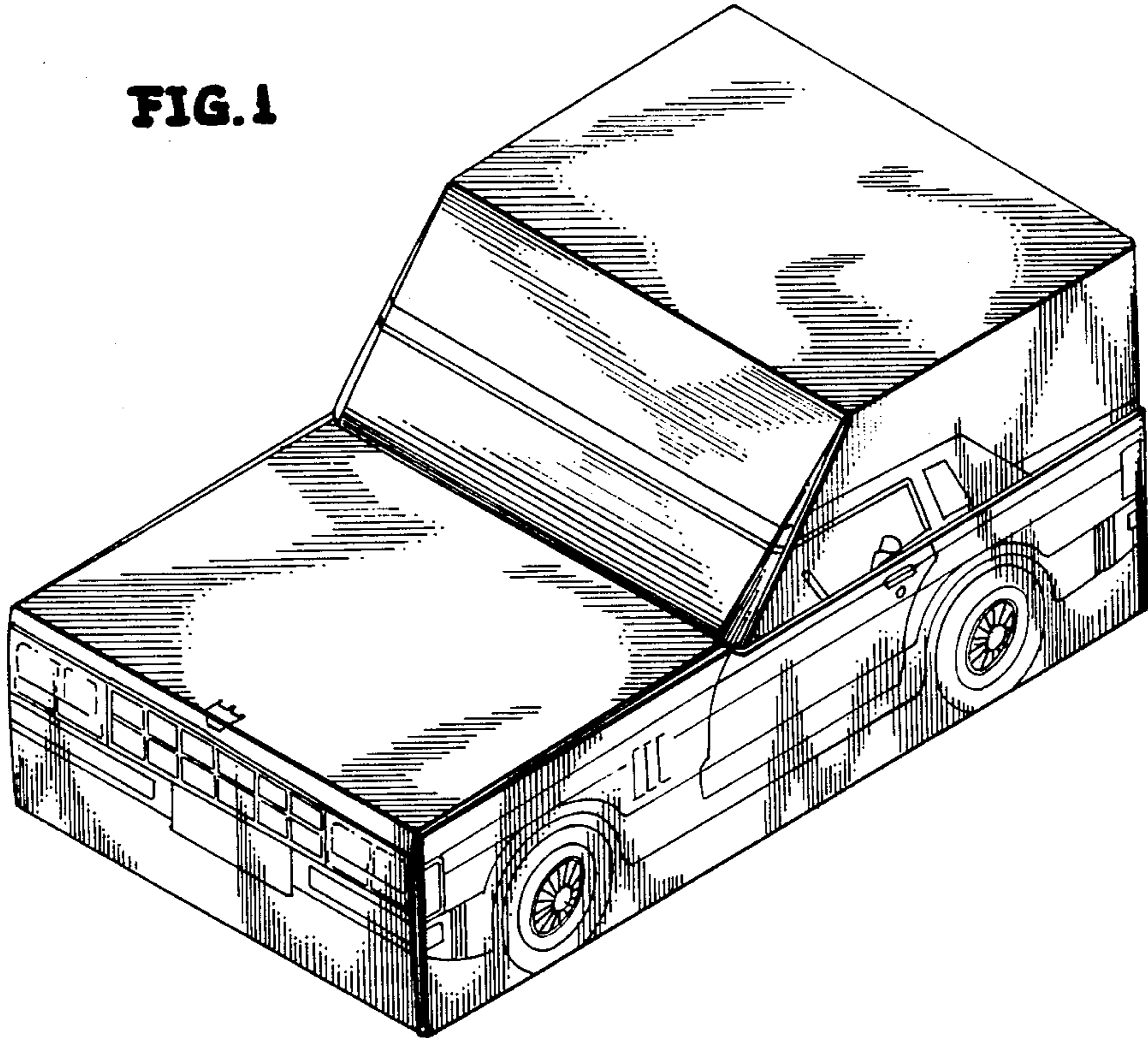


FIG. 2

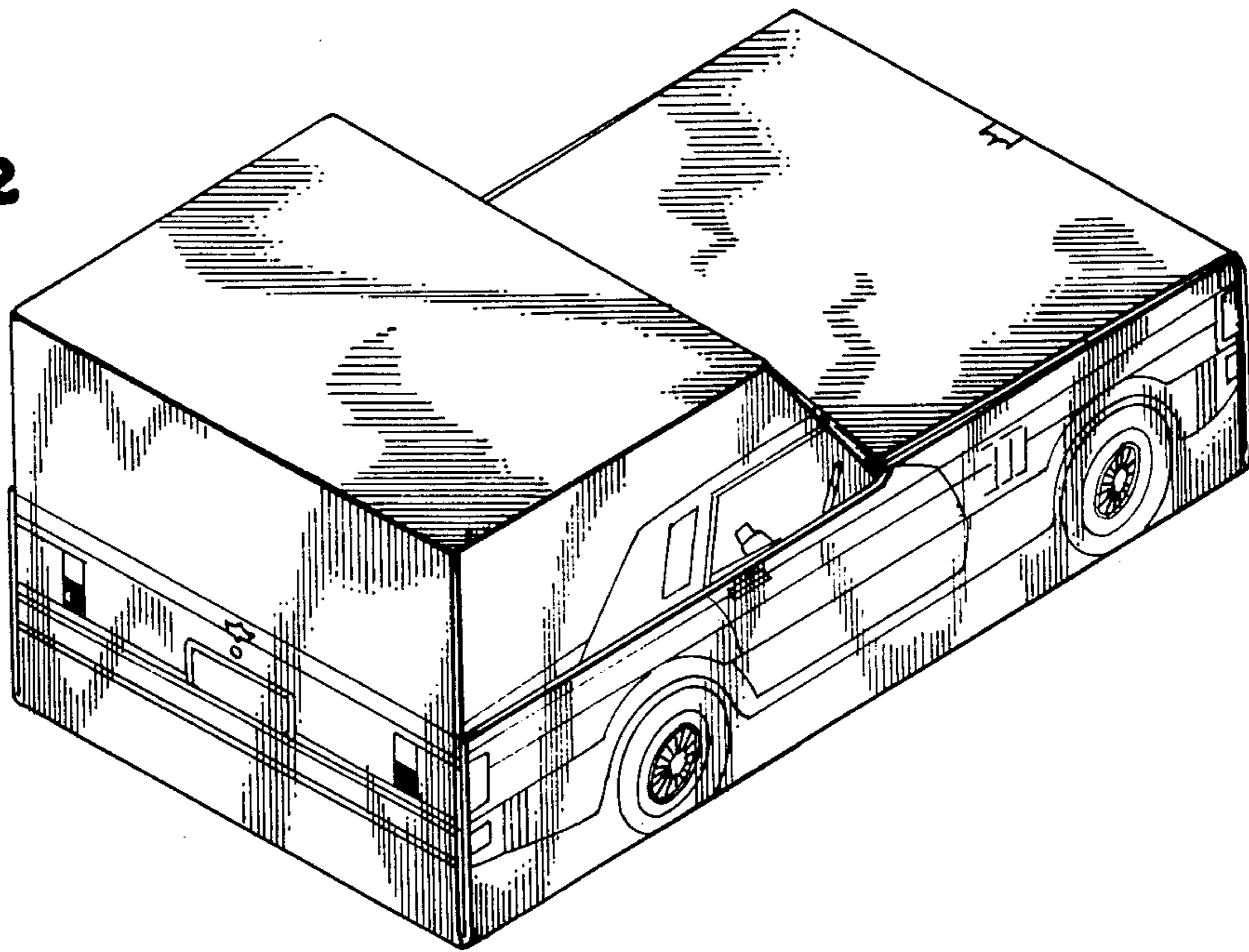


FIG. 3

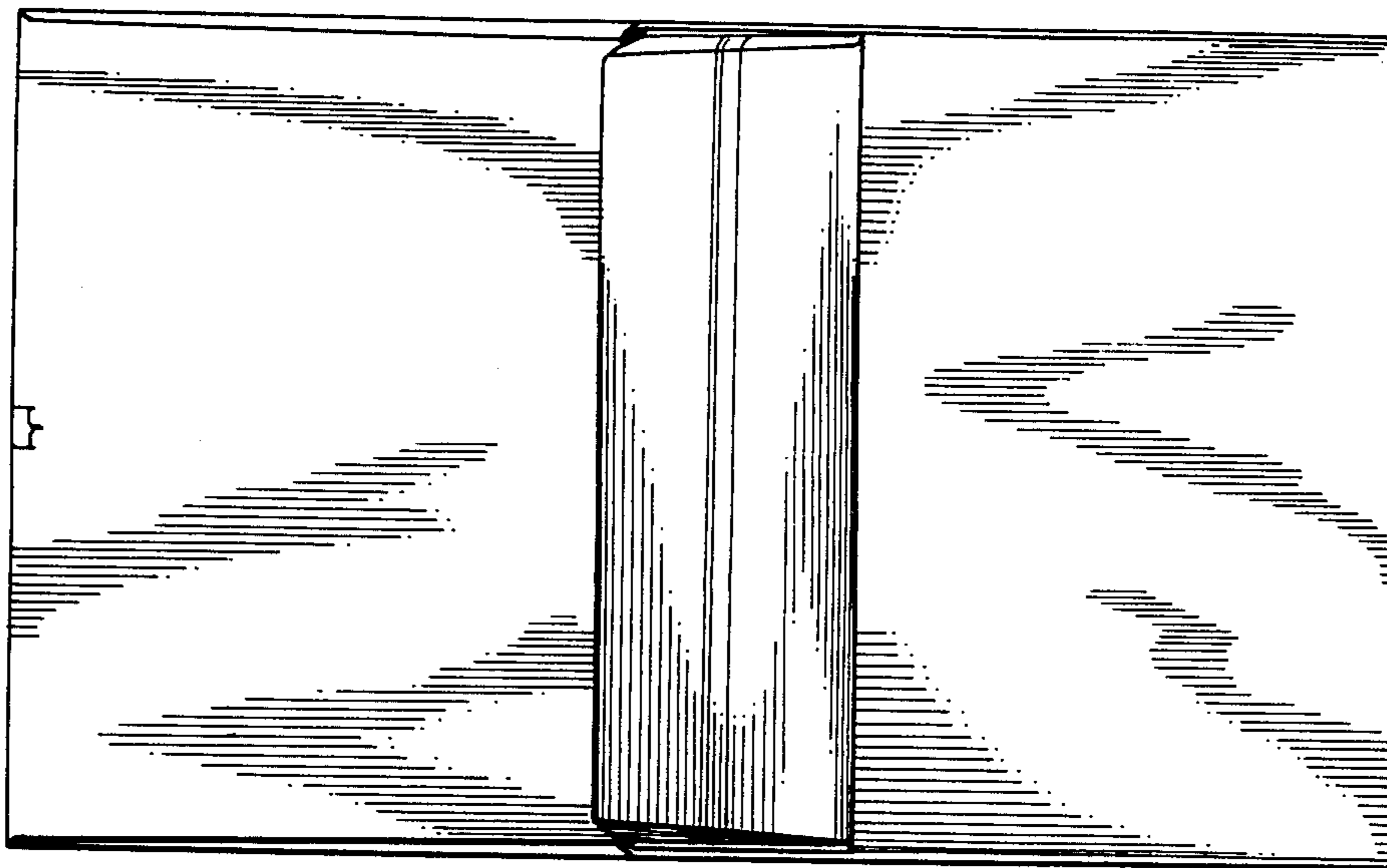


FIG. 4

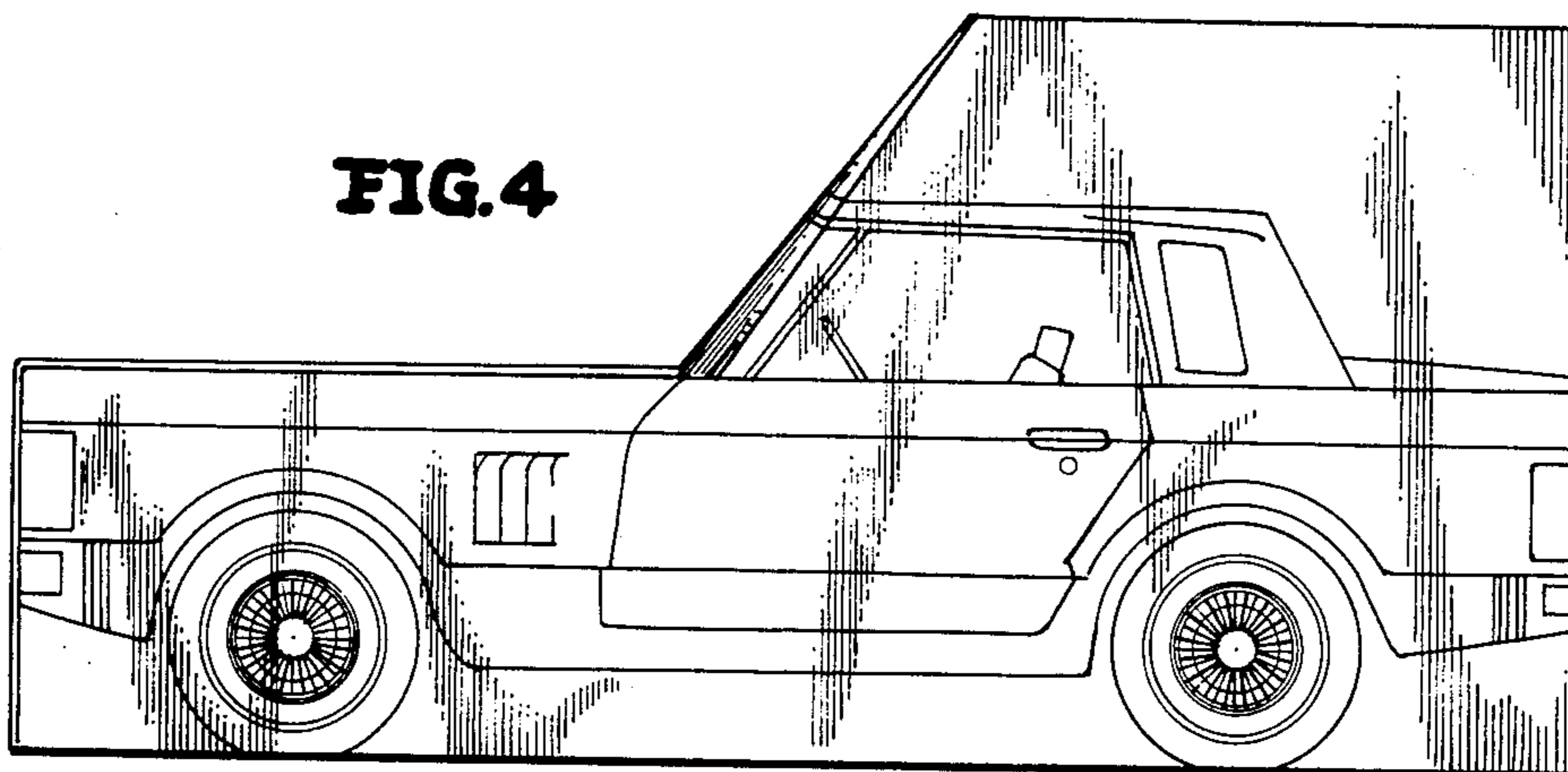


FIG. 5

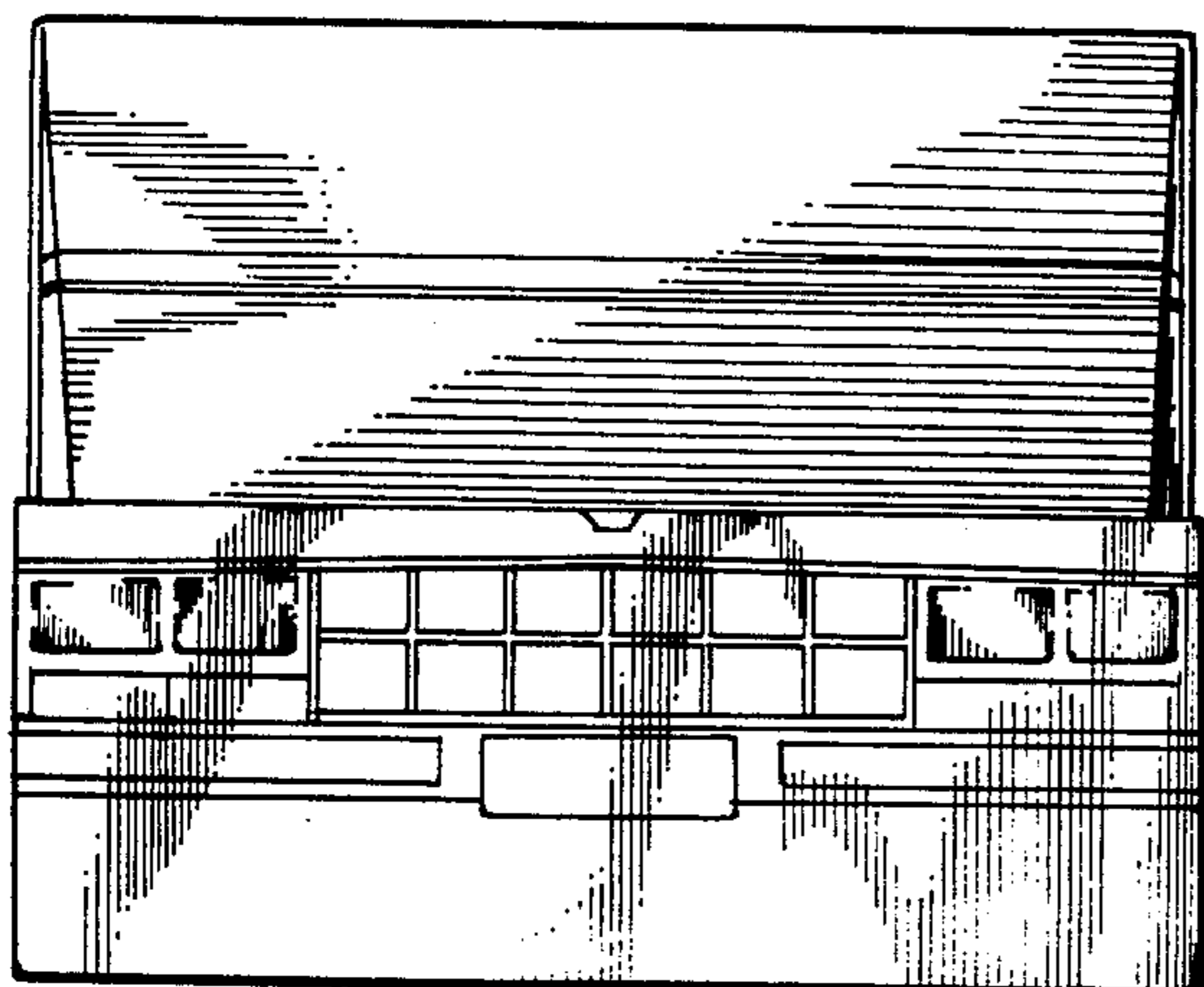


FIG. 6

