

[54] POST AND BEAM CONNECTOR

[75] Inventor: Tyrell T. Gilb, Berkeley, Calif.

[73] Assignee: Simpson Manufacturing Co., Inc., San Leandro, Calif.

[\*\*] Term: 14 Years

[21] Appl. No.: 910,427

[22] Filed: May 30, 1978

[51] Int. Cl. .... D8-08

[52] U.S. Cl. .... D8/354; D8/366; D8/380

[58] Field of Search ..... D8/354, 363, 366, 373, D8/376, 380, 382; 403/230, 231, 232.1, 235, 237, 187; 52/721, 714, 715, 370

[56] References Cited

U.S. PATENT DOCUMENTS

1,848,085 3/1932 Eisenschmidt ..... D8/380  
3,357,148 12/1967 Turner ..... 52/715 X

OTHER PUBLICATIONS

Sweet's 1977 Architectural File: Catalog Code 6.6/Si, Silver Catalog S-77, pp. 14, 15, Models BC4, PB44, copyright 1976.

Primary Examiner—Peter Feldman

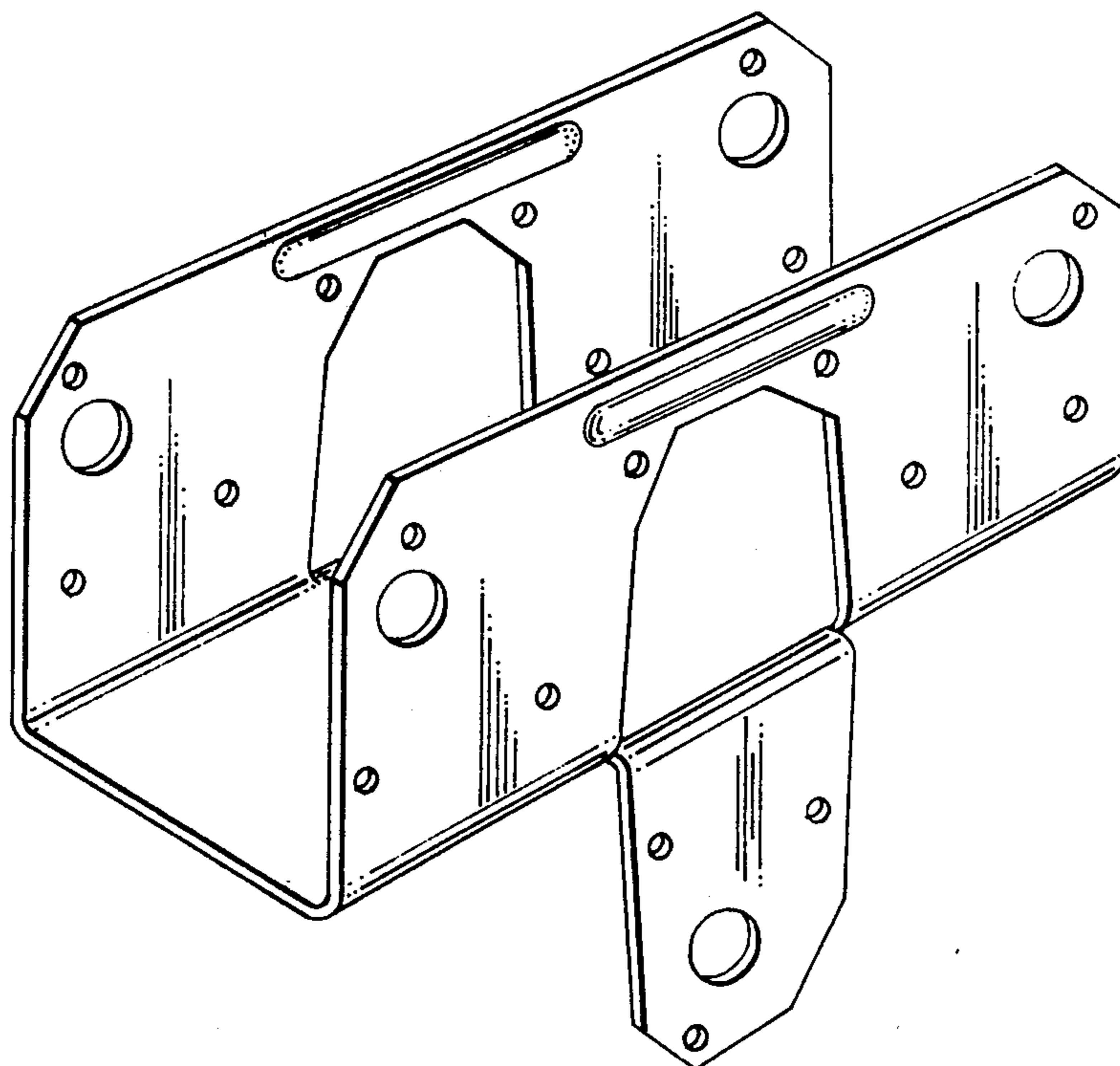
Attorney, Agent, or Firm—James R. Cypher

[57] CLAIM

The ornamental design for a post and beam connector, as shown.

DESCRIPTION

FIG. 1 is a perspective view of a post and beam connector showing my new design;  
FIG. 2 is a rear elevational view thereof;  
FIG. 3 is a left side elevational view thereof;  
FIG. 4 is a top plan view thereof;  
FIG. 5 is a right side elevational view thereof;  
FIG. 6 is a bottom plan view thereof;  
FIG. 7 is a perspective view of a second embodiment of FIG. 1;  
FIG. 8 is a rear elevational view thereof;  
FIG. 9 is a left side elevational view thereof;  
FIG. 10 is a top plan view thereof;  
FIG. 11 is a right side elevational view thereof;  
FIG. 12 is a bottom plan view thereof;  
FIG. 13 is a perspective view of a third embodiment of FIG. 1;  
FIG. 14 is a rear elevational view thereof;  
FIG. 15 is a left side elevational view thereof;  
FIG. 16 is a top plan view thereof;  
FIG. 17 is a right side elevational view thereof; and  
FIG. 18 is a bottom plan view thereof.



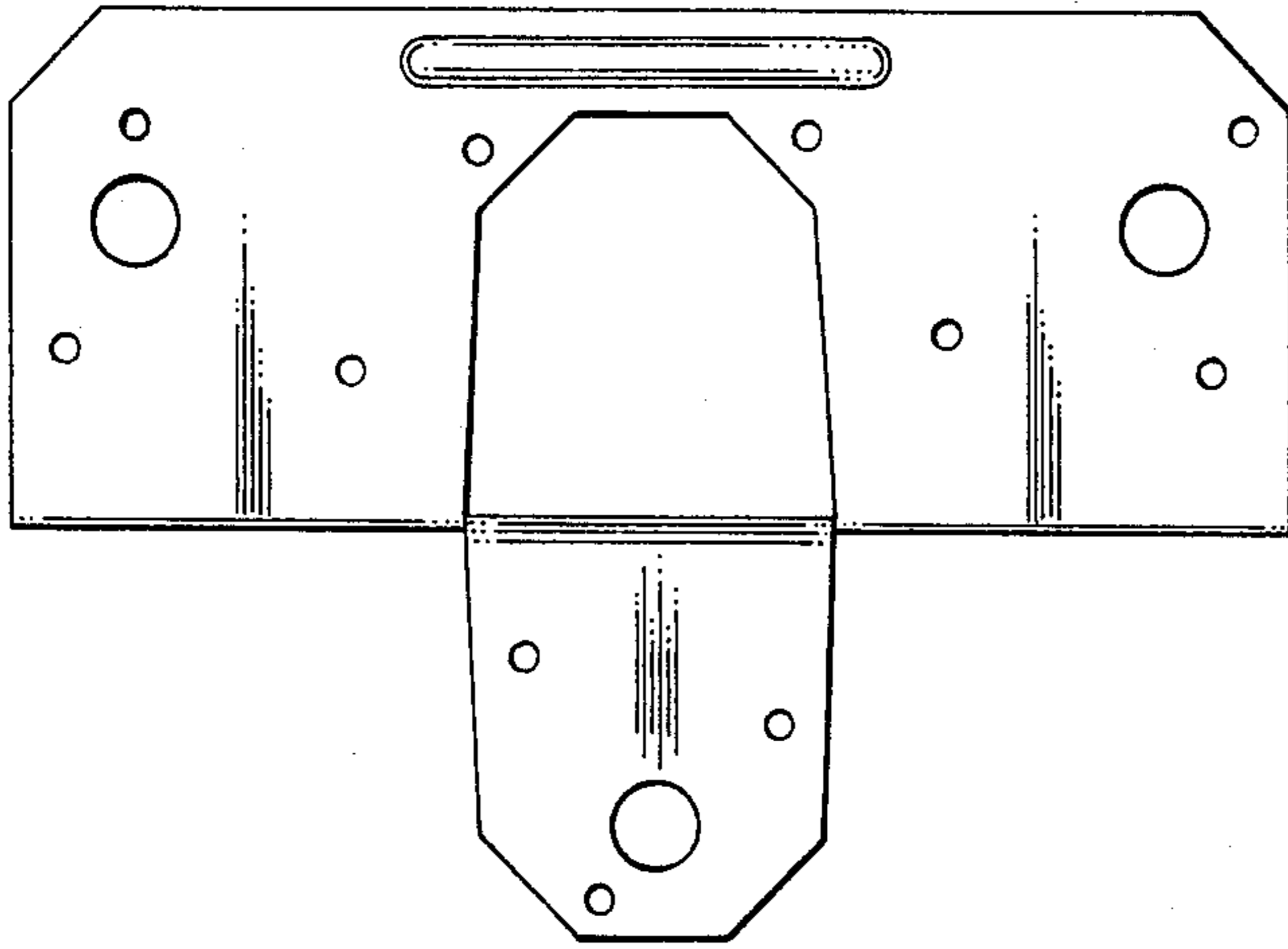


FIG. 2

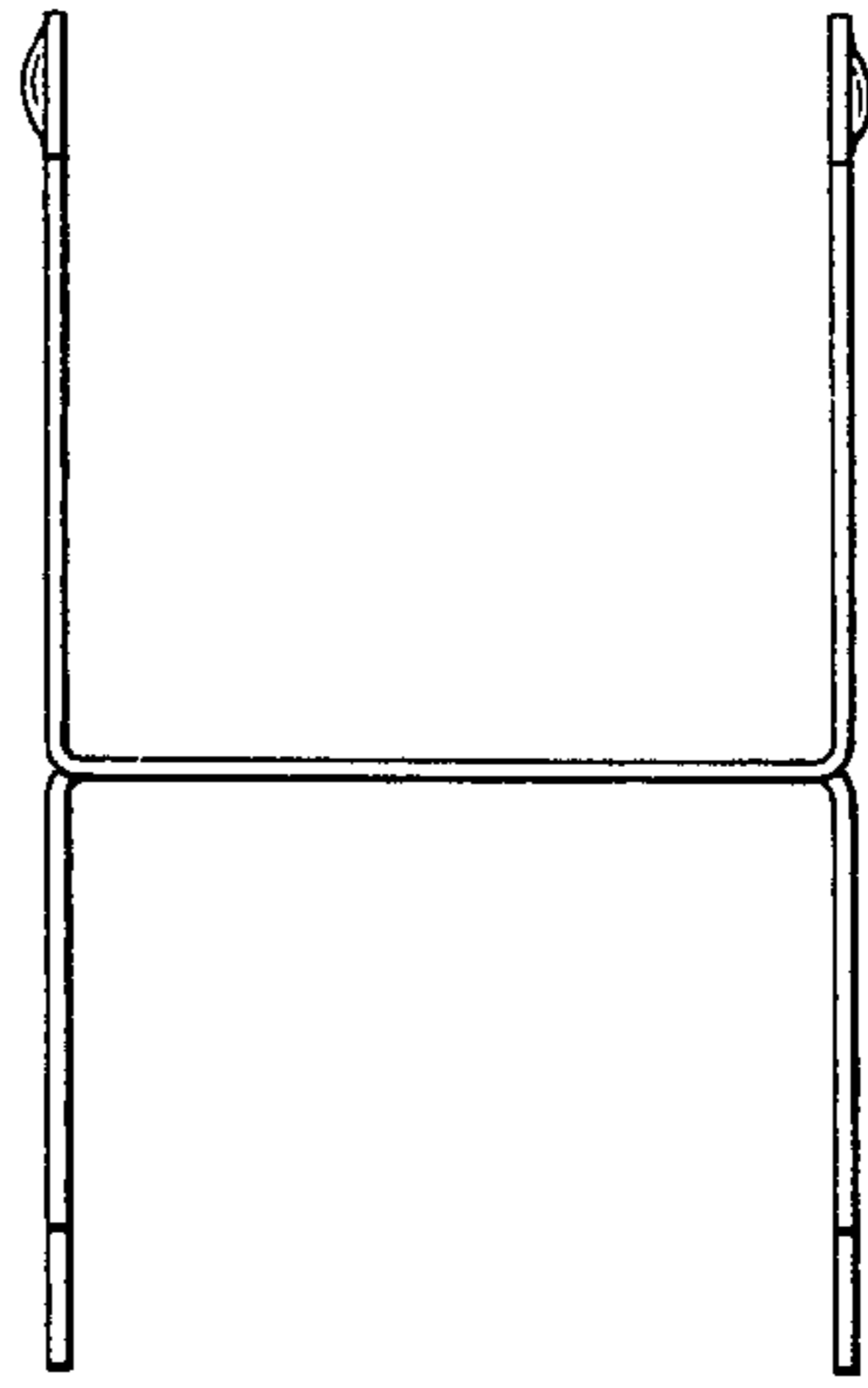


FIG. 3

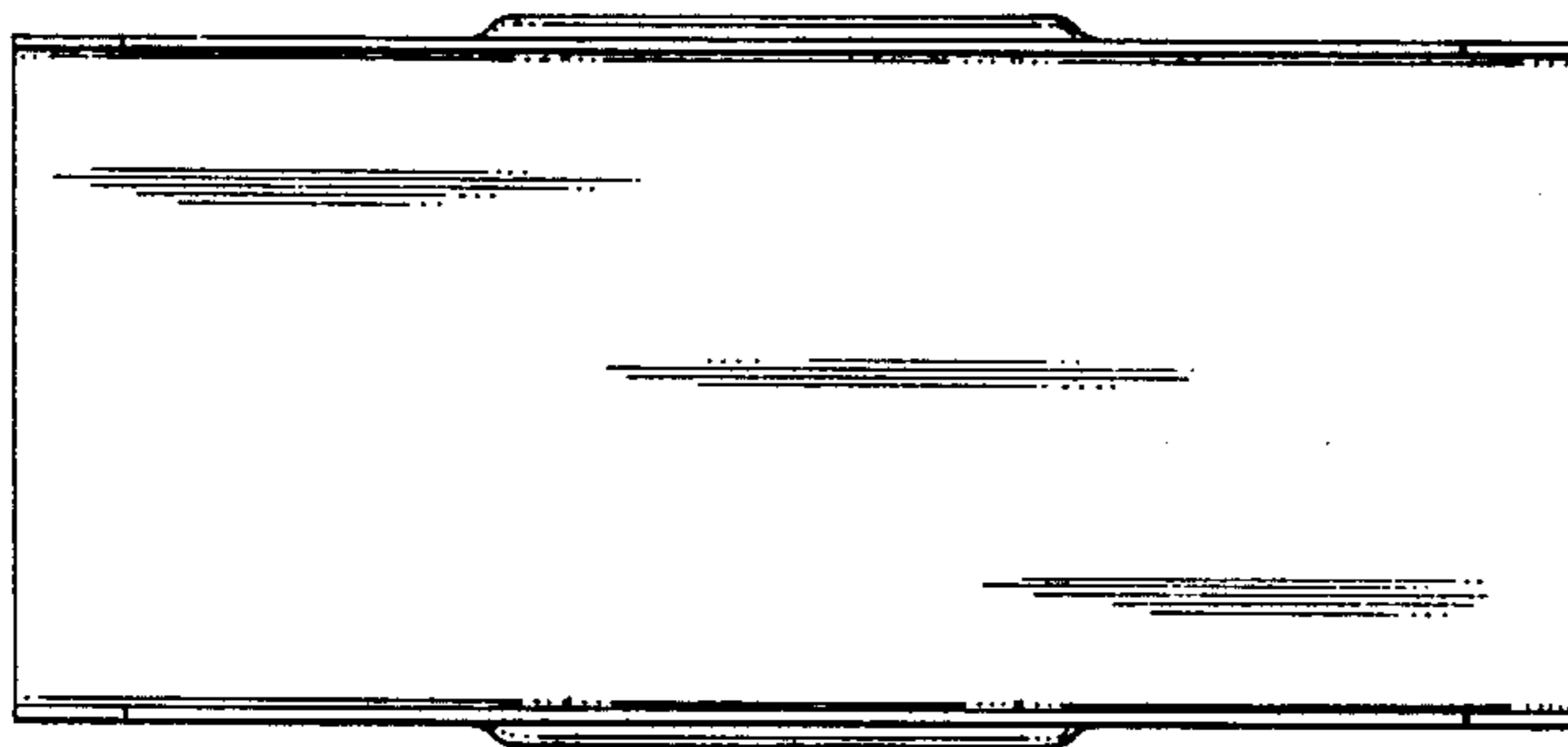


FIG. 4

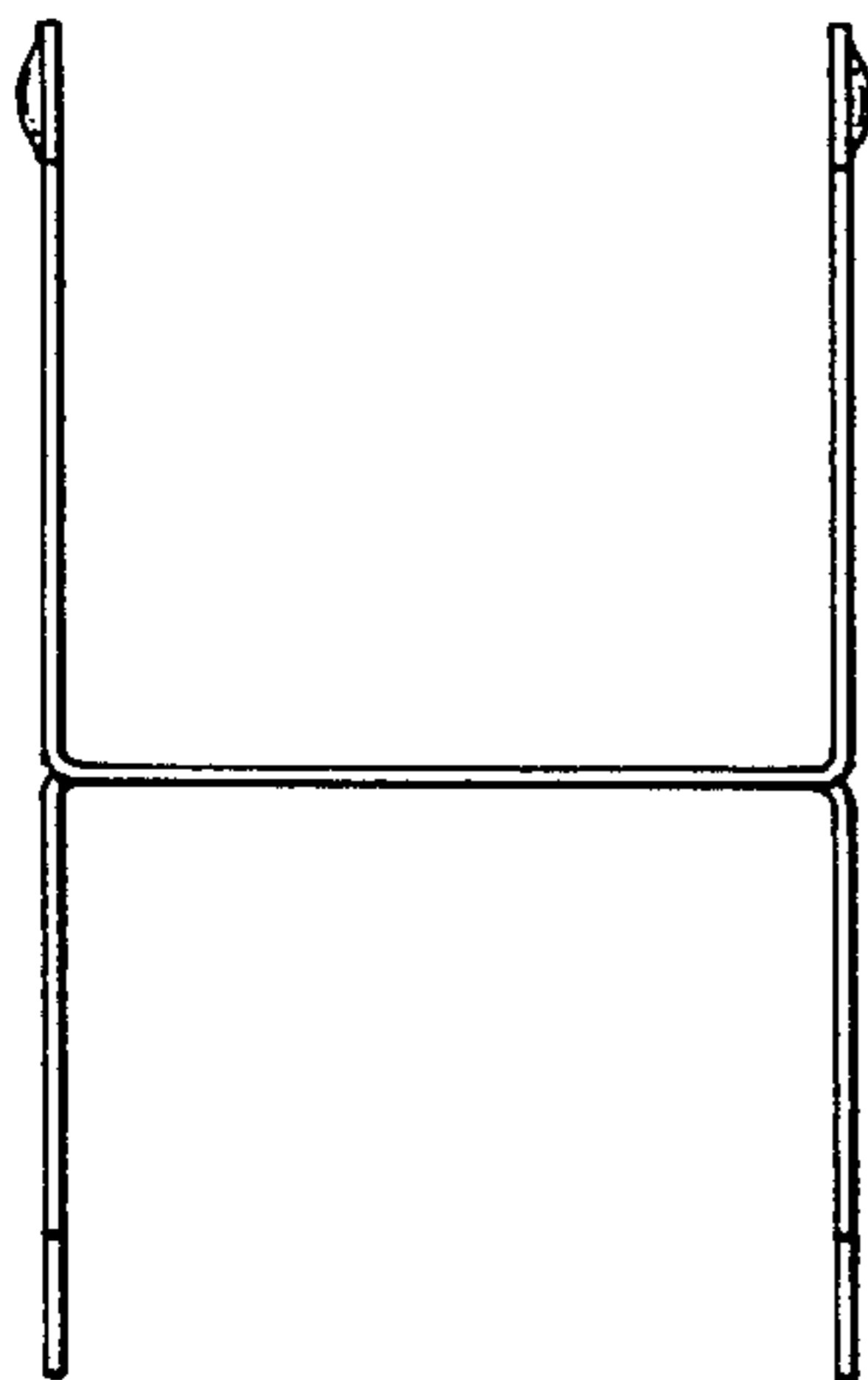


FIG. 5

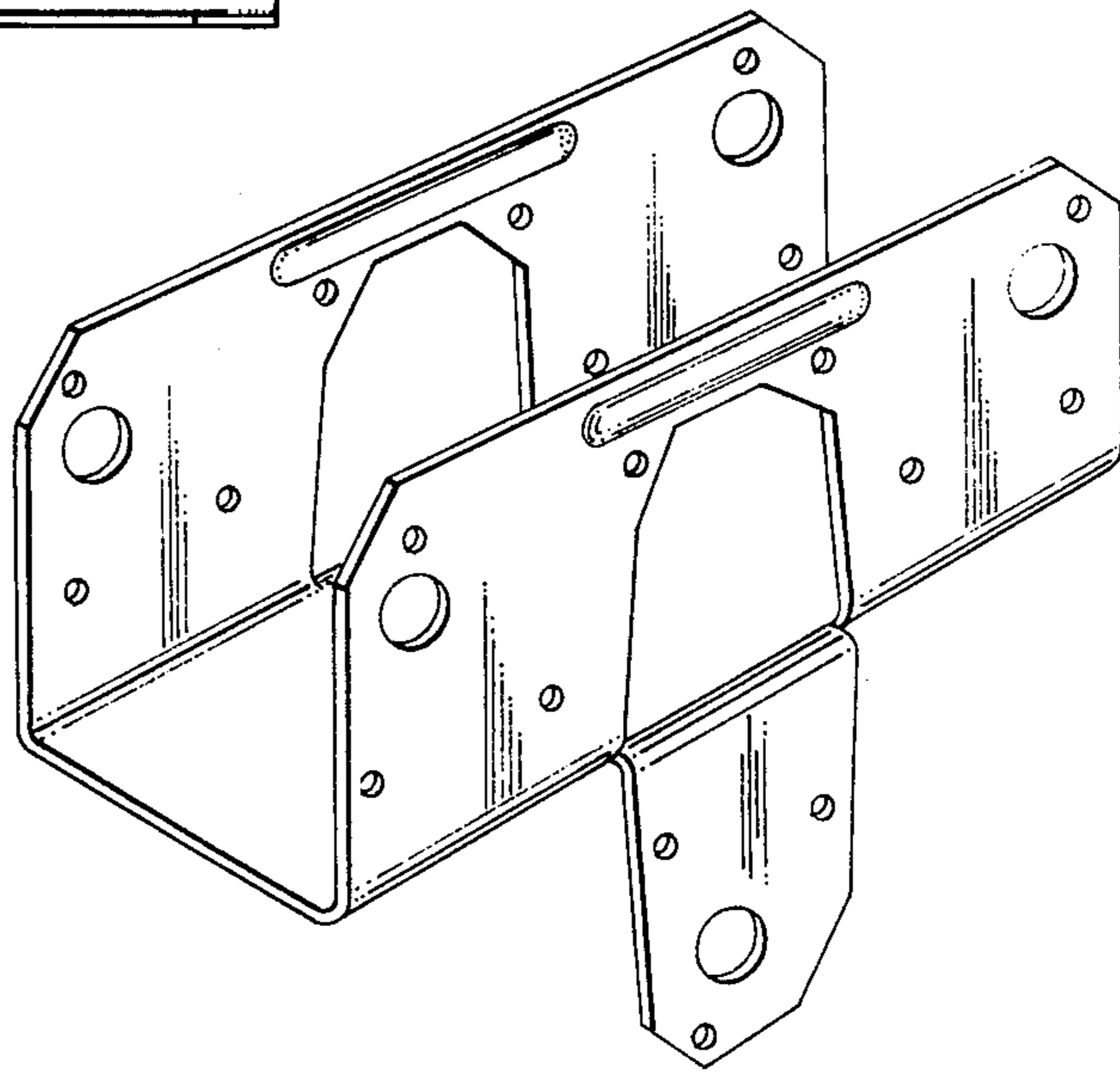


FIG. 1

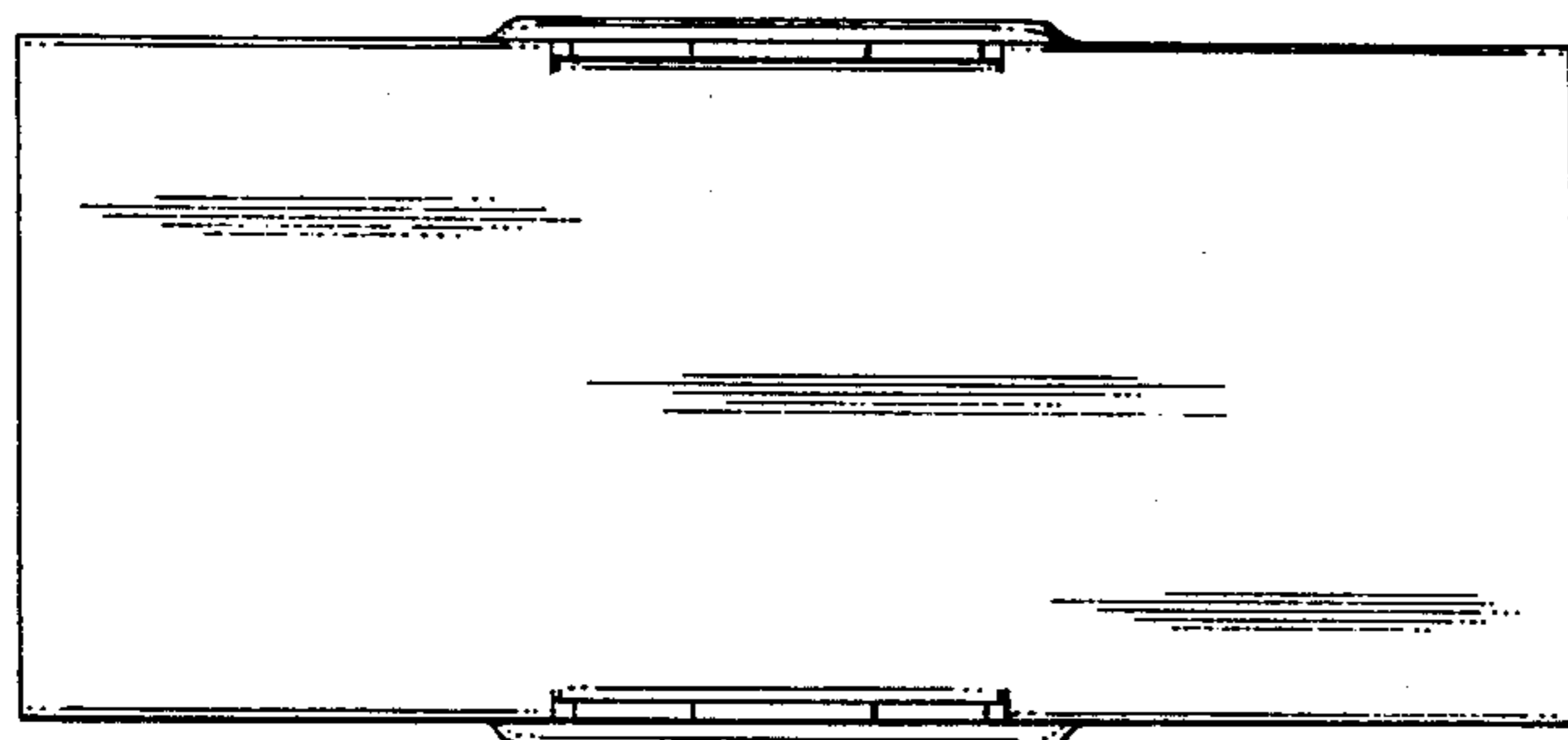


FIG. 6

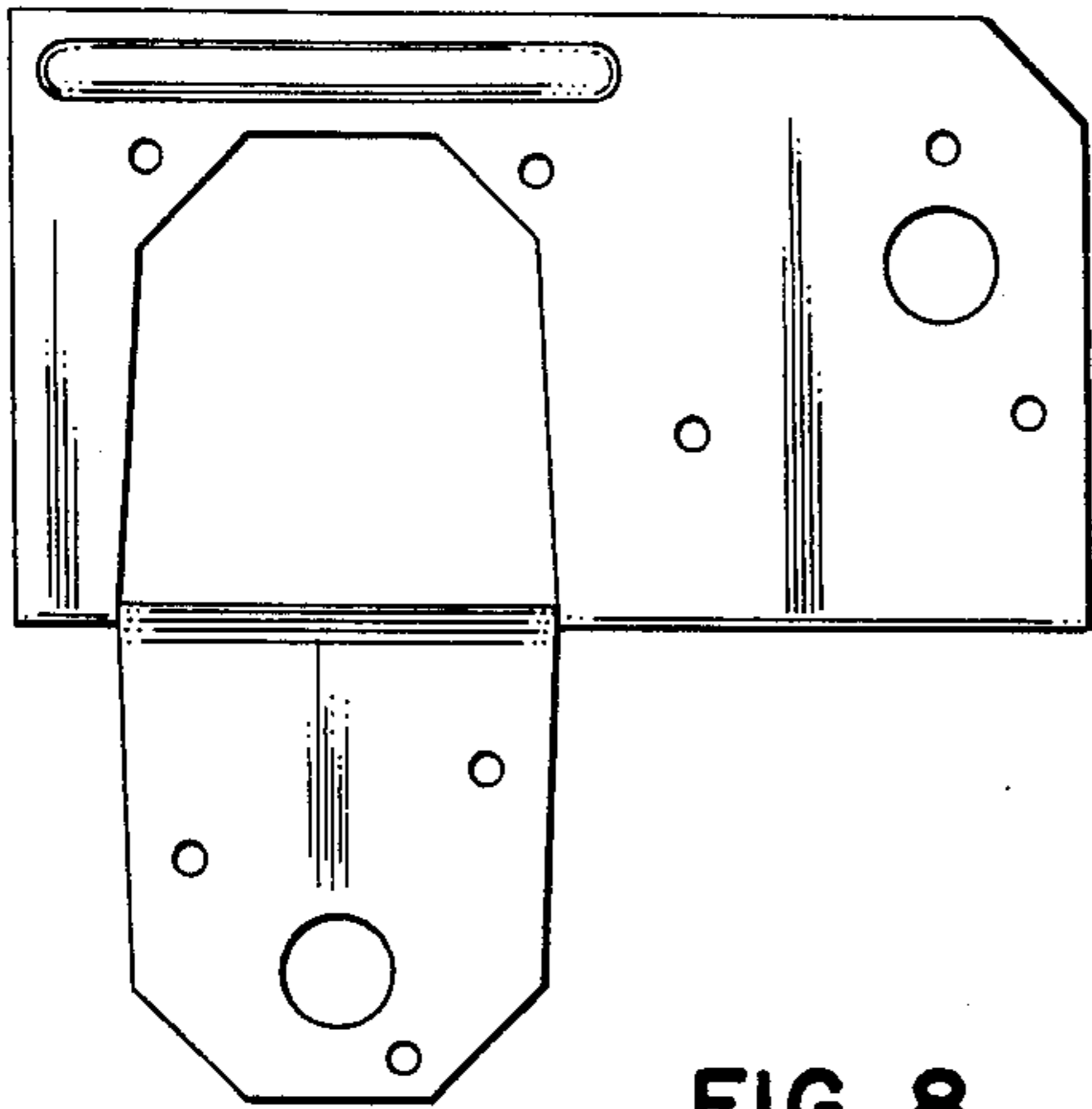


FIG. 8

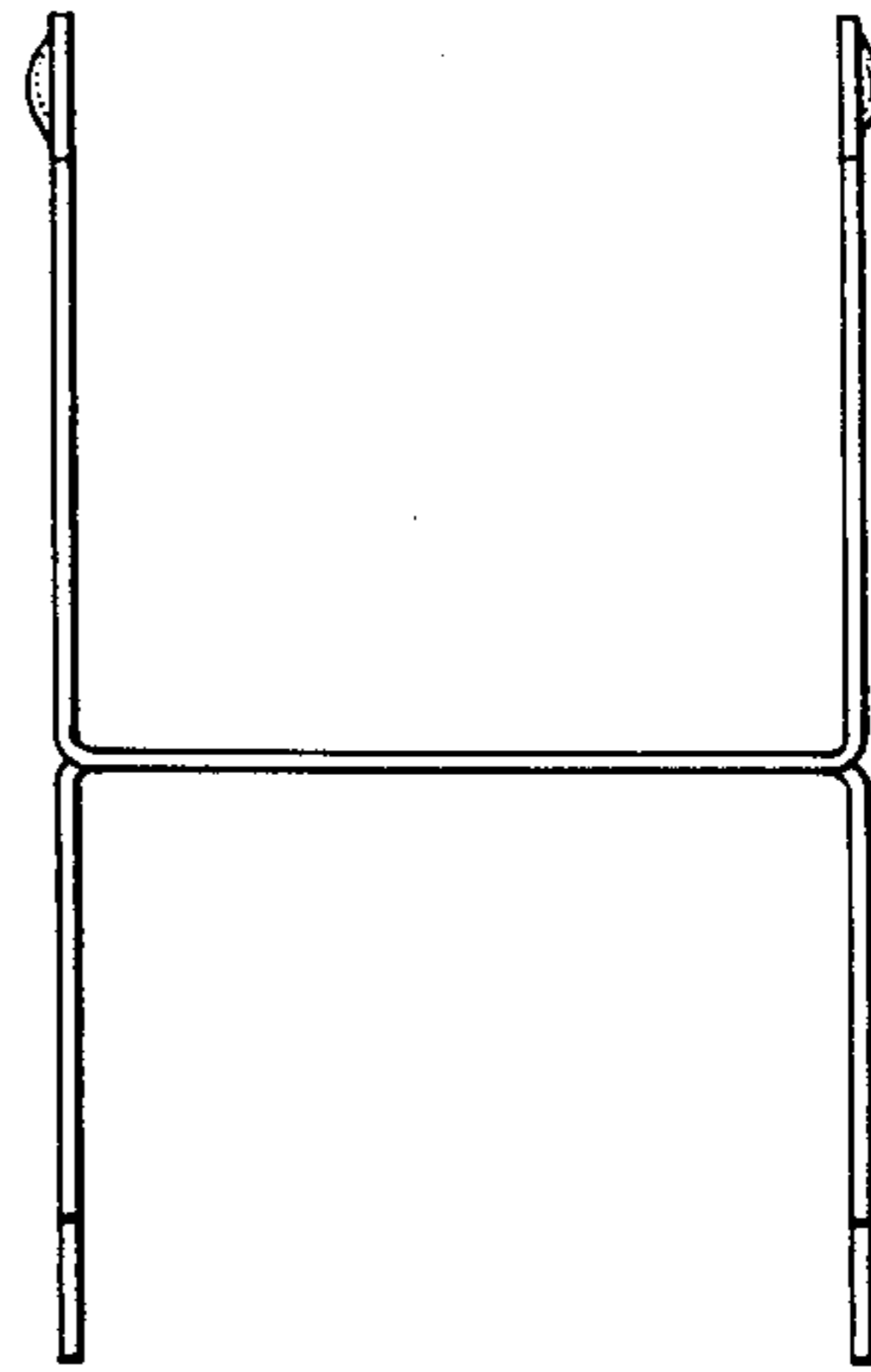


FIG. 9

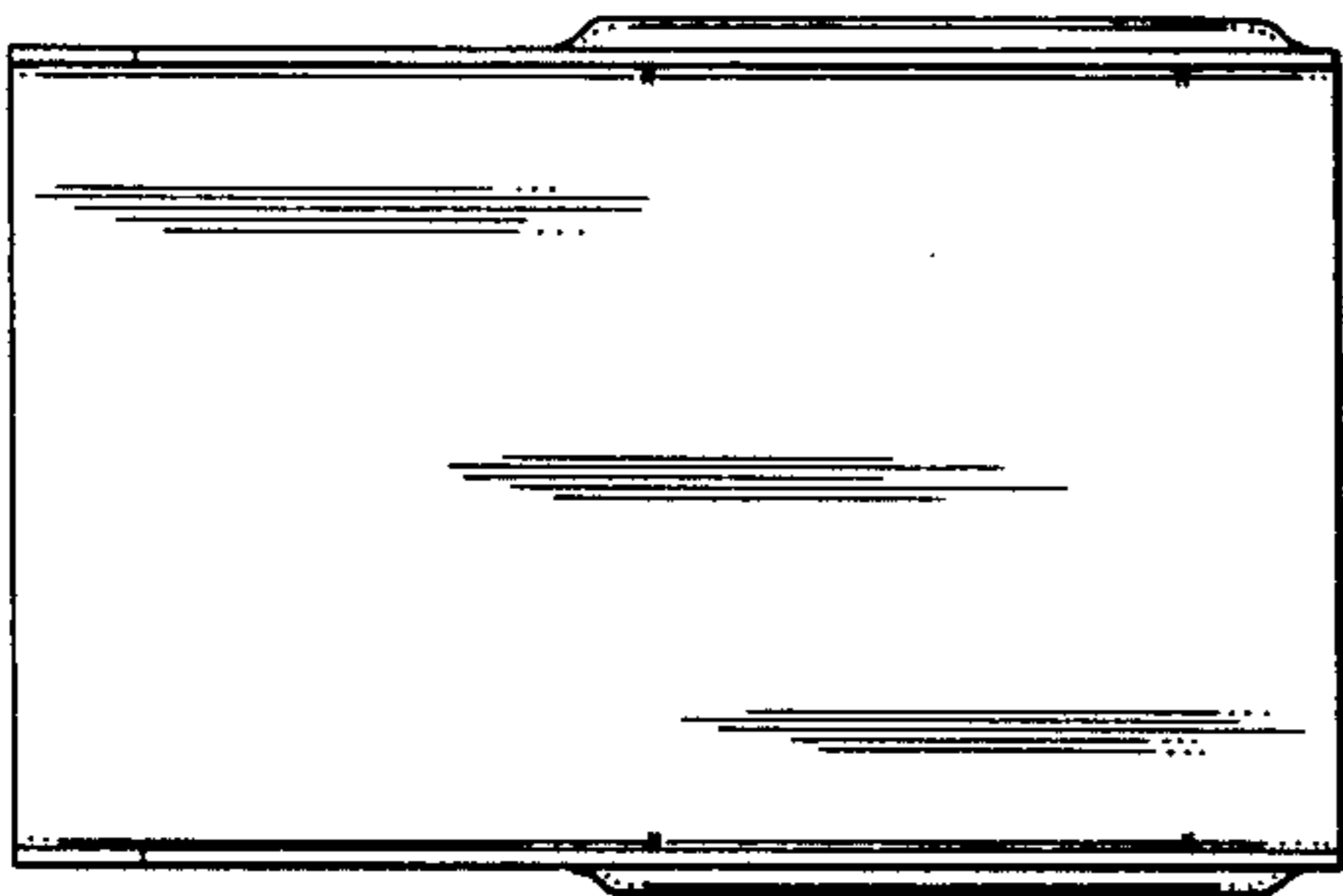


FIG. 10

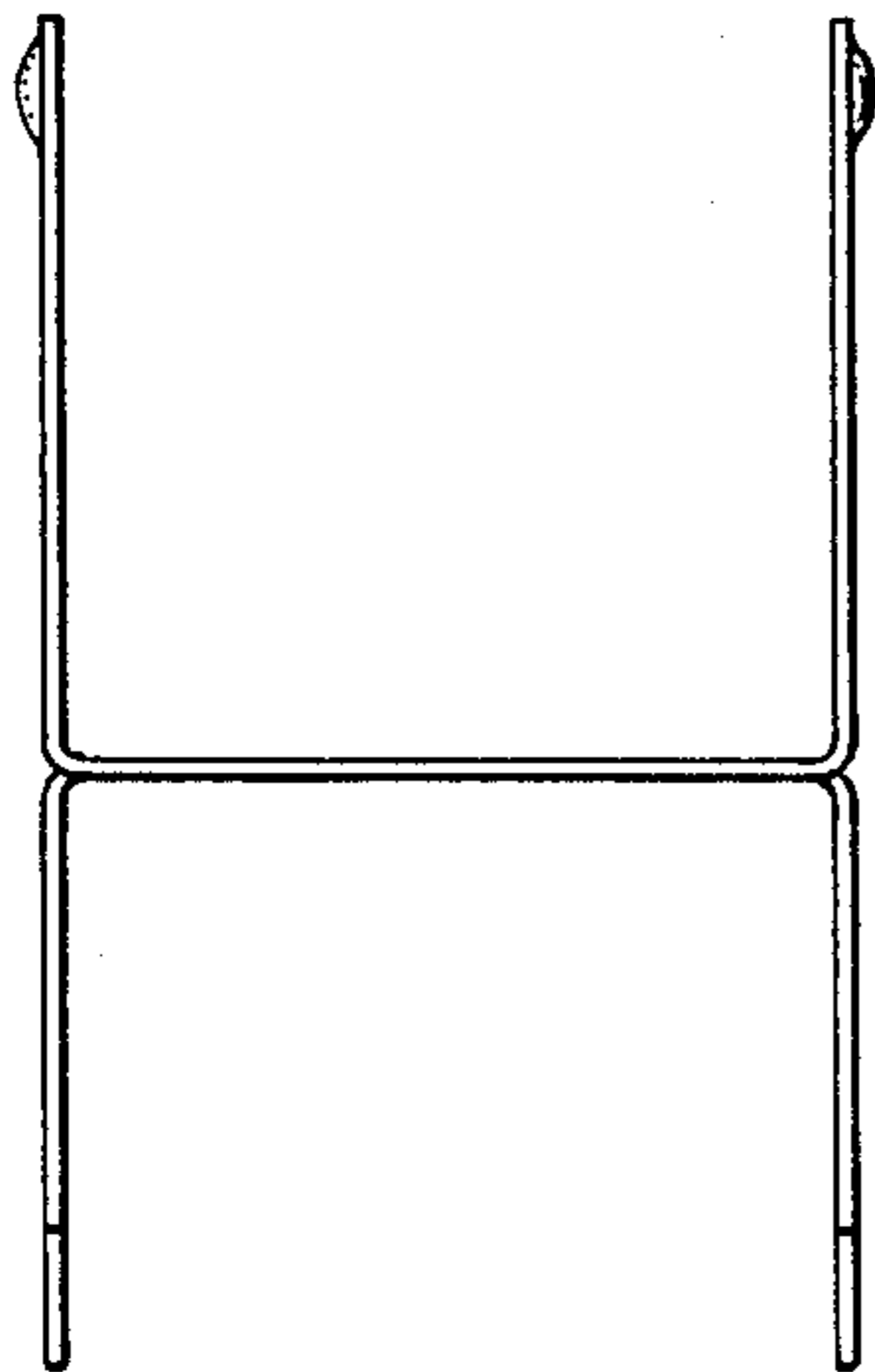


FIG. 11

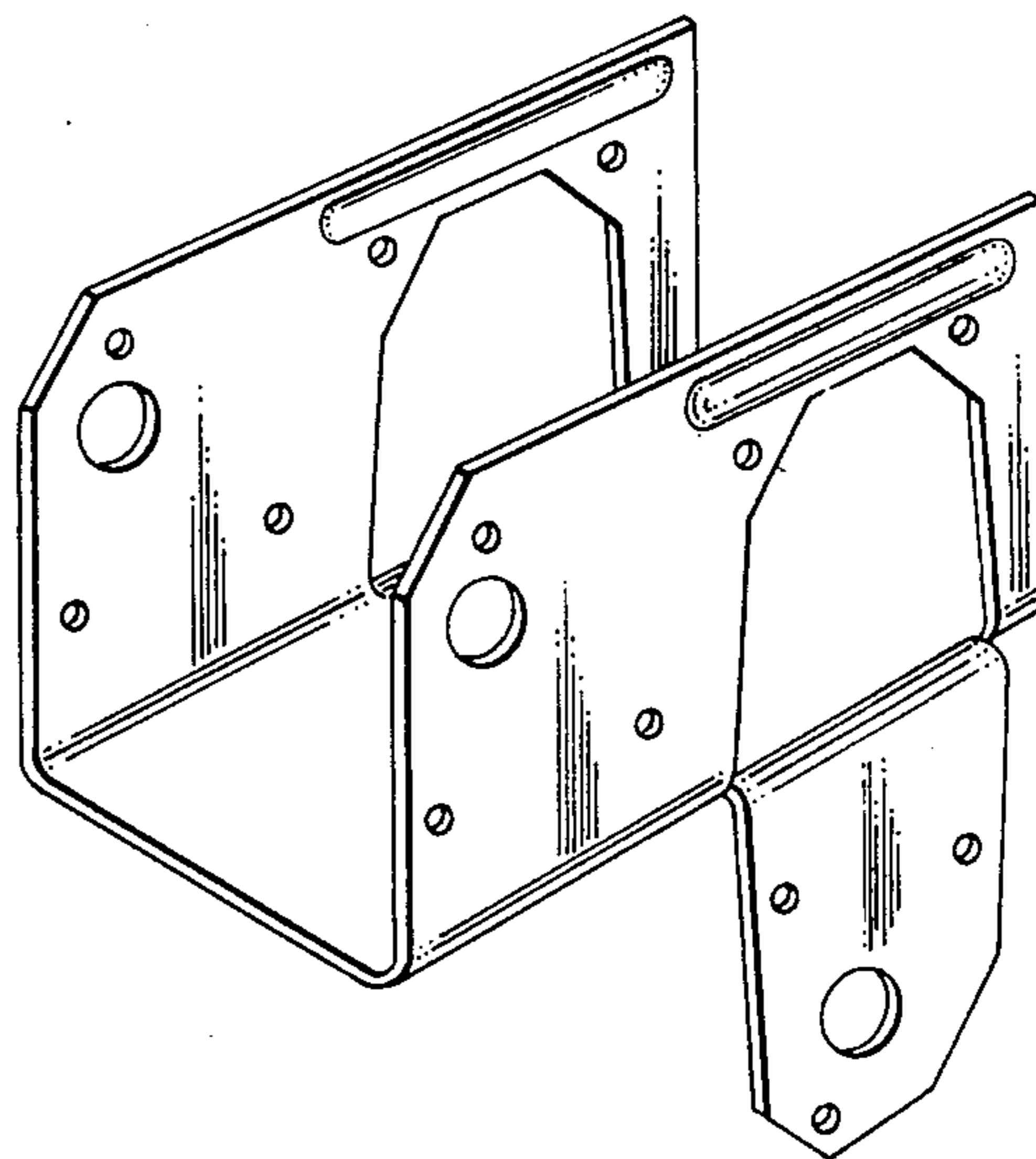


FIG. 7

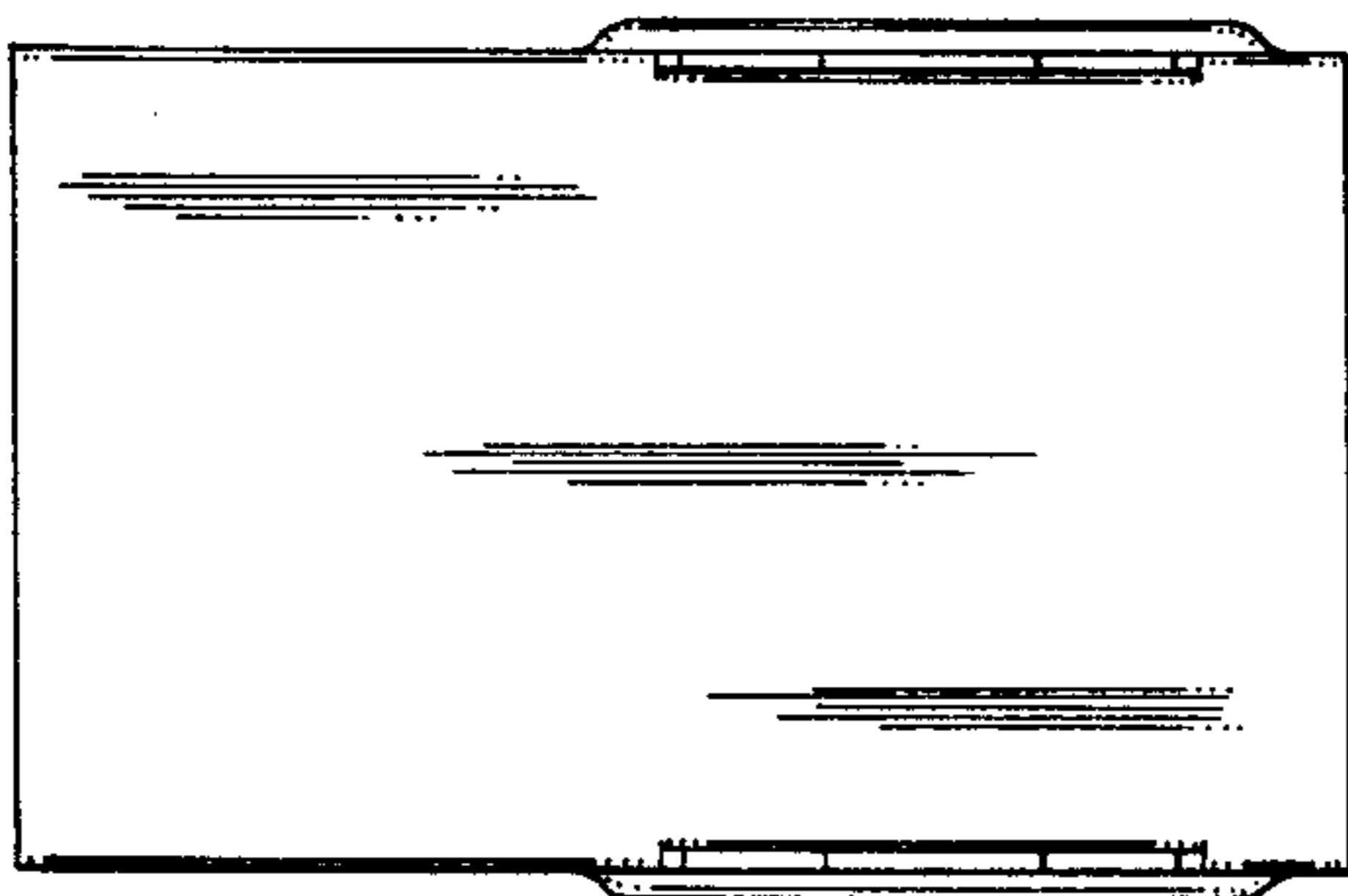


FIG. 12

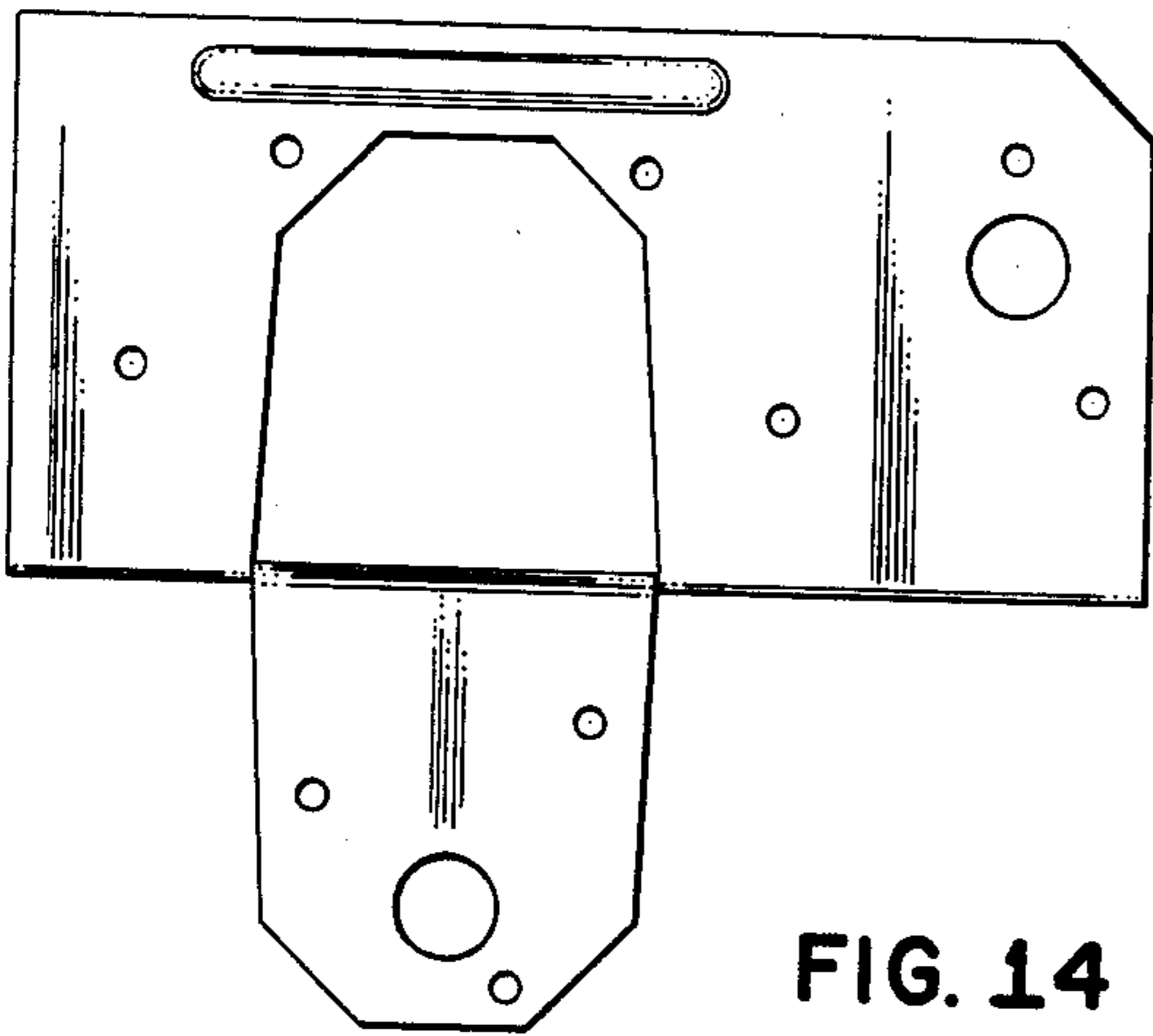


FIG. 14

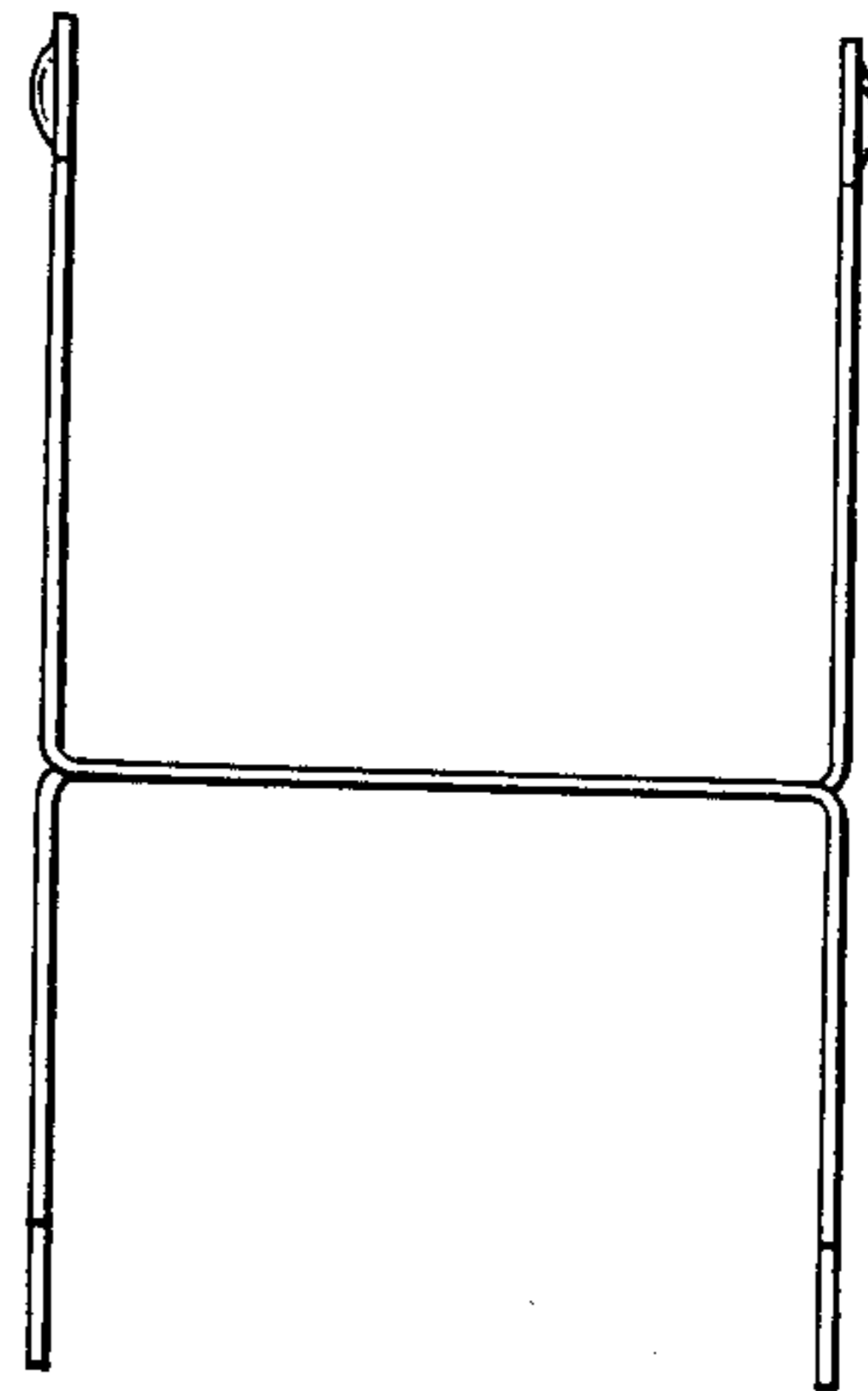


FIG. 15

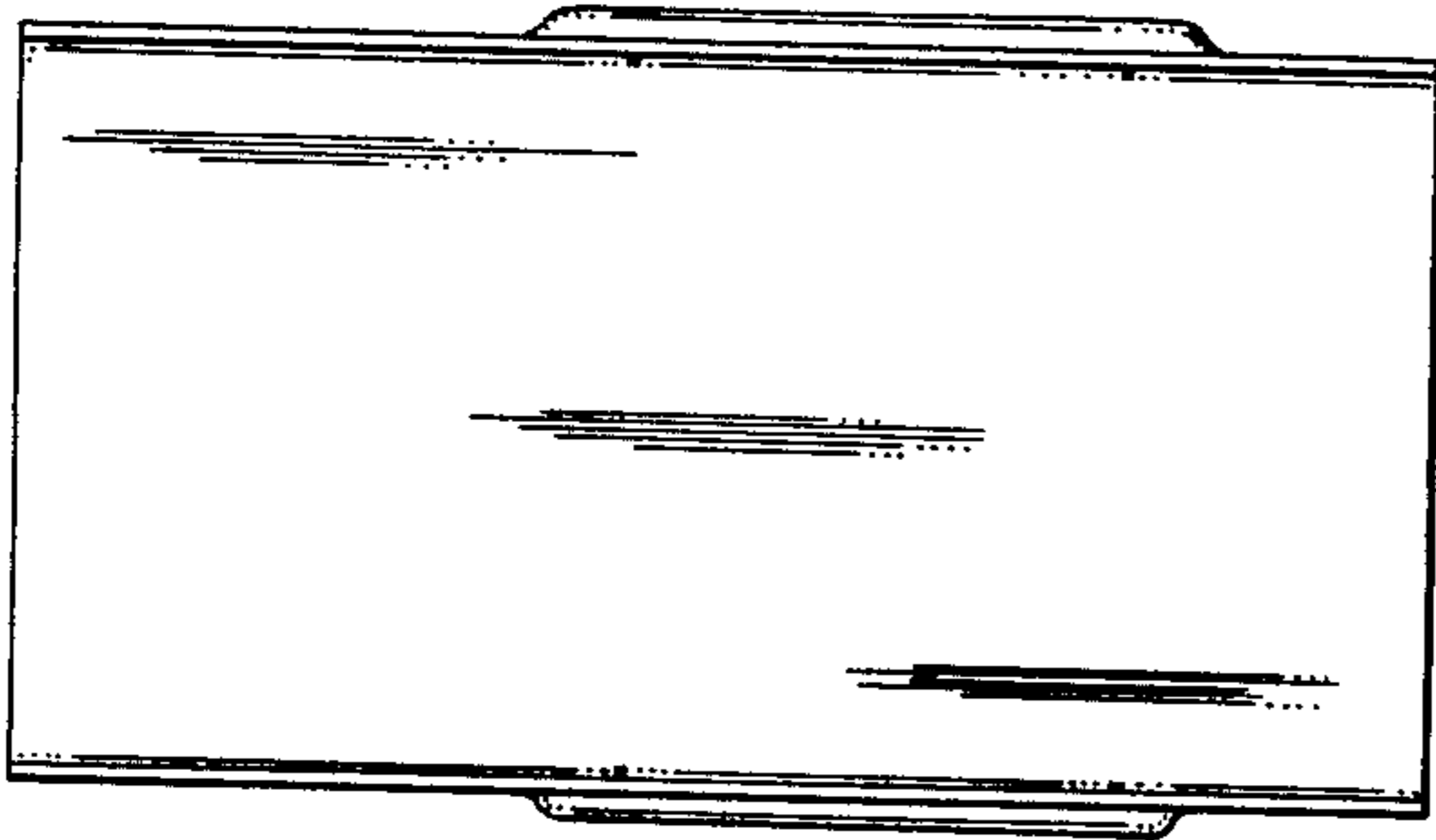


FIG. 16

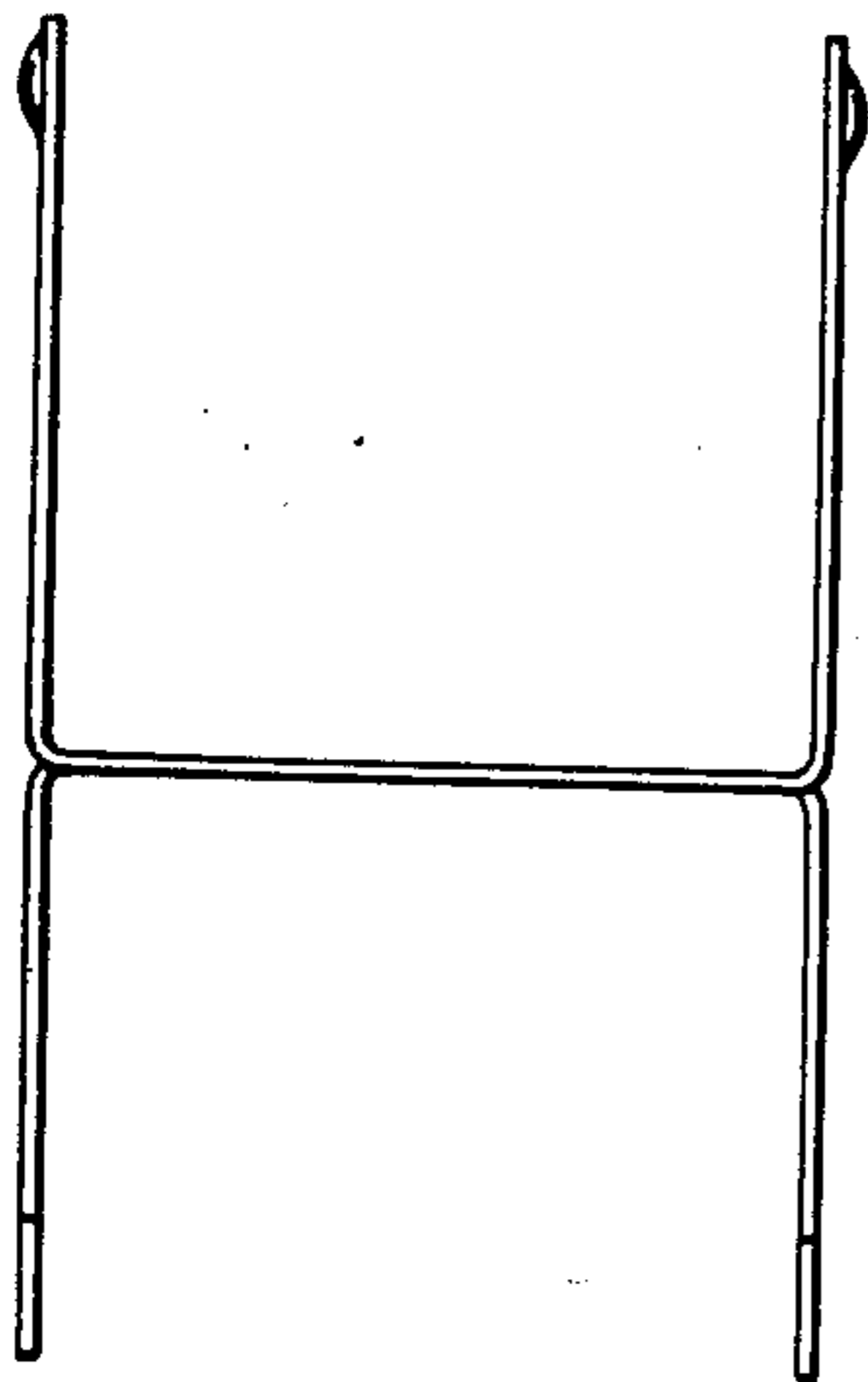


FIG. 17

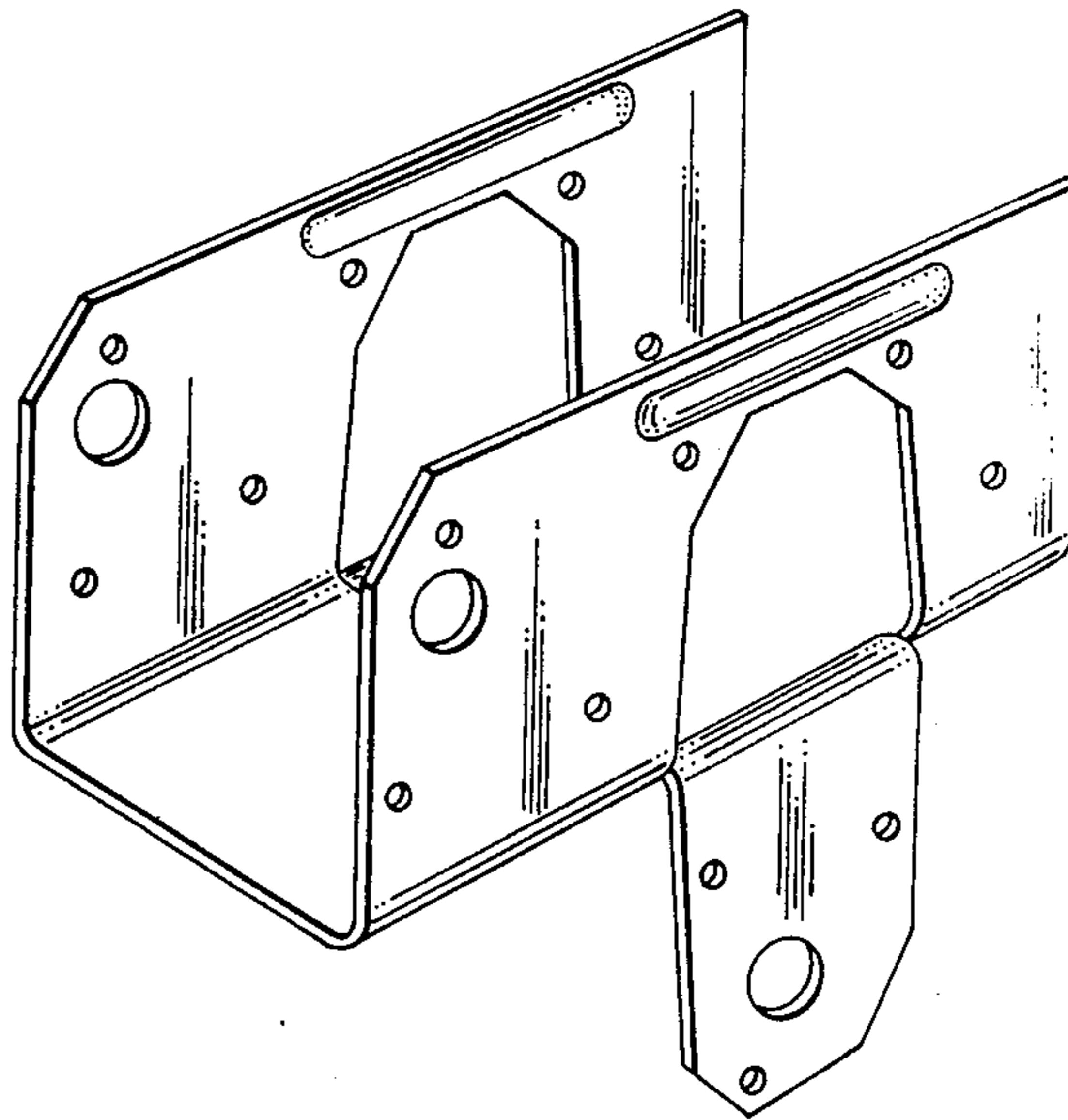


FIG. 13

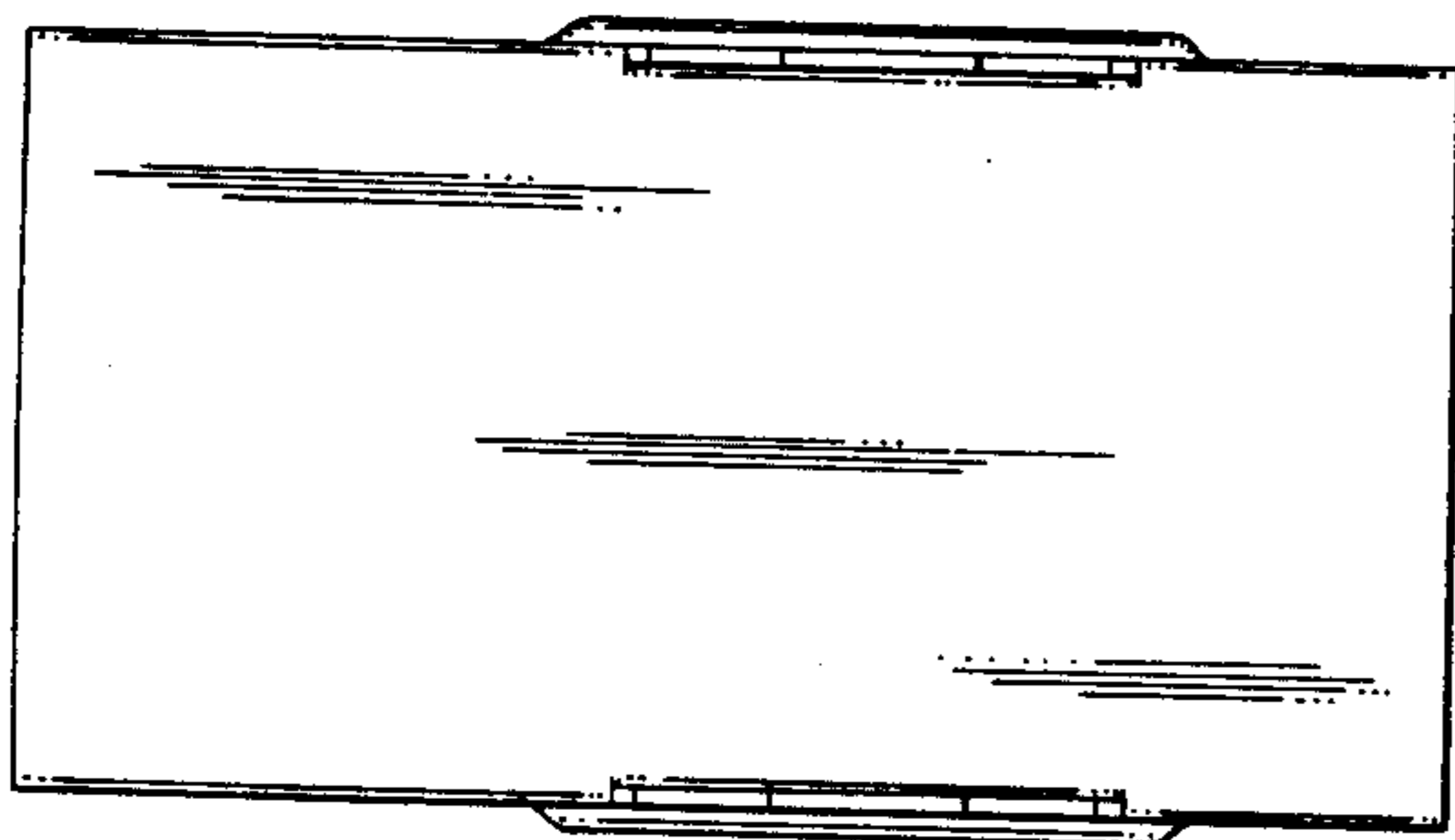


FIG. 18